







A PINCH OF FLAVOR ABOVE THE REST

GRILLS

SUMMERSET GRILLS

A grill is the soul of the outdoor kitchen, where fire meets flavor, and every meal becomes an experience. Whether searing, smoking, or slow-roasting, Summerset Grills transforms your space into a destination for effortless entertaining and indulgence. Crafted for those who appreciate the art of outdoor cooking, our grills bring unmatched performance and sophistication to every gathering under the open sky.





FEATURED

- 42" QUEST GRILL
- 24" OUTDOOR RATED REFRIGERATOR
- 42" DOUBLE ACCESS DOOR
- 17" TRIPLE STORAGE DRAWER

QUEST

NEW PRODUCT






Outdoor cooking and dining is more than fire and heat—it's a pursuit of flavor, experience, and connection. The Quest brings commercial-grade performance and striking design to your space, turning every meal into a masterpiece. Designed for those who demand more than just heat, the Quest delivers effortless control and striking design, ensuring that every meal is an experience worth savoring. Whether it's a spontaneous dinner under soft evening light or an afternoon spent indulging in the joy of slow-roasted perfection, this commercial-grade grill is your invitation to cook without limits, transforming the ordinary into unforgettable.

30" | 36" | 42"

QST30 / QST36 / QST42





-  #304 STAINLESS STEEL CONSTRUCTION
-  13,000 BTU ANGLED INFRARED BACK BURNER W/ THERMOCOUPLE SAFETY SENSOR
-  INTERIOR HALOGEN COOKING LIGHTS
-  EXTERIOR WATERFALL LED STRIP LIGHTING + WHITE TO RED BEZEL LIGHTING INDICATING ON/OFF BURNER STATE
-  18,000 BTU #304 STAINLESS STEEL U-TUBE BURNERS
-  MULTI-POSITION WARMING RACKS (QST30/36 X2 / QST42 X3)



Additional Features

- Removable, Dishwasher-Safe Drip Tray
- 8mm Square Cooking Grates
- Heat Zone Separators
- Electronic Ignition & Manual Flash Tube
- Smoker Box
- Drop-In Griddle Plate
- Multi-Position Rib Rack
- Warming Rack Storage in Full-Width Drip Tray
- Rotisserie Kit w/ 40lb Motor
- Weatherproof Vinyl Grill Head Cover
- Double-Lined Spring Assisted Hood
- Easy-Clean Briquette System
- ETL certified
- Gold Standard Lifetime Warranty

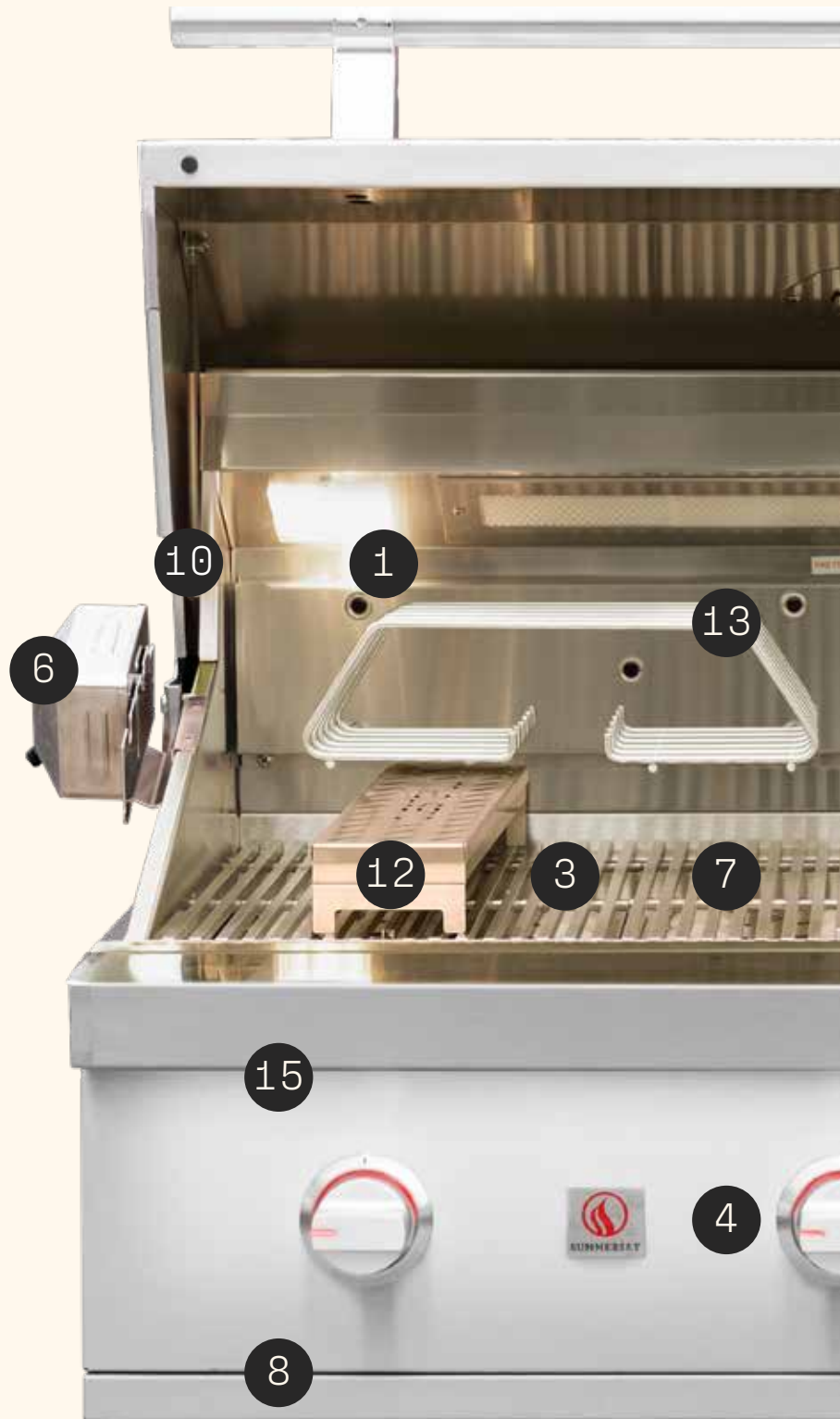


Optional Accessories

- 18,000 BTU Drop-In IR Burner (IRB-QST)
- Side & Power Burners (SB1, SB2, SB2PRO, PB2PRO)
- Grill Liners (GL-QST30/36/42)
- Wind Guards (SSWG-36, SSWG-48)
- Freestanding Carts (CART-QST30/36/42)
- Weatherproof Vinyl Freestanding Cart Covers (CARTCOV-QST30D/36D/42D)

QUEST

QST30 / QST36 / QST42



*ROTISSERIE KIT NOT SHOWN, INCLUDED WITH PURCHASE

FEATURES

1. Interior Halogen Lighting
2. Heat Zone Separators
3. Easy-Clean Briquette System
4. Electronic Ignition

5. 18,000 BTU Stainless Steel U-Tube Burners
6. Rotisserie Kit w/ 40 lb. Motor - *Not Shown
7. Heavy-Duty 8mm Square Cooking Grates
8. Full-Width Drip Tray



#304 STAINLESS STEEL FULL-WIDTH HOOD HANDLE



MULTI-POSITION RIB RACK



MULTI-POSITION WARMING RACKS



WHITE TO RED BEZEL LIGHTING INDICATING ON/OFF BURNER STATE



ROTISSERIE KIT W/ 40 LB. MOTOR

- 9. 13,000 BTU Infrared Back Burner
- 10. Double-Lined Spring Assisted Hood
- 11. #304 Stainless Steel Full-Width Hood Handle
- 12. Smoker Box

- 13. Multi-Position Rib Rack
- 14. Multi-Position Warming Racks
- 15. Waterfall LED Strip
- 16. Drop-In Griddle Plate





TRL PRO

REDESIGNED PRODUCT

Your outdoor space deserves a centerpiece worthy of every gathering. The TRL Pro is more than a grill—it's a statement of craftsmanship and passion. High-performance burners deliver unwavering heat, while precision controls and an infrared back burner unlock endless possibilities—from slow-roasted perfection to high-heat searing. With effortless commercial-grade power and refined design, this grill invites you to slow down, savor, and celebrate an intimate evening or a grand feast beneath open skies. Built for those who demand perfection, this commercial-grade grill transforms flame into flavor, turning everyday moments into extraordinary experiences beneath the open sky.

32" | 40"

TRLPR032 / TRLPR040





#304 STAINLESS STEEL CONSTRUCTION



15,000 BTU INFRARED BACK BURNER



INTERIOR HALOGEN COOKING LIGHTS



EXTERIOR LED LIGHTING + WHITE TO RED BEZEL LIGHTING INDICATING ON/OFF BURNER STATE



20,000 BTU #304 STAINLESS STEEL U-TUBE BURNERS



8MM SQUARE COOKING GRATES



Additional Features

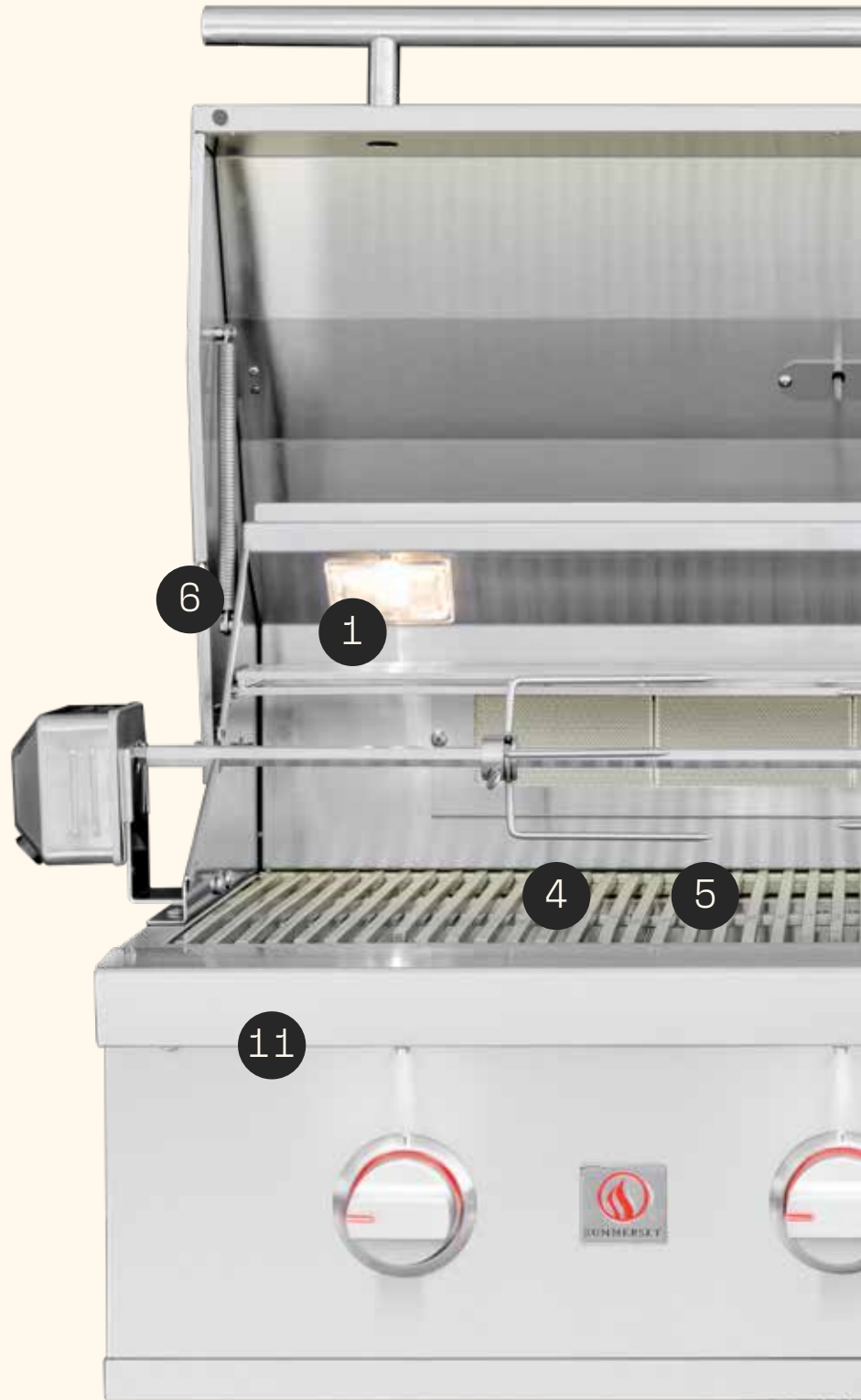
- Heat Zone Separators
- Flame Thrower & Manual Flash Tube Ignition
- Rotisserie Kit w/ 40lb Motor
- Double-Lined Spring Assisted Hood
- Easy-Clean Briquette System
- Gold Standard Lifetime Warranty
- ETL certified

Optional Accessories

- Smoker Box (SSMK-TRL)
- 20,000 BTU Drop-In IR Burner (IRB-TRL)
- Griddle Plate (GP-14)
- Side & Power Burners (SB1, SB2, SB2PRO, PB2PRO)
- Grill Liners (GL-TRL32/40)
- Wind Guards (SSWG-36, SSWG-48)
- Freestanding Carts
(CART-TRL32/40; CART-TRL32-DC/40-DC)
- Weatherproof Vinyl Grill Covers (GRILLCOV-32D/40D)
- Weatherproof Vinyl Freestanding Cart Covers
(CARTCOV-32D/40D)

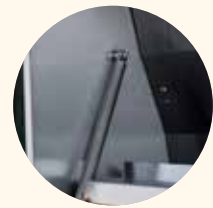
TRL PRO

TRLPR032 / TRLPR040



FEATURES

1. Interior Halogen Lighting
2. Exterior LED Lighting + White to Red Bezel Lighting Indicating On/Off Burner State
3. 8mm Square Cooking Grates
4. Heat Zone Separators
5. Easy Clean Briquette System
6. 20,000 BTU Stainless Steel U-Tube Burners



#304 DOUBLE-LINED
SPRING ASSISTED HOOD



INTERIOR HALOGEN
COOKING LIGHTS



FULL-WIDTH WARMING
RACK & 8MM SQUARE
COOKING GRATES



EASY-CLEAN
BRIQUETTE SYSTEM



EXTERIOR LED LIGHTING
+ WHITE TO RED BEZEL
LIGHTING INDICATING ON/OFF
BURNER STATE

- 7. 15,000 BTU Infrared Back Burner
- 8. Full-Width Warming Rack
- 9. #304 Stainless Steel Full-Width Hood Handle
- 10. Full-Width Drip Tray

- 11. Piezo Ignition

SIZZLER PRO

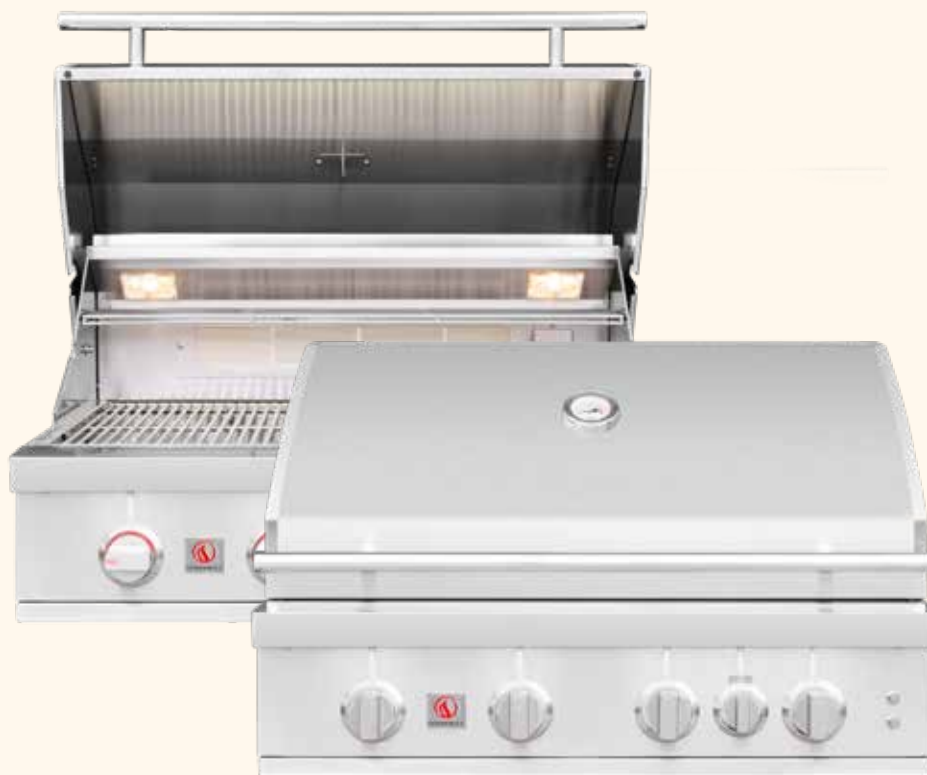
REDESIGNED PRODUCT

Some moments are best savored under the stars. The Sizzler Pro blends commercial-grade power with effortless elegance, making every cookout feel like an event. Engineered for those who appreciate the art of grilling, it features high-powered burners for intense, even heat, precision airflow for perfect sears, and soft interior lighting that keeps the evening going. Whether it's an intimate dinner or a lively weekend feast, the Sizzler Pro delivers unmatched reliability, style, and confidence, turning your outdoor space into a destination for connection, flavor, and celebration.

32" | 40"

SZRPR032 / SZRPR040





#443 STAINLESS STEEL CONSTRUCTION



15,000 BTU INFRARED BACK BURNER



INTERIOR HALOGEN COOKING LIGHTS



EXTERIOR LED LIGHTING + WHITE TO RED BEZEL LIGHTING INDICATING ON/OFF BURNER STATE



14,000 BTU #202 STAINLESS STEEL CAST BURNERS



EASY-CLEAN BRIQUETTE SYSTEM

Additional Features

- 8 mm Round Cooking Grates
- Heat Zone Separators
- Piezo Ignition & Manual Flash Tube
- Gold Standard Lifetime Warranty
- ETL certified

Optional Accessories

- Smoker Box (SSMK-SZR)
- 14,000 BTU Drop-In IR Burner (IRB-SZR)
- Griddle Plate (GP-14)
- Side & Power Burners (SB1, SB2, SB2PRO, PB2PRO)
- Grill Liners (GL-SZR32/40)
- Wind Guards (SSWG-36, SSWG-48)
- Freestanding Carts
(CART-SZR32/SZR40; CART-SZR32-DC/SZR40-DC)
- Weatherproof Vinyl Grill Covers (GRILLCOV-32D/40D)
- Weatherproof Vinyl Freestanding Cart Covers
(CARTCOV-32D/40D)
- Rotisserie Kit w/ 40 lb. Motor (ROTKIT-SZR32/40)



SIZZLER PRO

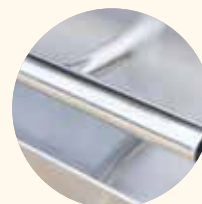
SZRPR032 / SZRPR040



FEATURES

1. Interior Halogen Lighting
2. Exterior LED Front Panel Lighting
3. Heat Zone Separators
4. Easy-Clean Briquette System

5. Piezo Ignition
6. 8mm Round Cooking Grates
7. Full-Width Drip Tray
8. 15,000 BTU Infrared Back Burner



#304 STAINLESS STEEL
FULL-WIDTH HOOD HANDLE



INTERIOR HALOGEN
COOKING LIGHTS



EASY-CLEAN BRIQUETTE
SYSTEM



EXTERIOR LED LIGHTING
+ WHITE TO RED BEZEL
LIGHTING INDICATING ON/OFF
BURNER STATE



14,000 BTU STAINLESS
STEEL CAST BURNERS

9. Full-Width Warming Rack

10. #304 Stainless Steel Full-Width Hood Handle

11. Whit to Red Bezel Lighting Indicating On/Off Burner State

SIZZLER

REDESIGNED PRODUCT

Built for everyday excellence, the Sizzler grill redefines value in outdoor cooking. Durable stainless steel construction, thoughtful design, uniform heat distribution, and precision airflow ensure reliable, commercial-grade performance every time. Whether firing up a quick weekday dinner or hosting a weekend entourage, the Sizzler blends style and functionality, making every meal effortless. Available in multiple sizes and configurations, this grill invites you to embrace outdoor living with confidence, turning any meal into an experience worth sharing.

25" | 32" | 40"

SZR25 / SZR32 / SZR40





#443 STAINLESS STEEL CONSTRUCTION



#443 STAINLESS STEEL FLAME TAMERS & 8MM ROUND COOKING GRATES



ANTI-THEFT BURNER KNOBS



NO ELECTRICAL POWER REQUIRED, MULTI-FAMILY USE & COMMERCIAL APPLICATION FRIENDLY



12,000 BTU #304 STAINLESS STEEL TUBE BURNERS WITH PIEZO IGNITION & MANUAL FLASH TUBE



GOLD STANDARD LIFETIME WARRANTY



Optional Accessories

- Smoker Box (SSMK-SZR)
- 12,000 BTU Drop-In IR Burner (IRB-SZR)
- Griddle Plate (GP-14)
- Side & Power Burners (SB1, SB2, SB2PRO, PB2PRO)
- Grill Liners (GL-SZR25/32/40)
- Freestanding Carts
(CART-SZR25/32/40; CART-SZR32-DC/SZR40-DC)
- Weatherproof Vinyl Grill Covers
(GRILLCOV-25D/32D/40D)
- Weatherproof Vinyl Freestanding Cart Covers
(CARTCOV-25D/32D/40D)
- Wind Guards (SSWG-36, SSWG-48)
- Rotisserie Kit w/ 40 lb. Motor (ROTKIT-SZR25/32/40)

SIZZLER

SZR25 / SZR32 / SZR40



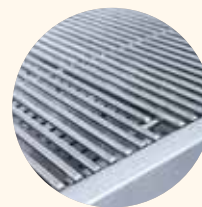
FEATURES

1. 8mm Square Cooking Grates
2. #443 Stainless Steel Flame Tamers
3. 12,000 BTU Tube Burners

4. Full-Width Warming Rack
5. Stainless Steel Double-Lined Hood
6. Stainless Steel Full-Width Hood Handle



FULL-WIDTH WARMING RACK



8MM ROUND COOKING GRATES



ANTI-THEFT BURNER KNOBS
W/ FLAME THROWER IGNITION
SYSTEM



12,000 BTU TUBE BURNERS



#443 STAINLESS STEEL
FLAME TAMERS

- 7. Full-Width Drip Tray
- 8. Piezo Ignition
- 9. Anti-Theft Burner Knobs

RESORT GRILL


The Resort Grill excels in performance while communicating quality and style to residents or clients. With optional features like LP conversion kits and timers, the Resort Grill can be configured for any commercial application.


30"

SBG30





 #304 STAINLESS STEEL CONSTRUCTION

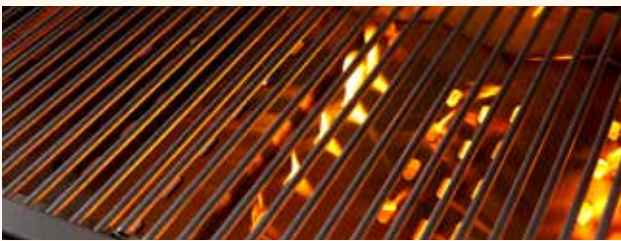
 FLAME THROWER IGNITION

 18 & 16 GAUGE DOUBLE-LINED HOOD

 26,000 BTU #304 STAINLESS STEEL U-TUBE BURNERS

 HEAVY-DUTY 9MM ROUND COOKING GRATES

 NO ELECTRICAL POWER REQUIRED, MULTI-FAMILY USE & COMMERCIAL APPLICATION FRIENDLY



Additional Features

- Heavy-Duty 14-Gauge Flame Tamers
- Heavy-Duty Anti-Theft Knobs
- LP Conversion Kit Included
- Gold Standard Lifetime Warranty

Optional Add-Ons

- Pedestal Model
- Gas Timers
- Weatherproof Vinyl Grill Cover (GRILLCOV-SBG30D)
- Weatherproof Vinyl Freestanding Cart Cover (CARTCOV-SBG30D)

RESORT GRILL

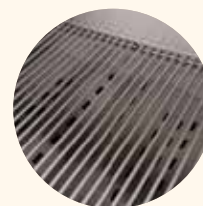
SBG30



FEATURES

1. Heavy-Duty 9mm Round Cooking Grates
2. 14-Gauge Flame Tamers
3. 26,000 BTU #304 Stainless Steel U-Tube Burners

4. 18 & 16 Gauge Double-Lined Hood
5. Heavy-Duty Anti-Theft Knobs
6. Flame Thrower Ignition



HEAVY-DUTY-9MM
COOKING GRATES



26,00 BTU #304 STAINLESS
STEEL U-TUBE BURNERS



14-GAUGE FLAME TAMERS



GRIDDLE PRO

NEW PRODUCT

Some moments call for more than an open flame. The commercial-grade Summerset Gas Griddle Pro unlocks a world of flavors, offering the perfect canvas for everything from sizzling carne asada to golden, fluffy pancakes. Designed for those who love to cook without limits, its expansive flat-top surface delivers even heat and precise control, making every meal an opportunity to explore, create, and indulge. Whether it's a sunrise breakfast or late-night street-style tacos, the Gas Griddle Pro transforms your outdoor space into a place where every dish is crafted with ease and inspiration.



30" GAS GRIDDLE PRO
GRIDPRO-NG / LP



30" GAS GRIDDLE CART
CART-GRID30

-
- | | |
|--|---|
|  <p>STAINLESS STEEL CONSTRUCTION</p> |  <p>36,000 TOTAL BTU OUTPUT</p> |
|  <p>8MM THICK, #304 STAINLESS STEEL COOKING SURFACE. 495 SQ. INCHES OF COOKING SURFACE</p> |  <p>EXTERIOR LED LIGHTING + WHITE TO RED BEZEL LIGHTING INDICATING ON/OFF BURNER STATE</p> |
|  <p>18,000 BTU STAINLESS STEEL U-TUBE BURNERS</p> |  <p>GOLD STANDARD LIFETIME WARRANTY</p> |
-

Additional Features

- Included #304 Stainless Steel, Removable Lid
- Large Capacity Drip Tray
- Heat Zone Separator
- High-Power, Reliable Flame Thrower Ignition
- Overall Dimensions: 30" W x 28" D x 12" H
Weight: 120 LB.
- ETL Certified
- Gold Standard Lifetime Warranty

Optional Accessories

- Grill Liner (GL-GRID30)
- Weatherproof Vinyl Grill Cover (GRILLCOV-GRID30)
- Weatherproof Vinyl Freestanding Cart Cover (CARTCOV-GRID30)

HYBRID OVEN

SUMMERSET OVENS

Summerset Ovens transform outdoor cooking into savory moments, whether it's a wood-fired pizza, a golden-roasted entrée, or a fresh-baked dish's crisp, bubbling edges. Designed for those who crave more, our ovens unlock a world of flavors, textures, and creativity, making every meal a masterpiece waiting to happen.





FEATURED

HYBRID PIZZA OVEN
36" DOUBLE ACCESS DOOR
20" TRASH PULLOUT DRAWER


THE SUMMERSET (OV-HYB)

HYBRID PIZZA OVEN


NEW PRODUCT

Why choose between tradition and convenience when you can have both? The Summerset Hybrid Pizza Oven brings the soul of wood-fired cooking and the precision of gas together in one commercial-crafted centerpiece. Whether embracing the slow, smoky depth of a wood-fired crust or the instant heat and control of gas, this oven gives you the freedom to craft everything from artisan pizzas to slow-roasted meats, fire-roasted vegetables, and fresh-baked bread. Designed for those who appreciate the art of cooking, it transforms your outdoor space into a place where flavors deepen, techniques evolve, and every meal feels like an experience worth savoring.



 390 SQUARE INCHES OF COOKING SURFACE

 TEMPERATURE REACHES UP TO 932°F / 500°C

 40,000 BTUS OF COOKING POWER

 AMBIENT TEMP READOUT

 STAINLESS STEEL TUBE BURNER

 STAINLESS STEEL WOOD RACK + ASH CATCH



Additional Features

- Hybrid Oven, Ability to Cook with Wood or Gas
- Stainless Steel Tube L-Shaped Gas Burner
- Stainless Steel Jet Type Burner for Igniting Wood
- Gas Burner: 40,000 BTUs When Cooking with Gas Only
- Wood Burner Gas Starter Rated at 9,000 BTUs
- Stainless Steel Wood Rack + Ash Catch
- Cooking Stone Made From Cordierite
- Material Interior: #443 Stainless Steel
- Stainless Steel Chimney
- Knobs for Burners Marked High/Low
- Adjustable Feet
- ETL Certified
- Gold Standard Lifetime Warranty



Side and Power Burners

Bold outdoor kitchens go beyond the grill, offering versatility and control at every stage of the cooking experience. With the function of an indoor range, SummerSet's Side and Power Burners expand your possibilities, allowing you to simmer, sear, and sauté with restaurant-style precision—all without leaving the moment behind.



SINGLE SIDE BURNER
SB1 / SB1L
15,000 BTU BURNER



DOUBLE SIDE BURNER
SB2 / SB2L
12,000 BTU BURNERS



PRO DOUBLE SIDE BURNER
SB2PRO / SB2PROL
12,000 BTU BURNERS



PRO POWER BURNER
PB2PRO / PB2PROL
24,000 BTU BURNERS



Freestanding Carts

Whether poolside or patio-side under the stars, Summerset's Freestanding Carts offer the freedom to cook wherever you're inspired. Designed for performance and built to impress, they make every outdoor space a place where great food and unforgettable moments come together.

DELUXE CARTS

- Folding Shelving
- Magnetic Access Door
- Front Locking Caster Wheels
- Interior Paper Towel Holder
- Propane Tank Storage
- Side, Rear, and Bottom Ventilation

STANDARD CARTS

- Magnetic Access Door
- Front Locking Caster Wheels
- Interior Paper Towel Holder
- Propane Tank Storage
- Side, Rear, and Bottom Ventilation

PEDESTAL

- Locking Double Door
- Propane Tank Storage
- Side, Rear, and Bottom Ventilation



REFRIGERATION, SINKS AND BAR PREP

22" REFRIGERATION SERIES

The 22" Compact Refrigerator Series offers 4.3 cubic feet of storage, #304 stainless steel doors, and automatic interior lighting. Build them into an island or use them inside—these refrigerators will add a whole new level of convenience to your setup.

FEATURES:

- STORAGE CAPACITY: 4.3 FT³
 - BLACK EXTERIOR & INTERIOR CABINET
 - BLACK WIRE SHELVES (X4)
 - INTERIOR LED LIGHT
 - FULL RANGE MECHANICAL TEMPERATURE CONTROLS WITH 7 SETTINGS
 - TEMPERATURE RANGE: 0°C - 10 °C / 32 °F - 50 °F
 - 156 CAN CAPACITY
 - ENERGY EFFICIENT RATING: DOE HOUSEHOLD
 - CERTIFICATIONS: ETL, DOE, CE
 - TRIM KIT AVAILABLE: RTK-22
-



22" 4.3 Cu. OUTDOOR APPROVED COMPACT REFRIGERATOR
RFR-22S

- #304 Stainless Steel Reversible Door



22" 4.3 Cu. DELUXE OUTDOOR APPROVED COMPACT REFRIGERATOR
RFR-22D

- Upgraded Deluxe #304 Stainless Steel Door & Handle
- #304 Stainless Steel Reversible Door

OUTDOOR RATED ICE MAKER



15" 55 LB. OUTDOOR RATED ICE MAKER

IM-15

FEATURES

- DAILY ICE OUTPUT: 50 LBS
 - STORAGE CAPACITY: 25 LBS
 - #304 STAINLESS STEEL DOOR CONSTRUCTION
 - UL RATED FOR OUTDOOR USE
 - FRONT VENTING
 - REVERSIBLE DOOR
 - AUTO-DEFROST
 - ELECTRONIC TEMPERATURE CONTROLLER DIGITAL DISPLAY
 - BUILT-IN DESIGN
 - COMMERCIAL & RESIDENTIAL COMPLIANT
 - GRAVITY DRAIN
 - TEMPERATURE CONTROL NOT NECESSARY
-

OUTDOOR RATED

REFRIGERATION

FEATURES:

- #304 STAINLESS STEEL DOOR & HANDLE
- UL RATED FOR OUTDOOR USE
- INTERIOR LED LIGHTING
- FRONT VENTING
- AUTO-DEFROST
- ELECTRONIC TEMPERATURE CONTROLLER W/ DIGITAL DISPLAY
- BUILT-IN DESIGN
- COMMERCIAL & RESIDENTIAL COMPLIANT
- ANTI-VIBRATION SYSTEM
- TRIM KITS AVAILABLE
- CERTIFICATIONS: ETL, DOE, CE



24" 5 Cu. OUTDOOR RATED DOUBLE DRAWER REFRIGERATOR
RFR-24DR2-A

- 114 Can Capacity
- 32°F - 72°F Temperature Range
- Black Interior Cabinet w/ Stainless Steel Drawers



24" 5 Cu. OUTDOOR RATED REFRIGERATOR WITH GLASS DOOR
RFR-24G

- 161 Can Capacity
- 32°F - 72°F Temperature Range
- Glass Shelves (x3)
- Black Exterior & Interior Cabinet
- Triple-Glazed, Tinted Glass Door
- In Field Reversible Door



24" 5 Cu. OUTDOOR RATED REFRIGERATOR
RFR-24S-A

- 161 Can Capacity
- Glass Shelves (x3)
- 32°F - 72°F Temperature Range
- Black Exterior & Interior Cabinet
- In Field Reversible Door



15" 3.2 Cu. OUTDOOR RATED REFRIGERATOR
RFR-15S

- 89 Can Capacity
- 32°F - 50°F Temperature Range
- Black Interior



15" 3.2 Cu. OUTDOOR RATED REFRIGERATOR WITH GLASS DOOR
RFR-15G

- 89 Can Capacity
- 32°F - 50°F Temperature Range
- Black Interior
- Triple-Glazed, Tinted Glass Door

OUTDOOR RATED

WINE COOLERS

FEATURES:

- DOUBLE-GLAZED, TINTED GLASS DOOR W/ #304 STAINLESS FRAME & HANDLE
- UL RATED FOR OUTDOOR USE
- ADJUSTABLE, REMOVABLE WINE RACKS
- INTERIOR LED LIGHTING
- FRONT VENTING
- AUTO-DEFROST
- ELECTRONIC TEMPERATURE CONTROLLER W/ DIGITAL DISPLAY
- BUILT-IN DESIGN
- COMMERCIAL & RESIDENTIAL COMPLIANT
- ANTI-VIBRATION SYSTEM
- TRIM KITS AVAILABLE
- CERTIFICATIONS: ETL, DOE, CE



24" 5 Cu. DELUXE OUTDOOR RATED SINGLE ZONE WINE COOLER
RFR - 24W

- 52 Bottle Capacity
- 41°F-64°F Temperature Range



24" 4.5 Cu. DELUXE OUTDOOR RATED DUAL ZONE WINE COOLER
RFR - 24WD

- 46 Bottle Capacity
- Upper Temperature Range: 41°F-50°F
- Lower Temperature Range: 50°F-64°F



15" 3.2 Cu. OUTDOOR RATED SINGLE ZONE WINE COOLER
RFR - 15W

- 34 Bottle Capacity
- 41°F - 64°F Temperature Range

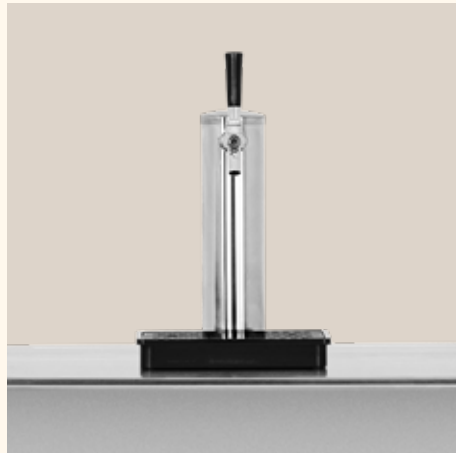


15" 2.9 Cu. OUTDOOR RATED DUAL ZONE WINE COOLER
RFR - 15WD

- 29 Bottle Capacity
- Upper Temperature Range: 41°F-50°F
- Lower Temperature Range: 50°F-64°F

OUTDOOR RATED
KEGERATOR

- #304 STAINLESS STEEL DOOR, BODY & HANDLE
- UL RATED FOR OUTDOOR USE
- REVERSIBLE DOOR
- INTERIOR LED LIGHTING
- TRIM KIT AVAILABLE
- FRONT VENTING
- AUTO-DEFROST
- ELECTRONIC TEMPERATURE CONTROLLER W/ DIGITAL DISPLAY
- BUILT-IN DESIGN
- COMMERCIAL & RESIDENTIAL COMPLIANT
- ANTI-VIBRATION SYSTEM
- CERTIFICATIONS: ETL, DOE, CE



24" 6.6 Cu. DELUXE OUTDOOR RATED KEGERATOR
(TAP & KEG SOLD SEPARATELY)

RFR-24DK

- Available w/ Single or Double Tap Towers
- 32°F - 50°F Temperature Range

SINGLE KEG TAP FOR KEGERATOR

RFR-TAP-1

- Fits RFR-24DK
- Includes Tap Tray, Single Hose, CO2 Kit (Tank & Regulator)

DOUBLE KEG TAP FOR KEGERATOR

RFR-TAP-2

- Fits RFR-24DK
- Includes Tap Tray, Two Hoses, CO2 Kit (Tank & Regulator)

*SHOWN WITH SINGLE TAP, SOLD SEPARATELY

*IN FIELD REVERSIBLE DOOR



SINKS AND BAR PREP

Take your outdoor kitchen to the next level with our Beverage Center and selection of sinks.

15" DROP-IN SINK & HOT/COLD FAUCET

- Double Handle Valve
- Hot & Cold Faucets
- Stopper/Strainer

19" UNDERMOUNT SINK & 360° HOT/COLD FAUCET

- 360° Hot & Cold Faucet
- Stopper/Strainer
- 18 Gauge Stainless Steel



15" DROP-IN SINK & HOT/COLD FAUCET
SNK-15D



19" UNDERMOUNT SINK & 360° HOT/COLD FAUCET
SNK-19U



HOT/COLD FARMHOUSE SINK
SNK-32FH-P



30" BEVERAGE & PREP STATION
BC-30L-W

FARMHOUSE SINK

- Hot & Cold Pull Down Faucet
- Strainer
- Sink Grate
- Noise Cancelling Padding
- Built-In Drain & Plug

30" BEVERAGE & PREP STATION

- 40 lb. Ice Compartment
- LED Front Panel Lighting
- Sink & Faucet Combo
- 3 Condiment Trays
- Built-In Bottle Opener & Towel Rack
- Built-In Drain & Plug

ICE CHESTS

With our grills heating things up, we have just what you need to keep cool. Choose between two sizes to optimize your serving station. With up to 40 lbs. of ice capacity, load them up with refreshments, snacks, or ingredients to make for a good time.



17" 1.7 Cu. DROP-IN COOLER
(20LB ICE CAPACITY)
IC-17

- Built-In Drain & Plug



28" 2.7 Cu. DROP-IN COOLER
(40LB ICE CAPACITY)
IC-28

- 3 Condiment Trays
- Built-In Drain & Plug

STORAGE





ACCESS DOORS

Our doors give you elegant and convenient access to your island, utilities, and grill. These access doors feature #304 stainless steel body & handles, hingeless design, heavy-duty flange, reversible door mounting (excludes vented doors) and magnetic latches.



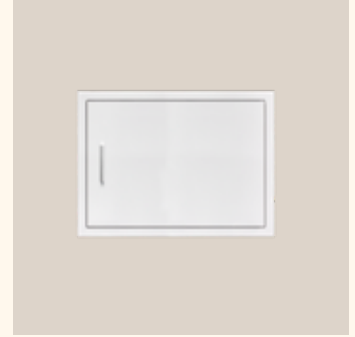
33" VENTED DOUBLE ACCESS DOOR
DD-33V



DOUBLE ACCESS DOOR (26"- 45")
DD-26 / DD-30 / DD-33 / DD-36
DD-39 / DD-42 / DD-45



VERTICAL ACCESS DOOR
(16", 18", 20")
DV-16 / DV-18 / DV-20



HORIZONTAL ACCESS DOOR
(22", 27")
DH-22 / DH-27



18" VENTED VERTICAL ACCESS
DOOR (LEFT HANDLE)
DV-18VL



18" VENTED VERTICAL ACCESS
DOOR (RIGHT HANDLE)
DV-18VR

DOOR AND DRAWER COMBOS

These hingeless components with #304 stainless steel handles are specifically designed with versatility in mind. Whether you need a simple storage setup, LP tank drawer, paper towel holder, or weather-resistant dry storage shelving, these #304 stainless steel combos give you the options you need for a perfect outdoor setup.



2-DRAWER & ACCESS DOOR COMBO
(30", 33", 36", 42")
DC2-30 / DC2-33
DC2-36 / DC2-42



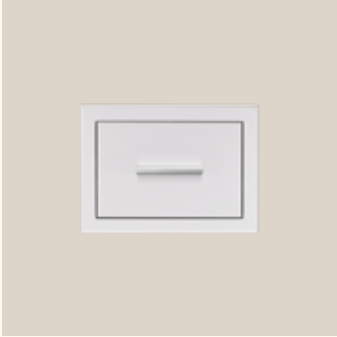
33" 3-DRAWER & ACCESS
DOOR COMBO
DC3-33



33" 2-DRAWER & TRASH OR LP
TANK PULLOUT DRAWER COMBO
DC2-33LP

STORAGE DRAWERS

Our line of drawers are feature-packed storage options that ensure you get exactly what you need in your backyard set up. These drawers feature #304 stainless steel body & handles, heavy-duty flanges and soft closing drawers.



17" SINGLE DRAWER
DR1-17



17" DOUBLE DRAWER
DR2-17



17" TRIPLE DRAWER
DR3-17



17" VERTICAL 2-DRAWER & PAPER
TOWEL HOLDER COMBO
TDC-17



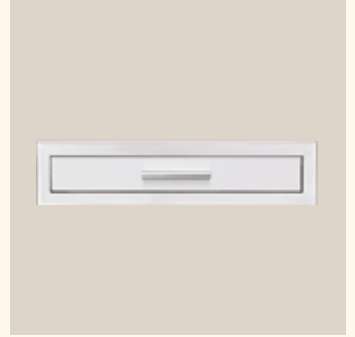
14" NARROW TRASH DRAWER
TD1-14



20" VENTED LIQUID PROPANE TANK
OR TRASH DRAWER
DR1-20LP



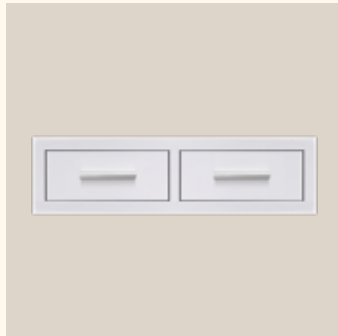
20" TRASH & RECYCLING 2-BIN
PULLOUT DRAWER
TD2-20



26" UTENSIL DRAWER
DR1-26U



36" WARMING DRAWER
WD-36



32" DOUBLE HORIZONTAL DRAWER
DR2-32H



36" LARGE STORAGE DRAWER
DR1-36

DRY STORAGE

This line of dry storage pantries is a solution that offers heavy-duty weather-resistant seals to give you peace of mind year-round—that means moisture and critters are locked out for good. These pantries feature #304 stainless steel body & handles, paper towel holder hingeless design, heavy-duty flanges and magnetic latches.



36" 2-DRAWER DRY STORAGE
PANTRY & ENCLOSED CABINET
COMBO
DP-36DC



36" 2-DRAWER DRY STORAGE
PANTRY & ACCESS DOOR COMBO
DP-36AC

MASONRY STORAGE

Our hingeless line of Masonry Storage, with #304 stainless steel body & handles, is perfect for islands with stone or brick finishes. These #304 stainless steel components can also be used to add an attractive contrast to any island with stucco or Ameristone finishes.



20" MASONRY VERTICAL ACCESS DOOR
DV-20M



27" MASONRY HORIZONTAL ACCESS DOOR
DH-27M



MASONRY DOUBLE ACCESS DOOR (33", 45")
DD-33M / DD-45M



33" MASONRY 2-DRAWER & ACCESS DOOR COMBO
DC2-33M



17" MASONRY DOUBLE DRAWER
DR2-17M



17" MASONRY VERTICAL 2-DRAWER & PAPER TOWEL HOLDER COMBO
TDC-17M



12" MASONRY ISLAND VENT PANEL
IV-12M



14" NARROW TRASH DRAWER
TD1-14M



ACCESSORIES



DROP-IN IR SEAR BURNERS

Become the chef you've dreamed of by using Summerset Sear Burners. Our sear burners can replace nearly any burner position, giving you a customizable cooking experience and allowing you to burn and turn the way you want.



QUEST DROP-IN INFRARED SEAR BURNER

IRB-QST
BTU: 18,000



TRL DROP-IN INFRARED SEAR BURNER

IRB-TRL
BTU: 20,000



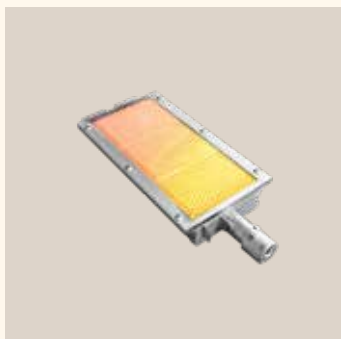
REFRIGERATOR TRIM KIT

RTK-15 / RTK-22 / RTK-24SM
RTK-24LG



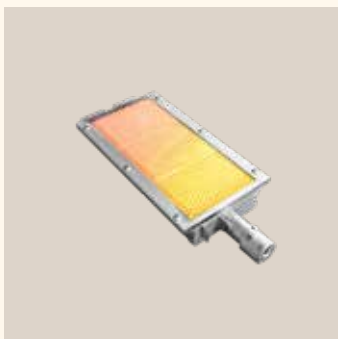
14" ISLAND VENT PANEL

IV-14



SIZZLER DROP-IN INFRARED SEAR BURNER

IRB-SZR
BTU: 12,000



SIZZLER PRO DROP-IN INFRARED SEAR BURNER

IRB-SZR
BTU: 14,000



1.75" / 2" UMBRELLA COUNTERTOP MOUNTING STANCHION

US-1 / US-1L



12" X 6" ISLAND VENT PANEL W/ MASONRY FRAME RETURN

IV-12M

*IR BURNER STYLES MAY VARY

INSULATING LINERS

Summerset Grill Liners are designed with #304 stainless steel construction to protect any outdoor kitchen made of combustible material. The fitted Grill Liners provide an inch of double-walled insulation that blocks the heat from reaching combustible surfaces or framing such as wood or plastic, giving you the freedom to create your outdoor kitchen in the material of your choice.



GRILL LINER

GL-SZR25 / GL-SZR32 / GL-SZR40
GL-TRLPR032 / GL-TRLPR040
GL-QST30 GL-QST36 / GL-QST42
GL-SBG30



POWER BURNER LINER

GL-PB2



DOUBLE SIDE BURNER LINER

GL-SB2



14" GRIDDLE PLATE

GP-14

*ACCESS MAY DIFFER BASED ON MODEL

ISLAND ACCESSORIES

For a sleek and well finished outdoor kitchen, count on us to pay attention to even the smallest of details. Trim your refrigerator cutout, seal your umbrella hole and ventilate in style with Summerset's stainless steel accessories. Finishing touches make luxury islands!

GRIDDLE

ROTISSERIE KITS AND BAGS

Complete with weather-protected stainless steel motor, fork set, counterbalance and a spit rod for every grill model, the Summerset Rotisserie Kits have everything you need to start cooking your chicken, turkey, loin or roast like a pro.



SUMMERSET 40 LB. ROTISSERIE KIT
 ROTKIT-SZR25 / ROTKIT-SZR32
 ROTKIT-SZR40 / ROTKIT-TRL32
 ROTKIT-TRL40 / ROTKIT-QST30
 ROTKIT-QST36 / ROTKIT-QST42



ROTISSERIE KIT STORAGE BAG
 GRILLCOV-ROT32 / GRILLCOV-ROT44

*ROTISSERIE KIT SOLD SEPARATELY

APPLIANCE COVERS

Protect your outdoor kitchen appliances with Summerset Grill Covers. Our heavy-duty PVC covers are 100 percent water-resistant, UV-protected to prevent fading, custom fitted, and feature soft flannel backing (to keep your steel scratch-free). Covers available for Grills, Griddles, Side Burners, & Ovens.



GRILL COVER
 GRILLCOV-25D / GRILLCOV-32D
 GRILLCOV-40D / GRILLCOV-SBG30D
 GRILLCOV-GRID30 / GRILLCOV-QST30D
 GRILLCOV-QST36D / GRILLCOV-QST42D



CART COVER
 CARTCOV-25D / CARTCOV-32D
 CARTCOV-40D / CARTCOV-QST30D
 CARTCOV-QST36D / CARTCOV-QST42D
 CARTCOV-GRID30 / CARTCOV-SBG30D



SIDE & POWER BURNER COVER
 GRILLCOV-SB1 / GRILLCOV-SB2
 GRILLCOV-PB



GRILLCOV-OV-HYB
 HYBRID OVEN COVER



GAS GRIDDLE COVER
 GRILLCOV-GRID30

GAS TIMER AND MOUNTING PLATES



GAS TIMER WITH EMERGENCY SHUTOFF / MOUNTING PLATE
ESTOP1-0H

*MOUNTING PLATE SOLD SEPARATELY



GAS TIMER LOCKING CABINET
ESTOP-LC-KIT



EXPANDABLE MASONRY GAS
TIMER KIT
ESTOP-CP-KIT



GAS TIMER RECESS MOUNT KIT
ESTOP-RM-KIT



SIDE BURNER BRACKET
CART-SIZ-SB2BK-R
CART-SIZ-SB2BK-L



36" STAINLESS STEEL WIND GUARD
(FITS 25"-32" GRILLS)
SSWG-36



48" STAINLESS STEEL WIND GUARD
(FITS 36"-44" GRILLS)
SSWG-48

ADA HANDLE

The SummerSet ADA Handle offers enhanced accessibility and a secure grip. Installs easily on any SummerSet grill for added comfort and control.



ADA HANDLE
ADA-HANDLE

SMOKER TRAYS

Add some pizzazz to an otherwise ordinary meal with the SummerSet Smoker Tray. Whether it's mesquite chicken or applewood smoked salmon, the smoker tray is the ultimate meal enhancer that allows for endless flavor options.



SMOKER TRAYS
SSMK-SZR / SSMK-TRL

OVEN ACCESSORIES

Each tool features a lightweight, extended handle designed to keep your hands at a safe distance from high heat. This kit is ideal for light-duty use in home or food service settings.



HYBRID OVEN ACCESSORY KIT
HYB-OAK



FEATURED

ADA HANDLE

VENT HOODS





FEATURED

TRLPR032
42" VENT HOOD
32" DOUBLE ACCESS DOOR

VENT HOODS

FEATURES:

-
- #304 STAINLESS STEEL CONSTRUCTION
 - 36" - 1000 CFM
 - 42" / 48" / 60" / 72" - 2000 CFM
 - DUAL VENTING / TOP OR REAR
 - 1/2" MOUNTING BRACKET INCLUDED
 - SPACER TEMPLATE INCLUDED
-



VENT HOODS (36", 42", 48", 60", 72")
VH36-2 / VH42-3 / VH48-3 / VH60-3
VH72-3



12" DUCT COVER (36", 42", 48", 60")
VH36-2-DC / VH4272-DC



DUCT COVER FILLER
VH36-2-DC / VH4272-DC

INCLUDES HALF-INCH MOUNTING BRACKET



TELESCOPIC DUCT COVER
VH36-2-DC / VH4272-DC



4" SPACER BRACKETS
VH36-2-SP4 / VH42-3-SP4
VH48-3-SP4 / VH60-3-SP4
VH72-3-SP4



8" SPACER BRACKETS
VH36-2-SP8 / VH42-3-SP8
VH48-3-SP8 / VH60-3-SP8
VH72-3-SP8



WYE DUCT FITTING
VH36-2-DC / VH4272-DC

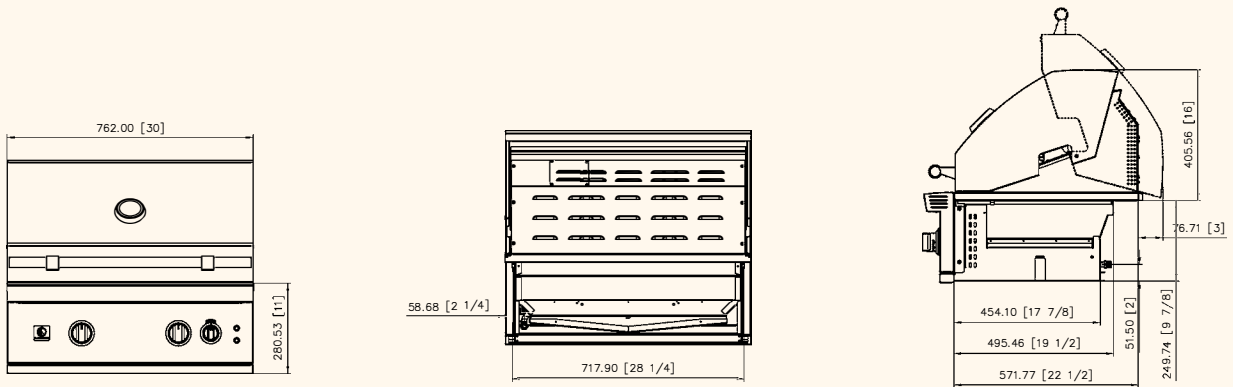


Product Dimensions

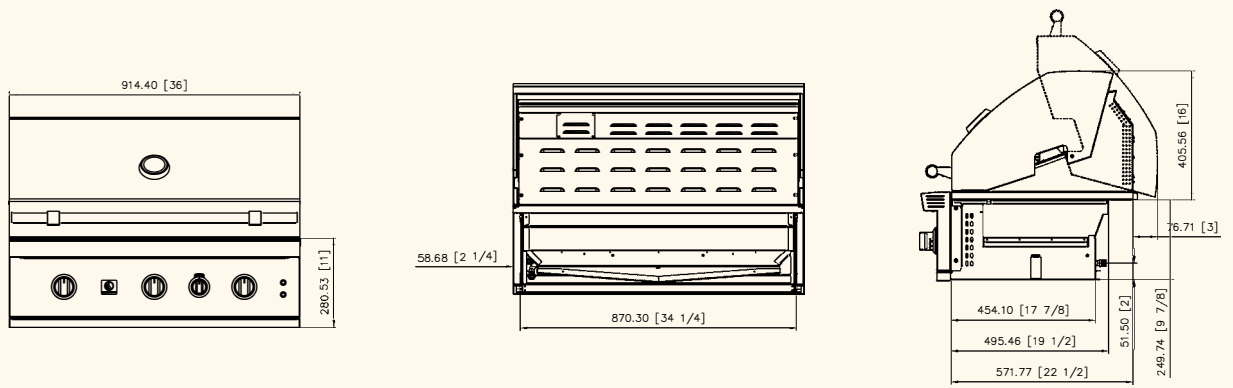
SUMMERSETGRILLS.COM

Designing your outdoor kitchen starts with the perfect fit. Summerset Grills provides detailed product dimensions, line drawings, and cutout specifications to ensure seamless installation and flawless integration into your space. Whether planning a sleek built-in setup or customizing your outdoor layout, you'll find everything you need on our website to bring your vision to life with confidence and ease.

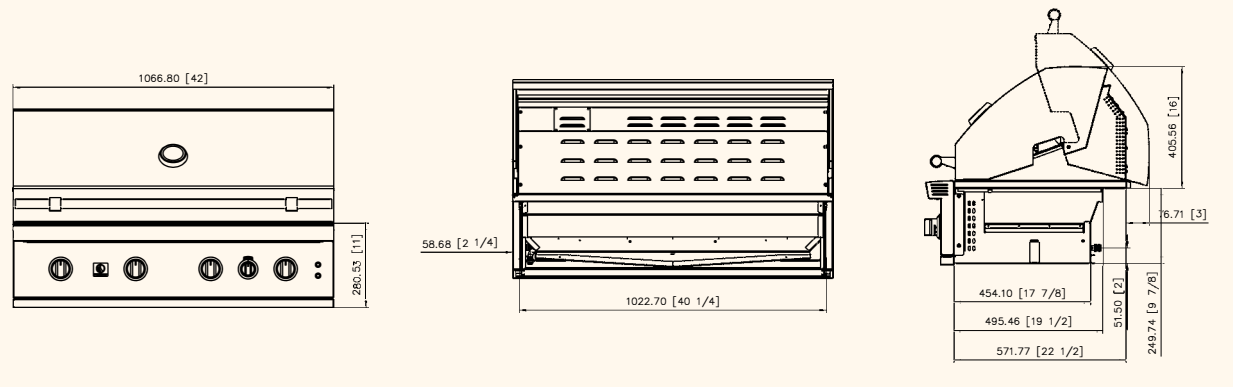
QST30



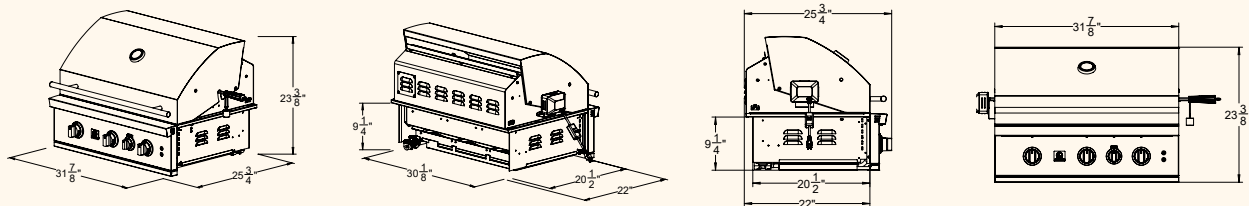
QST36



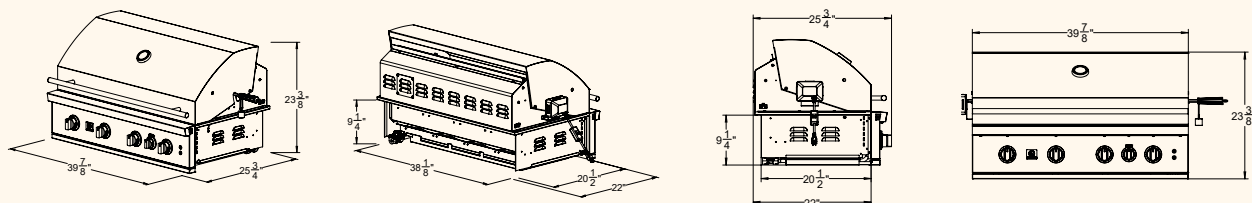
QST42



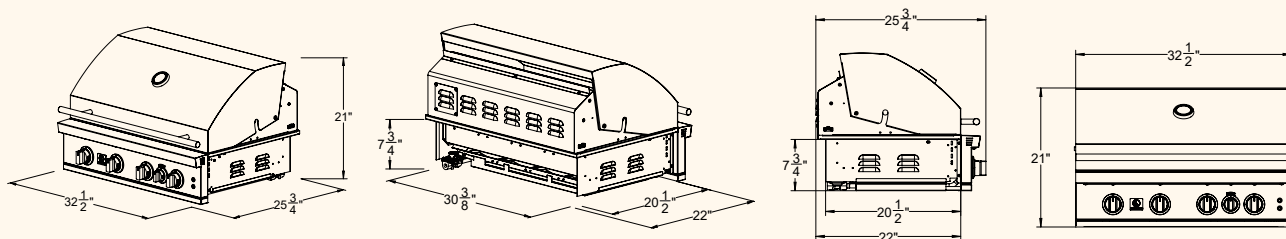
TRLPR032



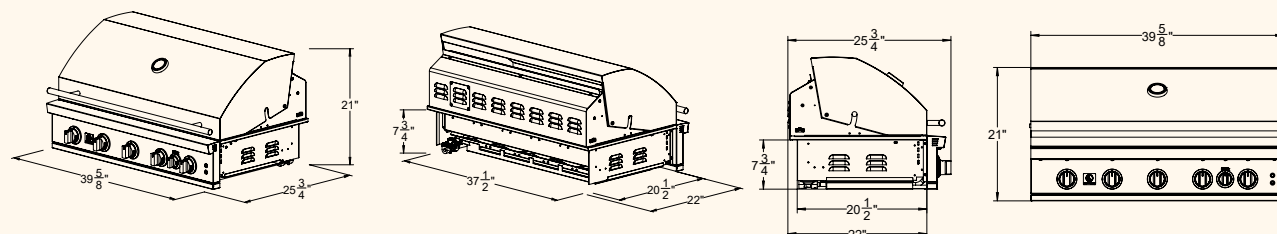
TRLPR040



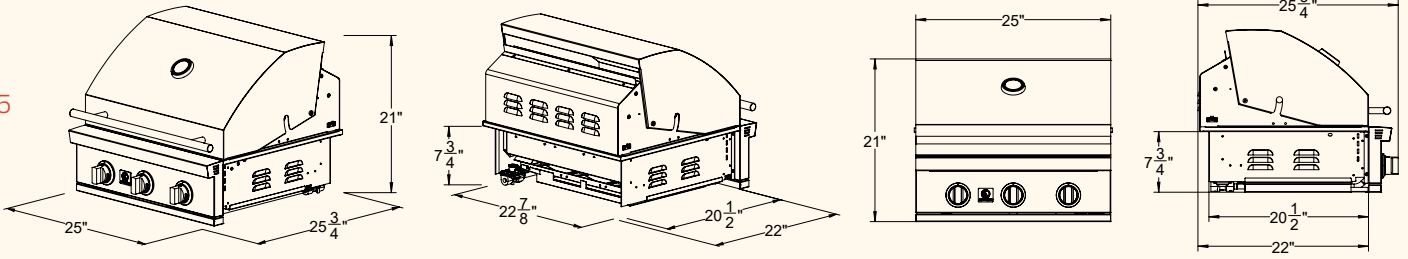
SZRPR032



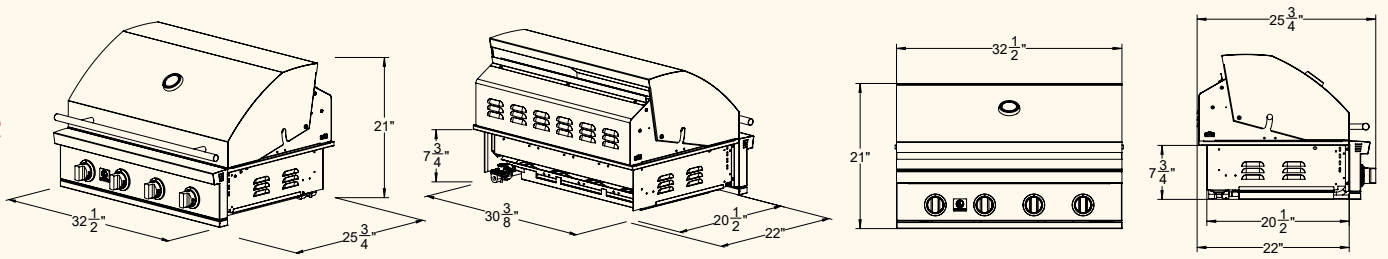
SZRPR040



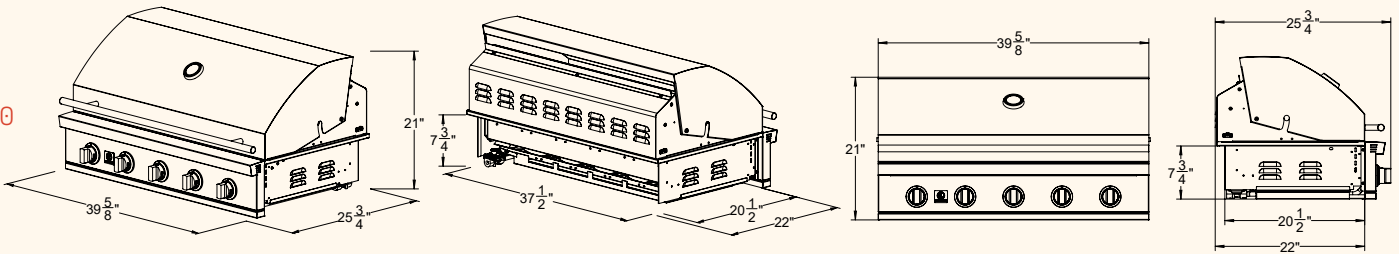
SZR25



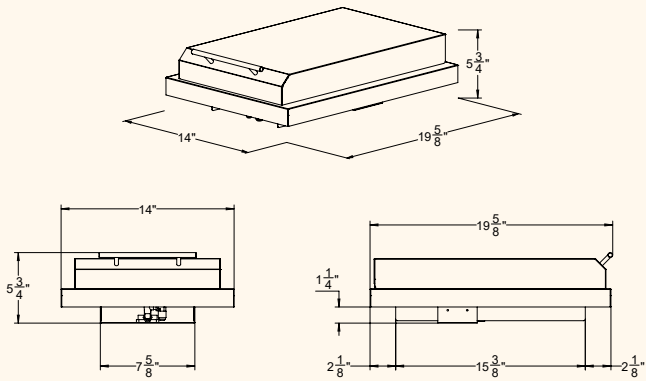
SZR32



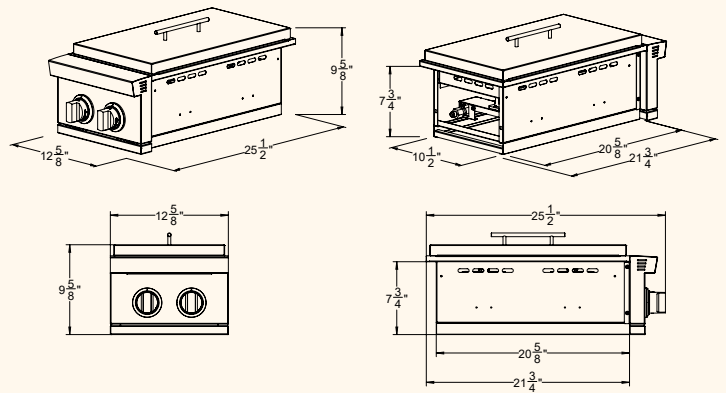
SZR40



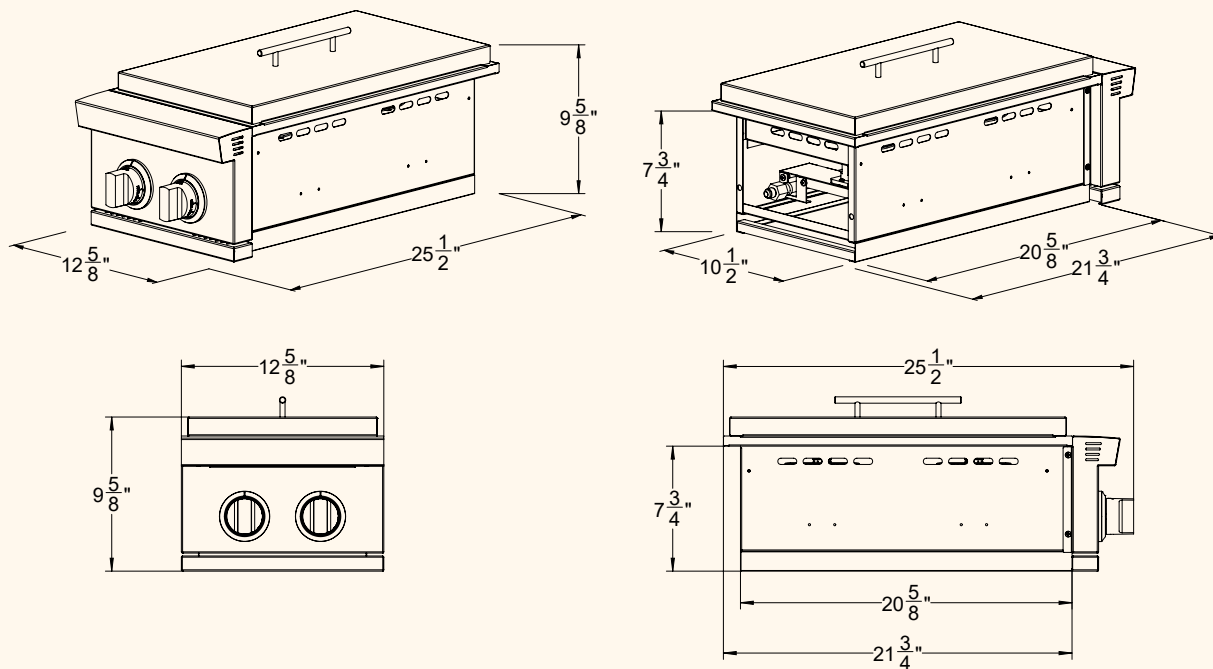
SB1 / SB1L



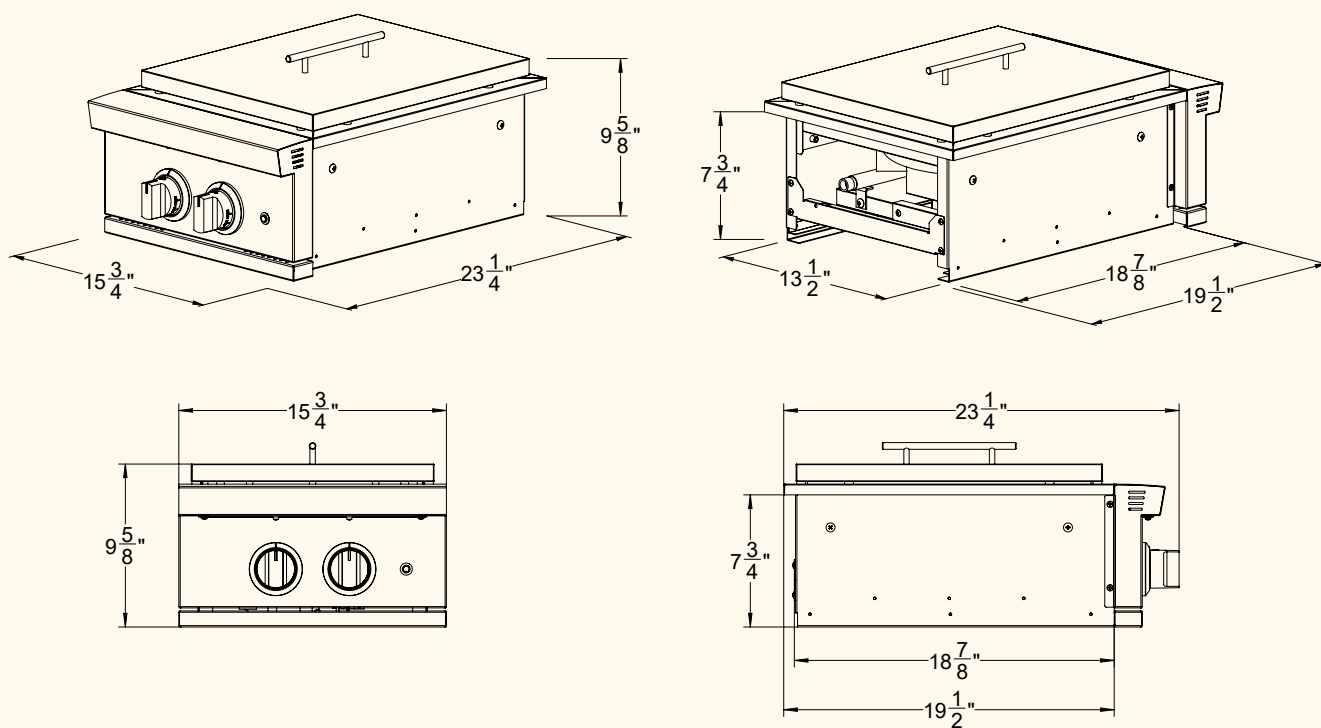
SB2 / SB2L



SB2PRO / SB2PROL



PB2PRO / PB2PROL



AMD DIRECT

GOLD STANDARD WARRANTY

Your investment in AMD Direct products is backed by the strongest warranty in the industry. In addition to precision engineering and outstanding performance, AMD Direct products include our GOLD STANDARD LIFETIME WARRANTY with all replacement parts 100% non-prorated. Effective with purchases as of 3/1/23.

AMD Direct Warranty is valid for original purchaser at original site of delivery with proof of purchase and photo documentation only. Registration form must be submitted online within 30 days of the purchase date to validate the warranty. Warranty is void upon transfer of ownership. Warranty does not apply to products installed in any commercial, rental, or nonresidential application that have not maintained proper upkeep. Manufacturer is not responsible for labor or labor-related costs. Warranty does not cover discoloration, surface rust, corrosion, or oxidation, which may occur due to harsh environments, chemicals, or overheating. Warranty will not apply for damage resulting from improper installations, abuse, extreme environments, grease fires, or misuse. Proof of regular and proper maintenance is required. Coastal, humid, and/or salt environments are subject to manufacturer review. All out-of-box claims must be made within 30 days of purchase and must be made prior to installation. Any product installed damaged will be considered damaged during installation and not covered under warranty. Warranty and registration forms are available at www.amddirect.com/register. Please be advised - all display models are sold "as is" and the warranty covers the following items only: main burners (Gold Standard Lifetime Warranty), grates (Gold Standard Lifetime Warranty), burner covers (Gold Standard Lifetime Warranty). All warranties are subject to the review and approval of the manufacturer.

GAS APPLIANCES

(GRILLS, SIDE/POWER BURNERS, GAS GRIDDLE)

- Gold Standard Lifetime Warranty on Construction and Manufacturer Defects
- Gold Standard Lifetime Warranty on Stainless Steel Construction
- Gold Standard Lifetime Warranty on Cooking Grates, Rib Racks, Smoker Trays, Griddle Plates, Burners, Burner Covers, Valves, Flame Tamers, Infrared Drop-In Burners, Infrared Back Burners, Heatzone Separators, Warming Racks, Rotisserie Kits & Temperature Gauges
- 3 Year Warranty on all Other Parts, Components, & Electrical, Including: LED Bulbs, Wire Harness, Switches; Power Source Wire; Transformer; Interior Halogen Light Wire & Bulb

VENT HOODS, REFRIGERATION, COLD STORAGE & SINKS, VENT HOODS

VENT HOODS

- Gold Standard Lifetime Warranty on all Stainless Steel Construction
- 3 Year Warranty on Blowers, LED Lighting, Wiring Harness and Switches

REFRIGERATION MODELS 15", 22" & 24"

- 3 Year Warranty Replacement on the Sealed Refrigeration System
- 1 Year Warranty on Transformer, LED Bulbs, LED Harness, Power Source Wire, LED Switches, Interior Halogen Light Wire/ Bulbs

COLD STORAGE & SINKS

- Gold Standard Lifetime Warranty on Ice Chest
- Gold Standard Lifetime Warranty on Drains & Faucets

DRAWERS, DOORS, GRILL LINERS & CARTS

- Gold Standard Lifetime Warranty on Construction, Workmanship and Materials for all Stainless Steel Parts, Including Doors, Drawers, Grill Liners, & Carts
- 3 Year Warranty on Electrical (Warming Drawers)

COVERS

- Gold Standard Lifetime Warranty on Covers, Including Grills, Carts, Side/Power Burners, Gas Griddle

COMMERCIAL APPLICATIONS

COVERS

- Gold Standard Lifetime Warranty on Workmanship, Construction, & Manufacturer Defects for all Commercial and/or Hospitality Applications
- Warranty is Void Upon Misuse, Including Lack of Regular Cleaning, Vandalism, or Theft
- Warranty is Valid Only if Regular Maintenance is Exercised. Due to the Nature of Commercial Applications (Multiple Users, Lack of Control of Use, etc.) Regular Maintenance is Mandatory





17322 Gothard Street
Huntington Beach, CA 92647
(800) 966-8126
SUMMERSETGRILLS.COM