

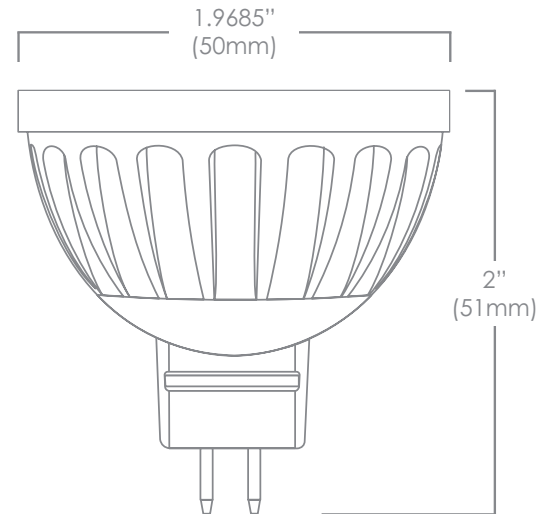
COMMAND SERIES

MR16



DESCRIPTION

The Command Series redefines smart outdoor lighting with a self-contained control network that requires no Wi-Fi, hubs, or repeaters. It delivers instant response for dimming, and adjustable Kelvin temperatures, while maintaining secure, reliable performance even offline. Contractors benefit from faster installs, fewer call-backs, and lower costs thanks to its simple app-based setup and unlimited scalability across properties. For homeowners, it means dependable, frustration-free control, energy savings from efficient LEDs, and no ongoing subscription fees. Users can also take advantage of a dedicated remote for quick, on-the-spot control without needing a phone. With UL certification, patented “radio silent” technology, and a 50,000-hour lifespan, the Command Series raises the standard for plug-and-play smart landscape lighting.



COMMAND SERIES MR16 FEATURES

- 64 Lamps in One
- No Wi-Fi, hubs, or repeaters needed; maintains full functionality offline.
- CRI >90
- Super Low VA
- 2, 4, 5 & 6 Watt
- 2700 Kelvin
- 15°, 24°, 38°, 60° Optic included
- Short Range Remote (*sold separately*)
- UL certified, patented “radio silent” operation, 50,000-hour rated life.

Part Number: **RC-MR16**



COMMAND SERIES MR16 SPECS

Wattage (Setting)	2W	4W	5W	6W
Volt Amps	2.8	5.2	6.6	8.2
Lumens 2700K	200	375	460	550
Beam Spread†	15°, 24°, 38°, 60°			
Kelvin Temperature	2700K, 3000K, 4000K, 5000K			
Operating Range	8-25 VAC			
CRI	>92			
Power Factor	200	375	460	550
IP	62			
Lamp Life (hours)	50,000			
Warranty (years)	3			

