



BRILLIANCE
A HIGHER LIGHT FORM

2026 PRODUCT REFERENCE GUIDE

GRAND PRIZE WINNER
2025 PHOTO CONTEST

Photograph courtesy of
Milow Electric

LINE VOLTAGE & LOW VOLTAGE LED LAMPS
LANDSCAPE LIGHTING FIXTURES
SMART PRODUCTS & CONTROLS
TRANSFORMERS



1ST RUNNER UP
2025 PHOTO CONTEST

Photograph courtesy of National Lawn Sprinklers & Outdoor Living

Brilliance



Brilliance exists to enhance the way people experience outdoor spaces. Our mission is to deliver quality lifestyles through high performance lighting solutions and outdoor living products.

Our team is passionate about the landscape lighting industry and is committed to offering high-quality LED lamps, low voltage fixtures, smart products, and controls to the marketplace. **Innovation is important to us, which is why we continue to develop new products that make your job easier and transform living environments.**

Our Values



Service



Stewardship



Visionary



Legacy



Family

Our Products

The Brilliance product line are designed with function, durability, and purpose of application in mind. This means that our lamps, landscape lighting fixtures, power sources, smart products, and controls are engineered for performance built to last. Brilliance is committed to offering well-designed products that stand the test of time.

What You Can Expect From Us

We provide superior customer service to our distributor network, and that extends to contractors and homeowners who use our products. We look for ways to make your job easier and to provide the innovative LED lighting products your designs need.

2025 BRILLIANCE

10TH ANNUAL

PHOTO CONTEST

All Photo Contest Winners can be found on page 103-104.



GRAND PRIZE WINNER
2025 PHOTO CONTEST

Front and Back Cover
Milow Electric



1ST RUNNER UP WINNER
2025 PHOTO CONTEST

Inside Front Cover
National Lawn Sprinklers & Outdoor Living



2ND RUNNER UP WINNER
2025 PHOTO CONTEST

Page 1
Expert Outdoor Lighting



HONORABLE MENTION
2025 PHOTO CONTEST

Page 34
National Lawn Sprinklers & Outdoor Living

Brilliance lamps are patented under D735369, D735370, D735371, D735372, D735373. The Brilliance Bistro String Light Kit is patented under D898986S.

Brilliance LED® is a registered trademark. "A Higher Light Form®" is a registered trademark of Brilliance LED.

© 2026 Brilliance LED®, LLC. All Rights Reserved.

Product images are for illustration purposes only. Actual products may vary. All products, product specifications, and data are subject to change without notice to improve reliability, function, design, or otherwise.

All product variations may not be available and in stock; some are available only via special order and are subject to special order terms, pricing, conditions, and minimum order quantities. Call 800-867-2108 for availability.

* Indicates Special Order Item.

† Indicates Select Beam Spreads Available in Stock.

Brilliance

TABLE OF CONTENTS

LOW VOLTAGE	1	METAL WORKS	51
Micro G4.....	2	Versa Beam.....	52
Micro T5.....	3	Black Diamond Directional Light.....	57
Beacon G4.....	4	Black Diamond Modern Path Light.....	58
Beacon Plus G4.....	5	Black Diamond Path Light.....	59
Beacon T5.....	6	Black Diamond Wall Wash.....	60
Beacon SCB.....	7	Black Diamond PAR36 Well Light.....	61
Beacon DCB.....	8	Black Diamond MR16 Well Light.....	62
Beacon S8.....	9	Black Diamond Directional Downlight.....	63
G4 Ecostar.....	10	Black Diamond Tiki.....	64
T5 Ecostar.....	11	Black Diamond Starter Lighting System.....	65
SCB Ecostar.....	12	Acadia.....	66
Blaze G4.....	13	Denali.....	67
G4 Rectangular Wafer.....	14	Grand Canyon.....	68
G4 Round Bi-Pin Wafer.....	15	Arches.....	69
MR8.....	16	Glacier.....	70
MR11.....	17	Glacier Perforated.....	71
AR11.....	18	Bryce.....	72
MR16 Ecostar.....	19	Bryce Perforated.....	73
MR16 Gen 6.....	20	Pinnacles.....	74
Command Series MR16.....	21	Everglades.....	75
Precision MR16.....	22	Saguaro.....	76
MR16 Edge Warm Dimming.....	23	Guadalupe.....	77
PAR36.....	24	Redwood.....	78
Strip Light.....	25	Joshua Tree.....	79
Strip Light Accessories.....	26	Sequoia.....	80
Wave Strip Light.....	27	Zion.....	81
Wave Strip Light Accessories.....	28	Olympic.....	82
Candelabra Edge Filament.....	29	Modern Tiki.....	83
S14 Edge Filament.....	30	Mount Rainier.....	84
Low Voltage Bistro String Reel.....	31	Carlsbad.....	85
Bistro 12 Volt String Kit.....	33	Carlsbad Flange.....	86
LINE VOLTAGE	34	Congaree.....	87
Candelabra Edge Filament.....	35	Congaree Flange.....	88
S14 Edge Filament.....	36	Ozark.....	89
Blaze Candelabra.....	37	Cascades.....	90
Line Voltage Bistro String Light Kit.....	38	Light Bar.....	91
SMART PRODUCTS & CONTROLS	39	Tee Wall Washer.....	92
Chameleon Programming Puck.....	41	Adjustable Aquabeam.....	93
Chameleon G4 Bi-Pin.....	42	Niche Light.....	94
Chameleon MR16.....	43	Mini Beam + Stake & Shield.....	95
Chameleon PAR36.....	44	Gutter Mount.....	96
Wi-Fi Smart Socket 3.0.....	45	Replacement Parts.....	97
Brilliance LED Dimmer.....	46	Accessories.....	98
Transformers.....	47	SOLAR PRODUCTS	100
Brilliance Relay.....	49	Serenity Solar Lantern.....	101
Sector Selector.....	50	Aurora Solar Directional Light.....	102
		Prestige Solar Path Light.....	103
		Roswell Solar Path Light.....	104
		RESOURCES	105
		Photometrics.....	106
		Volt Amps.....	109
		Ingress Protection Ratings.....	110
		Professional Training.....	114

2ND RUNNER UP WINNER
2025 PHOTO CONTEST

12VAC

LOW VOLTAGE

Photograph courtesy of Expert Outdoor Lighting

MICRO G4



DESCRIPTION

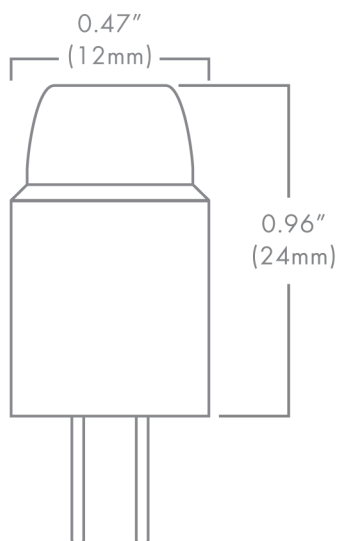
The Brilliance Micro G4 Bi-Pin is a sub-compact LED that features Brilliance's omni-directional beam pattern. This Micro G4 Bi-Pin is energy efficient and water resistant. It is designed specifically for landscape retrofit applications and is ideal for pathway lighting fixtures. Dimmable with Brilliance Dimmer and most magnetic transformers. Suitable for damp locations and for use in totally enclosed luminaires. Not for underwater use.

FEATURES

- Ceramic technology
- UL Certified E360351

MICRO G4 SPECS

Wattage	1.2W
Volt Amps	1.52
Lumens	2700K 95
	3000K 100
Beam Spread	Omni-directional
Kelvin Temperature	2700, 3000
Color	Amber
Operating Range	8-14 VAC/DC
Replaces	10W Halogen
CRI	85
IP	61
Lamp Life (hours)	35,000
Warranty (years)	5



Part Number: **BRI-MICRO-G4-XXXX**

Kelvin/Color



MICRO T5



DESCRIPTION

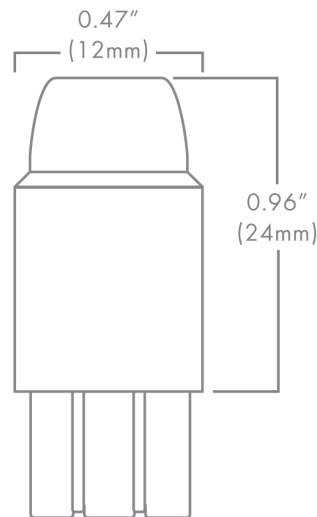
The Brilliance Micro T5 Wedge is a sub-compact LED that features Brilliance's omni-directional beam pattern. This Micro T5 Wedge is energy efficient and water resistant. It is designed specifically for landscape retrofit applications and is ideal for pathway lighting fixtures. Dimmable with Brilliance Dimmer and most magnetic transformers. Suitable for damp locations and for use in totally enclosed luminaires. Not for underwater use.

FEATURES

- Ceramic technology
- UL Recognized Components

MICRO T5 SPECS

Wattage	1.2W
Volt Amps	1.52
Lumens	95
Beam Spread	Omni-directional
Kelvin Temperature	2700
Operating Range	8-14 VAC/DC
Replaces	10W Halogen
CRI	85
IP	61
Lamp Life (hours)	35,000
Warranty (years)	5



Part Number: **BRI-MICRO-T5**



BEACON G4



DESCRIPTION

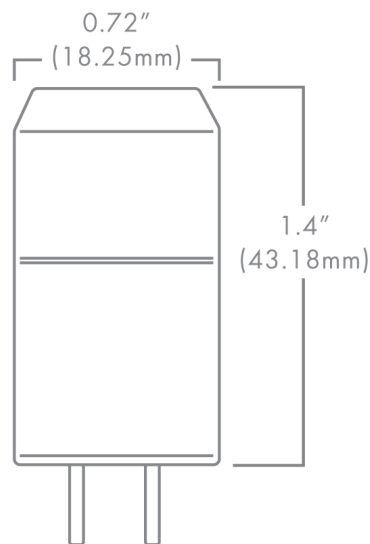
The Brilliance Beacon G4 Bi-Pin is a sub-compact LED that features Brilliance's omni-directional beam pattern. This G4 Bi-Pin is energy efficient and water resistant. It is designed specifically for landscape retrofit applications and is ideal for pathway lighting fixtures and step lights. Dimmable with Brilliance Dimmer and most magnetic transformers. Suitable for damp locations and for use in totally enclosed luminaires. Not for underwater use.

BEACON G4 FEATURES

- Ceramic technology
- UL Certified E360351

BEACON G4 SPECS

Wattage	2W
Volt Amps	3.28
Lumens	2700K 230
	3000K 244
	5700K 250
Beam Spread	Omni-directional
Kelvin Temperature	2700, 3000, 5700
Operating Range	8-25 VAC/DC
Replaces	20W Halogen
CRI	84
IP	65
Lamp Life (hours)	35,000
Warranty (years)	5



Part Number: **BRI-BEACON-G4-XXXX**

↓
Kelvin



BEACON PLUS G4



DESCRIPTION

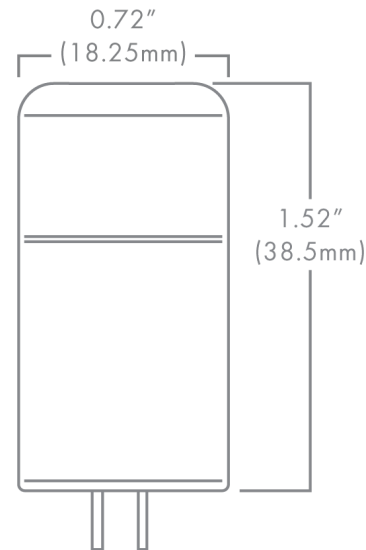
The Brilliance Beacon Plus G4 Bi-Pin is a sub-compact LED that features Brilliance's omni-directional beam pattern through a translucent optic. This G4 Bi-Pin is energy efficient and water resistant. It is designed specifically for landscape retrofit applications and is ideal for pathway lighting fixtures and step lights. Dimmable with Brilliance Dimmer and most magnetic transformers. Suitable for damp locations and for use in totally enclosed luminaires. Not for underwater use.

BEACON PLUS G4 FEATURES

- Ceramic technology
- UL Certified E360351

BEACON PLUS G4 SPECS

Wattage	3W
Volt Amps	4.55
Lumens	2700K 300
	3000K 340
Beam Spread	Omni-directional
Kelvin Temperature	2700, 3000
Operating Range	8-25 VAC/DC
Replaces	35W Halogen
CRI	90+
IP	65
Lamp Life (hours)	35,000
Warranty (years)	5



Part Number: **BRI-BEACON-PLUS-G4-XXXX**

—
Kelvin



BEACON T5



DESCRIPTION

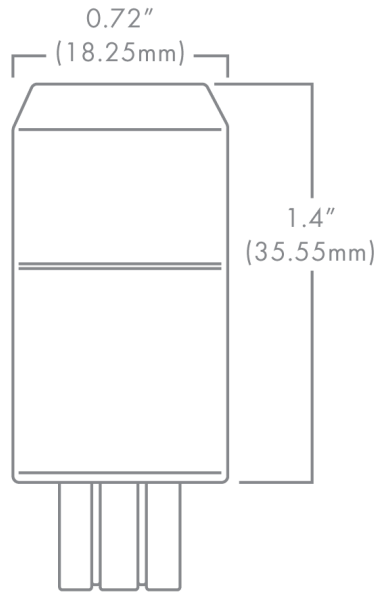
The Brilliance Beacon T5 Wedge is a sub-compact LED that features Brilliance's omni-directional beam pattern. This T5 Wedge is energy efficient and water resistant. It is designed specifically for landscape retrofit applications and is ideal for pathway lighting fixtures and step lights. Dimmable with Brilliance Dimmer and most magnetic transformers. Suitable for damp locations and for use in totally enclosed luminaires. Not for underwater use.

BEACON T5 FEATURES

- Ceramic technology
- UL Recognized Components

BEACON T5 SPECS

Wattage	2W
Volt Amps	3.28
Lumens	2700K 233
	3000K 245
Beam Spread	Omni-directional
Kelvin Temperature	2700, 3000
Operating Range	8-25 VAC/DC
Replaces	20W Halogen
CRI	84
IP	65
Lamp Life (hours)	35,000
Warranty (years)	5



Part Number: **BRI-BEACON-T5-XXXX**

↓
Kelvin



BEACON SCB



DESCRIPTION

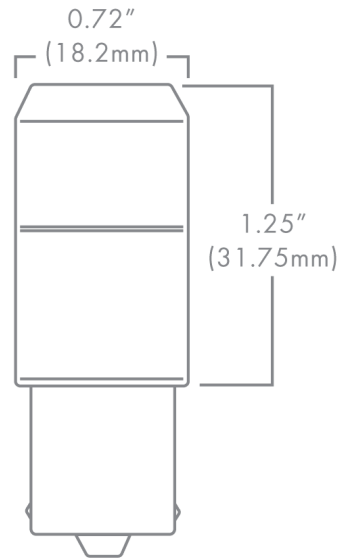
The Brilliance Beacon Single Contact Bayonet (SCB) is a subcompact LED that features Brilliance's omni-directional beam pattern. This SCB is energy efficient and water resistant. It is designed specifically for landscape retrofit applications and is ideal for pathway lighting fixtures and step lights. Dimmable with Brilliance Dimmer and most magnetic transformers. Suitable for damp locations and for use in totally enclosed luminaires. Not for underwater use.

BEACON SCB FEATURES

- Ceramic technology
- UL Certified E360351

BEACON SCB SPECS

Wattage	2W
Volt Amps	2.38
Lumens	2700K 230
	3000K 245
Beam Spread	Omni-directional
Kelvin Temperature	2700, 3000
Operating Range	8-25 VAC/DC
Replaces	20W Halogen
CRI	84
IP	65
Lamp Life (hours)	35,000
Warranty (years)	5



Part Number: **BRI-BEACON-SCB-XXXX**

—
Kelvin



BEACON DCB



DESCRIPTION

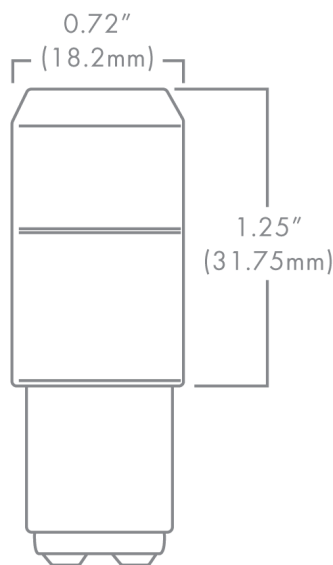
The Brilliance Beacon Double Contact Bayonet (DCB) is a subcompact LED that features Brilliance's omni-directional beam pattern. This DCB is energy efficient and water resistant. It is designed specifically for landscape retrofit applications and is ideal for pathway lighting fixtures, wall washing, and hanging fixtures. Dimmable with Brilliance Dimmer and most magnetic transformers. Suitable for damp locations and for use in totally enclosed luminaires. Not for underwater use.

BEACON DCB FEATURES

- Ceramic technology
- UL Certified E360351

BEACON DCB SPECS

Wattage	2W
Volt Amps	3.28
Lumens	2700K 200
	3000K 225
Beam Spread	Omni-directional
Kelvin Temperature	2700, 3000
Operating Range	8-25 VAC/DC
Replaces	20W Halogen
CRI	84
IP	65
Lamp Life (hours)	35,000
Warranty (years)	5



Part Number: **BRI-BEACON-DCB-XXXX**

Kelvin



BEACON S8



DESCRIPTION

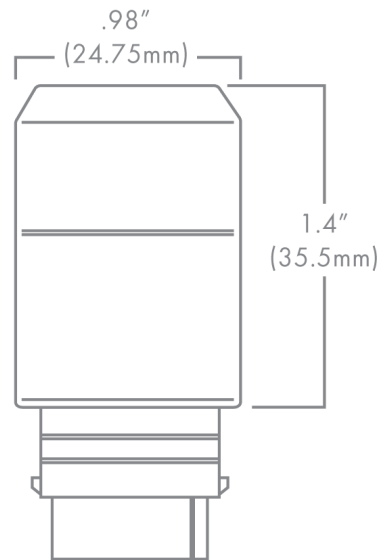
The Brilliance Beacon S8 Wedge is a subcompact LED that features Brilliance's omni-directional beam pattern. This S8 is energy efficient and water resistant. It is designed specifically for landscape retrofit applications and is ideal for pathway lighting fixtures and step lights. Dimmable with Brilliance Dimmer and most magnetic transformers. Suitable for damp locations and for use in totally enclosed luminaires. Not for underwater use.

BEACON S8 FEATURES

- Ceramic technology
- UL Recognized Components

BEACON S8 SPECS

Wattage	2W
Volt Amps	3.28
Lumens	2700K 200
	3000K 245
Beam Spread	Omni-directional
Kelvin Temperature	2700, 3000
Operating Range	8-25 VAC/DC
Replaces	20W Halogen
CRI	84
IP	65
Lamp Life (hours)	35,000
Warranty (years)	5



Part Number: **BRI-BEACON-S8-XXXX**

|
Kelvin



G4 ECOSTAR



DESCRIPTION

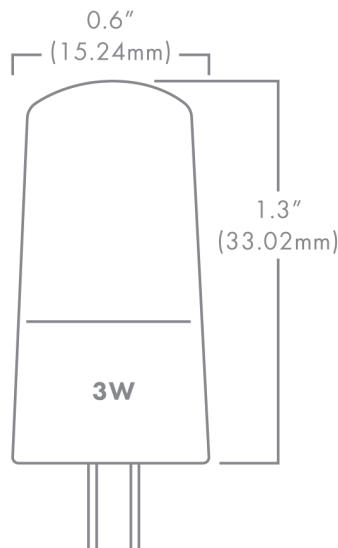
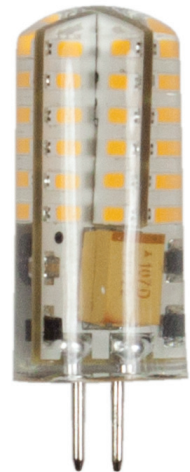
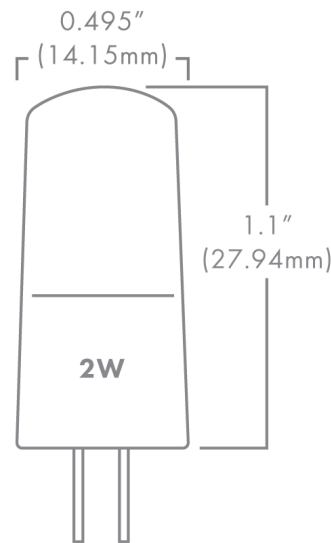
The Brilliance G4 Ecostar Bi-Pin is a sub-compact LED that utilizes a multi-directional beam pattern. The G4 Ecostar is energy efficient and water resistant. It is designed specifically for landscape retrofit applications and is ideal for pathway lighting fixtures, and step lights. Designed for budget-conscious landscape lighting projects. Dimmable with Brilliance Dimmer and most magnetic transformers.

G4 ECOSTAR FEATURES

- Budget conscious
- High CRI
- Enhanced ESD (Electro-Static Discharge) protection (IEC-61000-4-2)

G4 ECOSTAR SPECS

Wattage	2W	3W	
Volt Amps	3.33	5.00	
Lumens	2700K	150	240
	3000K	150	245
Beam Spread	Omni-directional		
Kelvin Temperature	2700, 3000		
Operating Range	8-14 VAC/DC		
Replaces	10W, 20W Halogen		
CRI	95		
IP	65		
Lamp Life (hours)	25,000		
Warranty (years)	3		



Part Number: **BRI-G4-ECO-X-XXXX**

Wattage Kelvin

T5 ECOSTAR



DESCRIPTION

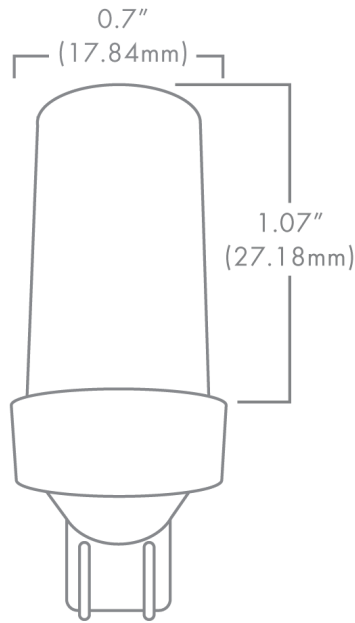
The Brilliance T5 Ecostar Wedge is a sub-compact LED that utilizes an omni-directional beam pattern. The T5 Ecostar is energy efficient and water resistant. It is designed specifically for landscape retrofit applications and is ideal for pathway lighting fixtures, and step lights. Designed for budget-conscious landscape lighting projects. Dimmable with Brilliance Dimmer and most magnetic transformers.

T5 ECOSTAR FEATURES

- Budget conscious
- High CRI
- Enhanced ESD (Electro-Static Discharge) protection (IEC-61000-4-2)

T5 ECOSTAR SPECS

Wattage	3W
Volt Amps	5.00
Lumens	2700K 240
	3000K 245
Beam Spread	Omni-directional
Kelvin Temperature	2700, 3000
Operating Range	8-14 VAC/DC
Replaces	20W Halogen
CRI	95
IP	65
Lamp Life (hours)	25,000
Warranty (years)	3



Part Number: **BRI-T5-ECO-3-XXXX**

|
Kelvin



SCB ECOSTAR



DESCRIPTION

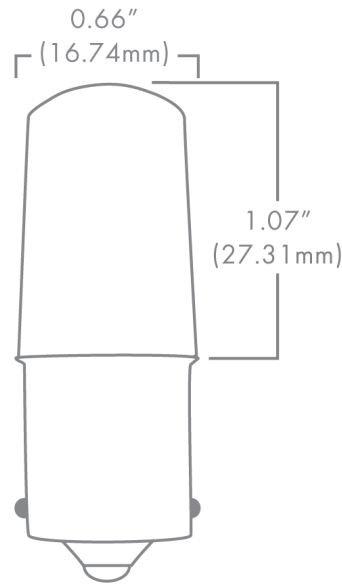
The Brilliance Single Contact Bayonet (SCB) Ecostar is a sub-compact LED that utilizes a multi-directional beam pattern. The SCB Ecostar is energy efficient and water resistant. It is designed specifically for landscape retrofit applications and is ideal for pathway lighting fixtures, and step lights. Designed for budget-conscious landscape lighting projects. Dimmable with Brilliance Dimmer and most magnetic transformers.

SCB ECOSTAR FEATURES

- Budget conscious
- High CRI
- Enhanced ESD (Electro-Static Discharge) protection (IEC-61000-4-2)

SCB ECOSTAR SPECS

Wattage	3W
Volt Amps	5.00
Lumens	2700K 240
	3000K 245
Beam Spread	Omni-directional
Kelvin Temperature	2700, 3000
Operating Range	8-14 VAC/DC
Replaces	20W Halogen
CRI	95
IP	65
Lamp Life (hours)	25,000
Warranty (years)	3



Part Number: **BRI-SCB-ECO-3-XXXX**

|
Kelvin



BLAZE G4



DESCRIPTION

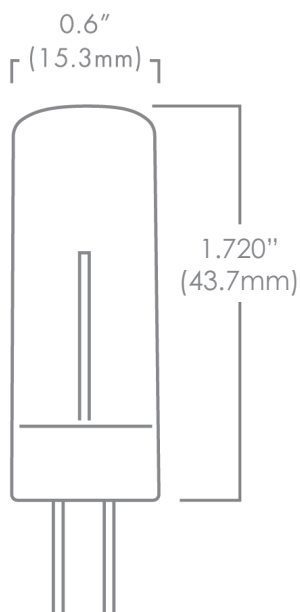
The Brilliance Blaze G4 Bi-Pin is a specialty lamp designed specifically to create a real, flame-like effect in any G4 base fixture. Perfect for path lights or anywhere a warm, flickering light is desired. The Blaze series is also offered in line voltage Candelabra option in an E12 base.

BLAZE G4 FEATURES

- Low voltage flickering flame effect

BLAZE G4 SPECS

Wattage	2W
Volt Amps	3.33
Lumens	20-120
Kelvin Temperature	1400-1700
Operating Range	8-15 VAC/DC
IP	65
Lamp Life (hours)	30,000
Warranty (years)	3



Part Number: **BRI-BLAZE-G4**



G4 RECTANGULAR WAFER

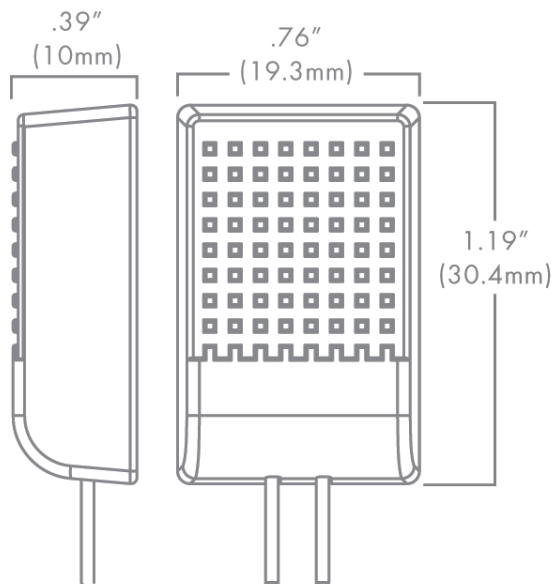


DESCRIPTION

The Brilliance G4 Bi-Pin Wafer is designed specifically for low voltage landscape lighting fixtures. This compact LED is energy efficient and produces a broad 120° light pattern. Dimmable with Brilliance Dimmer and most magnetic transformers.

RECTANGULAR G4 WAFER SPECS

Wattage	2W	3W
Volt Amps	3.33	5.1
Lumens	200	300
Beam Spread	120°	
Kelvin Temperature	2700, 3000	
Operating Range	8-25 VAC/DC	
Replaces	25W Halogen	
CRI	90	
IP	62	
Lamp Life (hours)	30,000	
Warranty (years)	5	



Part Number: **G4-WAFER-X-XXXX-RT**

Wattage |
Kelvin



G4 ROUND BI-PIN WAFER

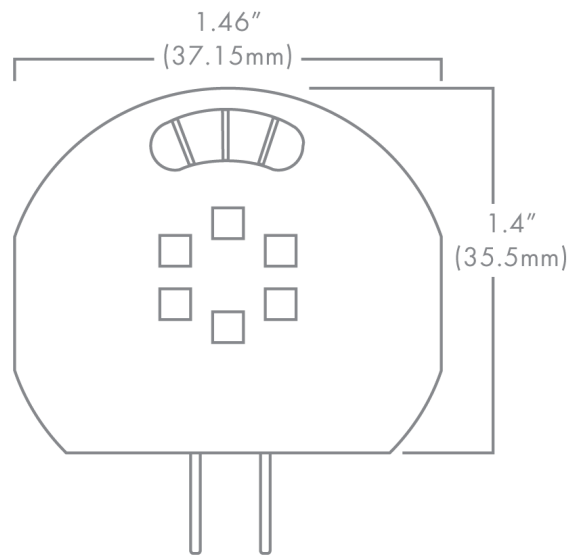


DESCRIPTION

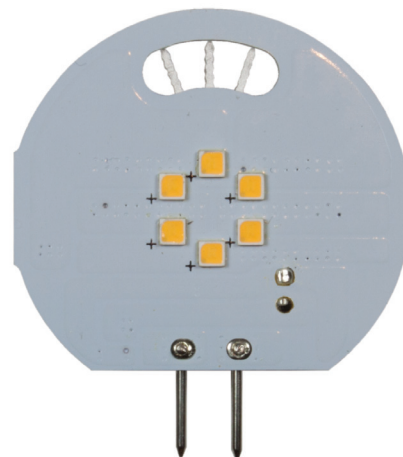
The Brilliance G4 Bi-Pin Wafer is designed specifically for low voltage landscape lighting fixtures. This compact LED is energy efficient and produces a broad 180° light pattern. Dimmable with Brilliance Dimmer and most magnetic transformers.

ROUND G4 WAFER SPECS

Wattage	2W
Volt Amps	3.33
Lumens	120
Beam Spread	180°
Kelvin Temperature	2700
Operating Range	8-24 VAC/DC
Replaces	25W Halogen
CRI	85
IP	60
Lamp Life (hours)	35,000
Warranty (years)	5



Part Number: **G4-WAFER-2-2700-RND**



MR8

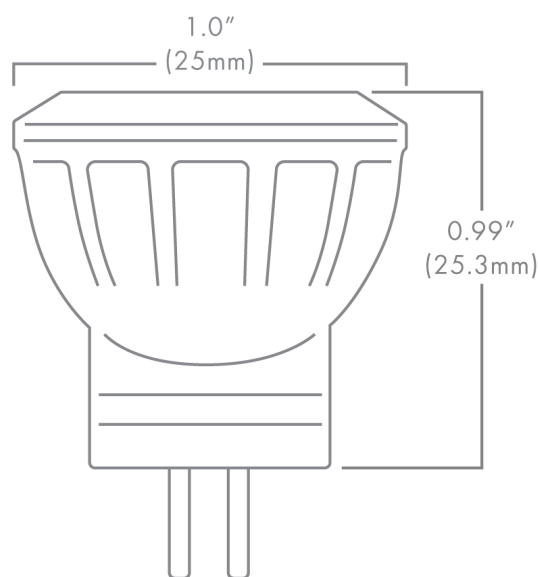


DESCRIPTION

The Brilliance MR8 Bi-Pin is designed to fit in standard low voltage MR8 fixtures and offers a long lamp life. These LEDs are thermally engineered to operate in enclosed fixtures and provide added security by automatically cooling down and reducing lumen output when exposed to extreme heat, such as air temperatures above 125 °F. There is no color shift when lumen output is reduced. Dimmable with Brilliance Dimmer and most magnetic transformers. Suitable for damp locations and for use in totally enclosed luminaires. Not for underwater use.

MR8 FEATURES

- Earth tone colored housing
- Enhanced ESD (Electro-Static Discharge) protection (IEC-61000-4-2)
- Heat overload protection technology
- Fully potted PC board
- UL Certified E360351



Part Number: **MR8-XXXX-XXX**

Kelvin | Beam spread

MR8 SPECS

Wattage	1.5W
Volt Amps	2.50
Lumens	2700K 90
	3000K 139
Beam Spread	15°, 30°, 60°, 120°
Kelvin Temperature	2700, 3000
Color	Amber (30° only)
Operating Range	8-25 VAC/DC
Replaces	10W Halogen
CRI	85
IP	61
Lamp Life (hours)	50,000
Warranty (years)	5



MR11

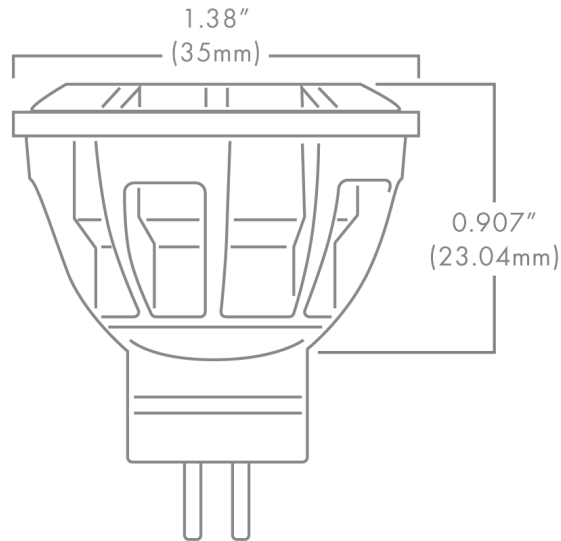


DESCRIPTION

The Brilliance MR11 Bi-Pin is designed to fit into standard low voltage MR11 fixtures and offers a long lamp life. These LEDs are thermally engineered to operate in enclosed fixtures and provide added security by automatically cooling down and reducing lumen output when exposed to extreme heat, such as air temperatures above 125°F. There is no color shift when lumen output is reduced. Dimmable with Brilliance Dimmer and most magnetic transformers. Suitable for damp locations and for use in totally enclosed luminaires. Not for underwater use.

MR11 FEATURES

- Earth tone colored housing
- Enhanced ESD (Electro-Static Discharge) protection (IEC-61000-4-2)
- Heat overload protection technology
- Fully potted PC board
- UL Certified E360351



Part Number: **MR11-2-XXXX-XXX**

Kelvin Beam spread

MR11 SPECS

Wattage	2W
Volt Amps	3.33
Lumens	2700K 120
	3000K 166
	5700K 197
Beam Spread †	15°, 30°, 60°, 120°
Kelvin Temperature	2700, 3000, 5700
Color	Amber (30° only)
Operating Range	8-25 VAC/DC
Replaces	20W Halogen
CRI	85
IP	61
Lamp Life (hours)	50,000
Warranty (years)	5



† Select Beam Spreads Available in Stock.
Call 800-867-2108 for availability.

AR11



DESCRIPTION

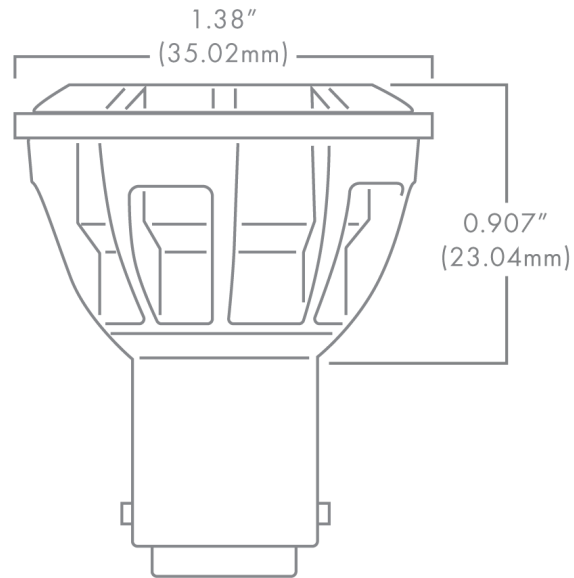
The Brilliance AR11 Double Contact Bayonet (DCB) is designed to fit into standard low voltage AR11 fixtures and offers a long lamp life. These LEDs are thermally engineered to operate in enclosed fixtures and provide added security by automatically cooling down and reducing lumen output when exposed to extreme heat, such as air temperatures above 125° F. There is no color shift when lumen output is reduced. Dimmable with Brilliance Dimmer and most magnetic transformers. Suitable for damp locations and for use in totally enclosed luminaires. Not for underwater use.

AR11 FEATURES

- Earth tone colored housing
- Enhanced ESD (Electro-Static Discharge) protection (IEC-61000-4-2)
- Heat overload protection technology
- Fully potted PC board
- UL Certified E360351

AR11 SPECS

Wattage	2W
Volt Amps	3.33
Lumens	2700K 120
	3000K 138
Beam Spread	30° , 60°
Kelvin Temperature	2700, 3000
Color	Amber (30° only)
Operating Range	8-25 VAC/DC
Replaces	20W Halogen
CRI	85
IP	61
Lamp Life (hours)	50,000
Warranty (years)	5



Part Number: **AR11-2-XXXX-XX**

Kelvin | Beam spread



MR16 ECOSTAR

DESCRIPTION

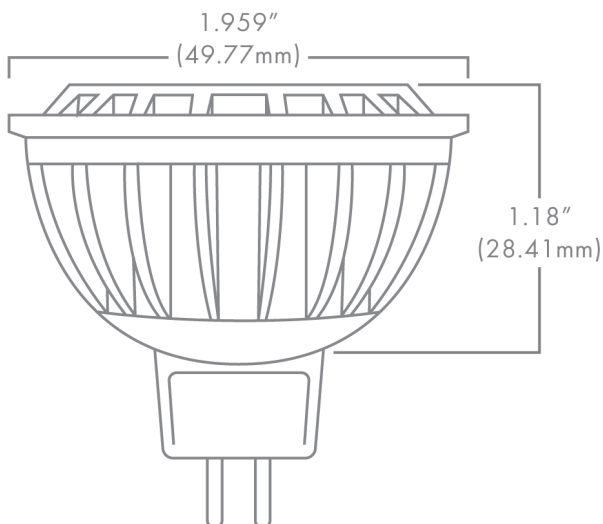
The Brilliance MR16 ECOSTAR Bi-Pin lamp is designed to fit in standard low voltage fixtures. Designed for budget-conscious landscape lighting projects. Dimmable with Brilliance Dimmer and most magnetic transformers.

MR16 ECOSTAR FEATURES

- White housing
- Enhanced ESD (Electro-Static Discharge) protection (IEC-61000-4-2)
- Heat overload protection technology

MR16 ECOSTAR SPECS

Wattage	4W	7W	
Volt Amps	6.35	11.11	
Lumens	2700K	350	640
	3000K	420	660
	5700K	430	718
Beam Spread†	15°, 30°, 60°, 120°		
Kelvin Temperature	2700, 3000, 5700		
Operating Range	8-25 VAC/DC		
Replaces	35W, 50W Halogen		
CRI	80		
IP	61		
Lamp Life (hours)	30,000		
Warranty (years)	3		



Part Number: **MR16-X-ECO-XXXX-XXX**

Wattage | Kelvin | Beam spread



† Select Beam Spreads Available in Stock.
Call 800-867-2108 for availability.

DESCRIPTION

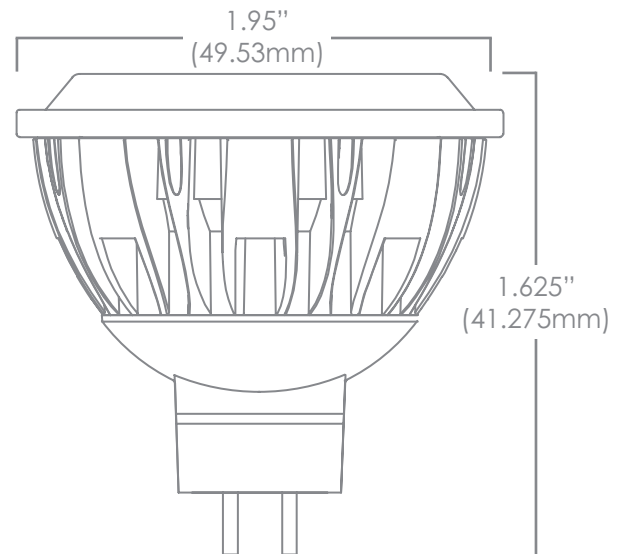
The Brilliance Gen 6 MR16 combines performance with a sleek, redesigned housing for a modern look, while offering a high CRI >92 for superior color rendering. With exceptional efficiency, it delivers reliable, energy-saving operation. The lamp includes four swappable optics for easy customization to suit various applications. Designed to perform in enclosed fixtures, it features thermal management for extreme heat and is dimmable with most magnetic transformers. Ideal for damp locations, this lamp combines functionality and adaptability in one package.

MR16 FEATURES

- High CRI
 - CRI >92
 - R9 = 53, R13 = 95
- High Power Factor
 - Power factor .92 (2w, 4w, 5w) and .95 on 7w
- IP66
- Swappable Optics
 - One lamp & 4 optics included in the box 15°, 30°, 60°, & 120° Optic
- High Efficiency VA
 - 2.32, 4.91, 5.58, 7.2

MR16 SPECS

Wattage	2W	4W	5W	7W
Volt Amps	2.32	4.91	5.58	7.2
Lumens	2700K	205	350	490
	3000K	210	360	500
Beam Spread	15°, 30°, 60°, 120° (All beam spreads included)			
Kelvin Temperature	2700K, 3000K, 5700K			
Operating Range	8-25 VAC/DC			
Color	Amber (4W & 5W), Red (5W), Green (5W), Blue (5W), Silver Green (5W)			
Replaces	10W, 20W, 35W, 50W Halogen			
CRI	>90			
POWER FACTOR	.92			
IP	66			
Lamp Life (hours)	50,000			
Warranty (years)	5			



Part Number: **MR16-X-XXXX-6**

Wattage | Kelvin



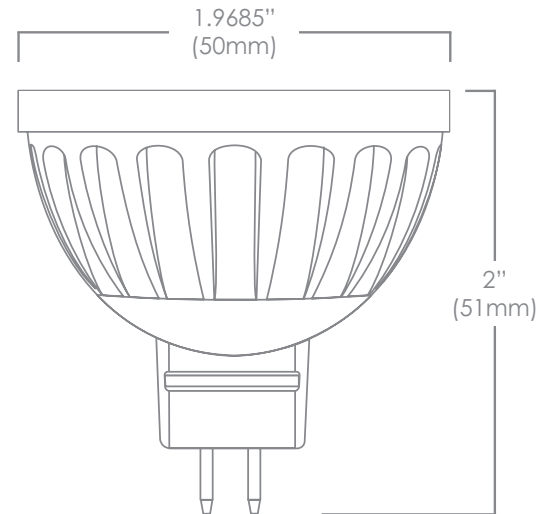
COMMAND SERIES

MR16



DESCRIPTION

The Command Series redefines smart outdoor lighting with a self-contained control network that requires no Wi-Fi, hubs, or repeaters. It delivers instant response for dimming, and adjustable Kelvin temperatures, while maintaining secure, reliable performance even offline. Contractors benefit from faster installs, fewer call-backs, and lower costs thanks to its simple setup. For homeowners, it means dependable, frustration-free control, energy savings from efficient LEDs, and no ongoing subscription fees. Users can also take advantage of a dedicated remote for quick, on-the-spot control without needing a phone. With UL certification, patented “radio silent” technology, and a 50,000-hour lifespan, the Command Series raises the standard for plug-and-play smart landscape lighting.



COMMAND SERIES MR16 FEATURES

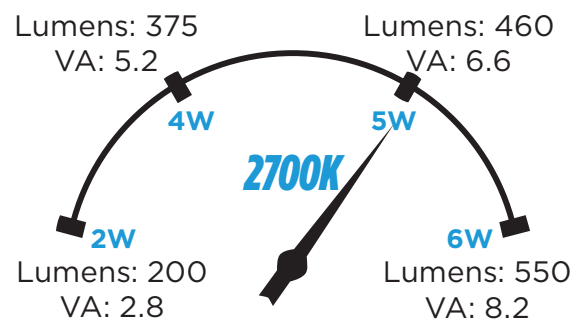
- 64 Lamps in One
- No Wi-Fi, hubs, or repeaters needed; maintains full functionality offline.
- CRI >90
- Super Low VA
- 2, 4, 5 & 7 Watt
- 2700, 3000, 4000, 5000 Kelvin
- 15°, 24°, 38°, 60° Optic included
- Short Range Remote (*sold separately*)
- UL certified, patented “radio silent” operation, 50,000-hour rated life.

Part Number: **RC-MR16**



COMMAND SERIES MR16 SPECS

Wattage (Setting)	2W	4W	5W	6W
Volt Amps	2.8	5.2	6.6	8.2
Lumens 2700K	200	375	460	550
Beam Spread*	15°, 24°, 38°, 60°			
Kelvin Temperature	2700K, 3000K, 4000K, 5000K			
Operating Range	8-25 VAC			
CRI	>92			
Power Factor	200	375	460	550
IP	62			
Lamp Life (hours)	50,000			
Warranty (years)	3			



PRECISION MR16

DESCRIPTION

The new Brilliance Precision MR 16 comes in three different wattages 4W, 5W and 7W. It also comes in two different Kelvin temperatures 2700K and 3000K. The 4° beam spread is one of the narrowest in the entire lighting industry. Use this lamp anytime you need to pinpoint an object or light up a narrow object. The lamp is fully dimmable and will fit in most major brands of landscape lighting fixtures.

4-DEGREE MR16 FEATURES

- Available in three wattages (4W, 5W, and 7W) and two Kelvin temps (2700K and 3000K) to dial-in exactly the look you want.
- Features an ultra-narrow 4° beam spread, one of the tightest in the industry, for precise, pinpoint lighting.
- Ideal for highlighting specific objects or illuminating tall, narrow features with clean, focused intensity.
- Fully dimmable and compatible with most major landscape lighting fixtures for easy integration.



Part Number: **MR16-X-PREC-XXXX-4**

Wattage Kelvin Beam spread

4-DEGREE MR16 SPECS

Wattage	4W	5W	7W
Volt Amps	6.6	8.0	11.1
Lumens	2700K	320	380
	3000K	340	400
Beam Spread†	4°		
Kelvin Temperature	2700, 3000		
Operating Range	8-25VAC		
CRI	>.92		
IP	63		
Lamp Life (hours)	50,000 hours		
Warranty (years)	3		

PRECISION MR16 2700K 4° 4 W CANDLEPOWER = 6706		
Distance	Foot Candles	
2 ft	1.92"	1166.25
4 ft	3.85"	291.56
6 ft	5.77"	129.58
8 ft	7.69"	72.89
10 ft	9.62"	46.65
15 ft	1' 2"	20.73
20 ft	1' 7"	11.66
30 ft	2' 4"	5.18
40 ft	3' 2"	2.92
50 ft	4'	1.87

PRECISION MR16 3000K 4° 4 W CANDLEPOWER = 7259		
Distance	Foot Candles	
2 ft	1.92"	1230.25
4 ft	3.85"	307.56
6 ft	5.77"	136.69
8 ft	7.69"	76.89
10 ft	9.62"	49.21
15 ft	1' 2"	21.87
20 ft	1' 7"	12.30
30 ft	2' 4"	5.47
40 ft	3' 2"	3.08
50 ft	4'	1.97

PRECISION MR16 2700K 4° 5 W CANDLEPOWER = 7246		
Distance	Foot Candles	
2 ft	1.92"	1259.75
4 ft	3.85"	314.94
6 ft	5.77"	139.97
8 ft	7.69"	78.73
10 ft	9.62"	50.39
15 ft	1' 2"	22.40
20 ft	1' 7"	12.60
30 ft	2' 4"	5.60
40 ft	3' 2"	3.15
50 ft	4'	2.02

PRECISION MR16 3000K 4° 5 W CANDLEPOWER = 8026		
Distance	Foot Candles	
2 ft	1.92"	1394.25
4 ft	3.85"	348.56
6 ft	5.77"	154.92
8 ft	7.69"	87.14
10 ft	9.62"	55.77
15 ft	1' 2"	24.79
20 ft	1' 7"	13.94
30 ft	2' 4"	6.20
40 ft	3' 2"	3.49
50 ft	4'	2.23

PRECISION MR16 2700K 4° 7 W CANDLEPOWER = 7762		
Distance	Foot Candles	
2 ft	1.92"	1319.75
4 ft	3.85"	329.94
6 ft	5.77"	146.64
8 ft	7.69"	82.48
10 ft	9.62"	52.79
15 ft	1' 2"	23.46
20 ft	1' 7"	13.20
30 ft	2' 4"	5.87
40 ft	3' 2"	3.30
50 ft	4'	2.11

PRECISION MR16 3000K 4° 7 W CANDLEPOWER = 8165		
Distance	Foot Candles	
2 ft	1.92"	1372.00
4 ft	3.85"	343.00
6 ft	5.77"	152.44
8 ft	7.69"	85.75
10 ft	9.62"	54.88
15 ft	1' 2"	24.39
20 ft	1' 7"	13.72
30 ft	2' 4"	6.10
40 ft	3' 2"	3.43
50 ft	4'	2.20

MR16 EDGE WARM DIMMING

DESCRIPTION

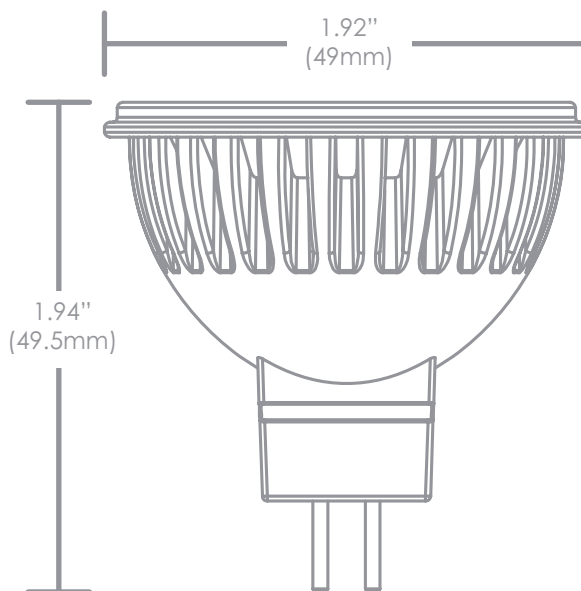
The MR16 Edge Warm Dimming Lamp is engineered to deliver precise, halogen-like dimming performance in a high-efficiency LED format. This lamp operates across a warm dimming range of 1800K to 3000K, dynamically adjusting color temperature in direct correlation with dimming levels to accurately replicate the behavior of incandescent and halogen sources. Its single-diode optical design ensures consistent beam quality, controlled output, and smooth transitions throughout the dimming curve. The lamp is fully dimmable with Brilliance Dimmers, as well as magnetic and ELV transformers, providing stable operation, minimal flicker, and reliable compatibility across a wide range of low-voltage lighting systems.

MR16 EDGE WARM DIMMING FEATURES

- The MR16 Edge Warm Dimming lamp ranges from 1800K - 3000K.
- Features a single diode and the lamp adjusts its Kelvin temperature as it is dimmed to emulate a halogen.
- Dimmable with Brilliance Dimmer, magnetic transformers and ELV transformers.

MR16 EDGE WARM DIMMING SPECS

Wattage	6.6W	
Beam Spread	15°	30°
Lumens	480	560
Kelvin Temperature	1800K - 3000K	
Operating Range	8-25 VAC/DC	
Replaces	35W Halogen	
CRI	93	
IP	60	
Lamp Life (hours)	30,000	
Warranty (years)	3	



Part Number: **MR16-6-WARM-DIM-XX**

Wattage

Beam spread



PAR36



DESCRIPTION

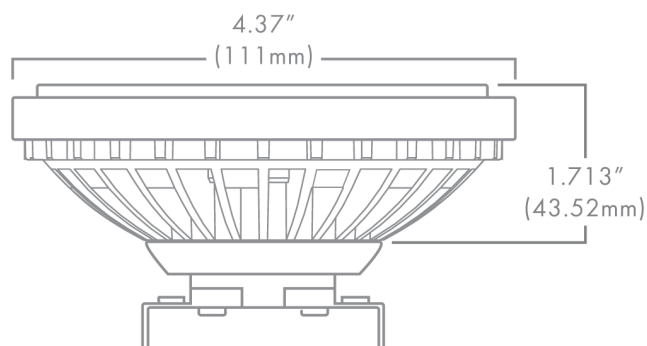
The Brilliance PAR36 lamp is designed to fit in standard low voltage PAR36 fixtures and offers a long lamp life. These LEDs are thermally engineered to operate in enclosed fixtures and provide added security by automatically cooling down and reducing lumen output when exposed to extreme heat, such as air temperatures above 125° F. There is no color shift when lumen output is reduced. Dimmable with Brilliance Dimmer and most magnetic transformers. Suitable for wet locations and for use in totally enclosed luminaires. Not for underwater use.

PAR36 FEATURES

- Earth tone colored housing
- Enhanced ESD (Electro-Static Discharge) protection (IEC-61000-4-2)
- Heat overload protection technology
- Fully potted PC board
- UL Certified E360351

PAR36 SPECS

Wattage	4W	7W	11W	15W
Volt Amps	6.67	10.77	15.94	21.43
Lumens	2700K	435	675	900
	3000K	445	700	950
	5700K	-	743	1333
Beam Spread[†]	15°, 30°, 60°, 120°			
Kelvin Temperature	2700, 3000, 5700			
Color[†]	Amber (7W and 11W in 30°) Red (7W and 11W in 30°) Blue (7W in 30° and 11W in 15° and 30°) Green (7W and 11W in 30°) Silver Green (7W in 15°, 30°, 60°, and 120° and 11W 15°, 30°, 60°)			
Operating Range	8-25 VAC/DC			
Replaces	20W, 35W, 50W Halogen			
CRI	85			
IP	68			
Lamp Life (hours)	50,000			
Warranty (years)	5			



Part Number: **PAR36-X-XXXX-XXX**



[†] Select Beam Spreads Available in Stock. Call 800-867-2108 for availability.

STRIP LIGHT



DESCRIPTION

The Brilliance AC flexible Strip Light is rated for outdoor use. The LEDs on this Strip Light are encased in non-yellowing material. Brilliance Strip Light provides great accent lighting for stairs, railings, and overhangs, plus it installs easily. Incorporate it into a new project or connect it directly to an existing 8 to 16 VAC landscape lighting system. Dimmable with Brilliance Dimmer and most magnetic transformers.



STRIP LIGHT FEATURES

- Recommended max. length per power feed is 40 feet
- Available in 82.25 ft reels (25 meters) or 32.8 ft reels (10 meters)
- Enhanced ESD (Electro-Static Discharge) protection (IEC-61000-4-2)
- UL Certified E487030

Part Number: **BRI-SL3-XXXX-82**

BRI-SL3-XXXX-32

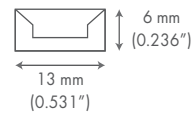
|
Kelvin

NEC® Article 411.5 (B): Lighting systems shall be installed not less than 3m (10ft) horizontally from the nearest edge of the water, unless permitted by Article 680.

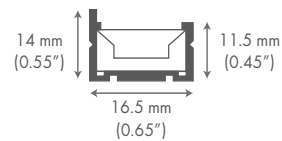
STRIP LIGHT SPECS

Wattage	1.8W per meter
Volt Amps	1.95 per ft
Lumens	45 per ft
Kelvin Temperature	2700, 3000, 5000
Color	Amber (82 ft. only) Blue (82 ft. only)
Operating Range	8-16 VAC/DC
CRI	80
IP	65
Lamp Life (hours)	35,000
Warranty (years)	3

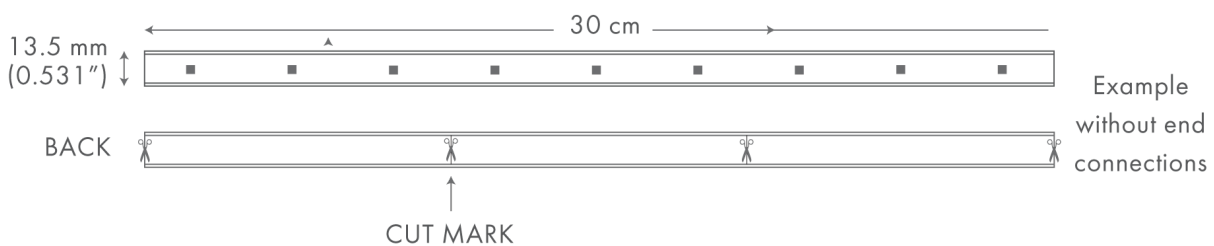
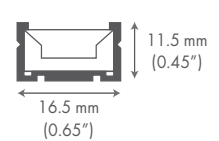
Strip Light



Channel w/
Groove & Glare Shield



Channel w/
Groove



STRIP LIGHT ACCESSORIES



Double-Sided Connector Kit
 Part Number: BRI-SL-A-DSC
 1 - Double-sided connector
 2 - Clear plastic retainers
 2 - Metal anti-slip plates
 1 - Heat shrink tube



Jumper Connector Kit
 Part Number: BRI-SL-A-JC
 1 - Jumper connector (10")
 2 - Clear plastic retainers
 2 - Metal anti-slip plates
 2 - Heat-shrink tubes



90 Jumper Connector Kit
 Part Number: BRI-SL-A-90
 1 - Jumper connector (1")
 2 - Clear plastic retainers
 2 - Metal anti-slip plates
 2 - Heat-shrink tubes



Power Feed Kit
 Part Number: BRI-SL-A-PF
 1 - Power feed (10')
 1 - Clear plastic retainer
 1 - Metal anti-slip plate
 1 - Heat-shrink tube



T Power Feed Connector Kit
 Part Number: BRI-SL-A-T
 1 - "T" power feed connector (3.2')
 2 - Clear plastic retainers
 2 - Metal anti-slip plates
 2 - Heat-shrink tubes



End Cap Kit
 Part Number: BRI-SL-A-EC
 1 - End cap
 1 - Light shield
 1 - Heat-shrink tube



Strip Light Channel w/ Groove
 Part Number: BRI-SL-A-C
 1M (3.2') Channel sections
 5 - Screws



Strip Light Channel w/ Groove & Glare Shield
 Part Number: BRI-SL-A-C2
 1M (3.2') Channel sections
 5 - Screws



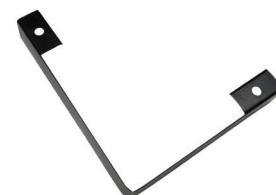
Clip & Screw Kit
 Part Number: BRI-SL-A-C&S
 50 - Plastic clips
 100 - Screws



Diffuser
 Part Number: BRI-SL-A-CD
 1M (3.2') section



Attachment Clip
 Part Number: BRI-SL-A-AC



Stealth Connector Shields
 Part Number: SL-SCS (8")
 Part Number: SL-SCS-w/FACIA (8" w/Facia)

WAVE STRIP LIGHT



DESCRIPTION

Brilliance Wave Strip Light is made specifically to flex left and right for indoor or outdoor applications with a radius and are perfect for fire pits, stairs, hardscaping, and overhangs. Just like our original strip light, the LEDs are encased in a UV protected material and can be incorporated into a new project or connected directly to an existing 8 to 16 VAC landscape lighting system. Dimmable with Brilliance Dimmer and most magnetic transformers. Reference our product and installation guide for assembly instructions and best practices.



Part Number: **BRI-WAVE-2700-65**

2700
Kelvin

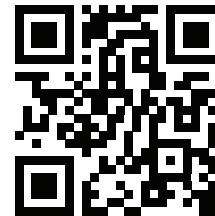
WAVE STRIP LIGHT FEATURES

- Recommended max. length per power feed is 22 feet
- Available in 65.62 ft. reels (20 meters)
- Enhanced ESD (Electro-Static Discharge) protection (IEC-61000-4-2)
- UL Certified E487030

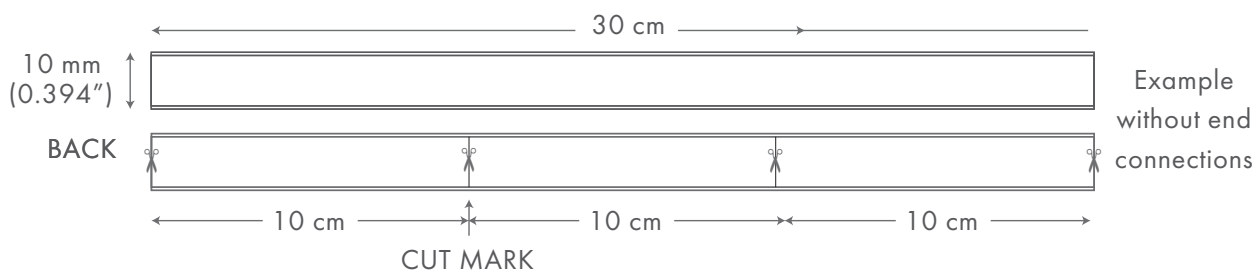
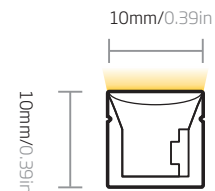
NEC® Article 411.5 (B): Lighting systems shall be installed not less than 3m (10ft.) horizontally from the nearest edge of the water, unless permitted by Article 680.

WAVE STRIP LIGHT SPECS

Wattage	4.5W per meter
Volt Amps	2.5 per ft.
Lumens	30 per ft.
Kelvin Temperature	2700
Operating Range	8-16 VAC/DC
CRI	80
IP	65
Lamp Life (hours)	35,000
Warranty (years)	3



Best Practices Video



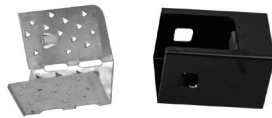
WAVE STRIP LIGHT ACCESSORIES



Power Feed Kit
Part Number: BRI-WAVE-A-PF
1 - Power Feed w/ Metal Cover
1 - Metal Anti-Slip Plate



Jumper Connector Kit
Part Number: BRI-WAVE-A-JC
1 - Jumper Connector
2 - Metal Covers
2 - Metal Anti-Slip Plates



End Cap Kit
Part Number: BRI-WAVE-A-EC
1 - End Cap
1 - Metal Anti-Slip Plate



Channel Mounting Plate
Part Number: BRI-WAVE-A-MP
1 - Mounting Plate
1 - Screw



Channel - Bendable
Part Number: BRI-WAVE-A-BC
1M (3.2') Channel sections
1 - Bendable Channel
5 - Screws



Channel - Standard
Part Number: BRI-WAVE-A-SC
1M (3.2') Channel sections
1 - Standard Channel
5 - Screws

LOW VOLTAGE



CANDELABRA EDGE FILAMENT

DESCRIPTION

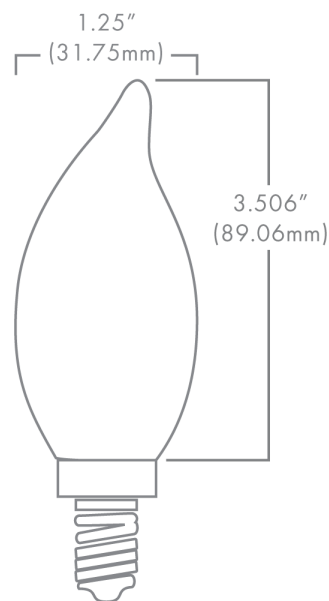
The Brilliance Candelabra Edge Filament lamp is a decorative light source and gives the effect of an original Edison lamp, making it great for indoor chandeliers and anywhere a warm light is desired. Dimmable with Brilliance Dimmer and most magnetic transformers.

CANDELABRA EDGE FILAMENT FEATURES

- Flame tip style
- Clear, omni-directional light source
- Elegant, exposed filament design
- UL Certified E360351

CANDELABRA EDGE FILAMENT SPECS

Wattage	2W	3.5W
Volt Amps	2.35	4.12
Lumens	2700K	105
	3000K	240
Kelvin Temperature	2700, 3000	
Operating Range	12 VAC/DC	
Replaces	40W Incandescent	
CRI	90	
IP	64	
Lamp Life (hours.)	30,000	
Warranty (years)	3	



Part Number: **CAN-FIL-F-XX-XXXX-C-12**

Wattage Kelvin



LOW VOLTAGE

S14 EDGE FILAMENT



DESCRIPTION

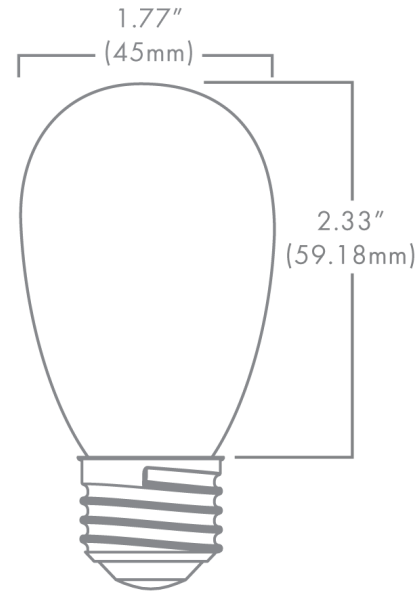
The Brilliance S14 Edge Filament is designed specifically for use in open outdoor fixtures where precision lighting and high color rendering is desired. This lamp is ideal for inverted bistro style lighting. Dimmable with Brilliance Dimmer and most magnetic transformers.

S14 EDGE FILAMENT FEATURES

- Clear, omni-directional light source
- Elegant, exposed filament design
- UL Certified E360351

S14 EDGE FILAMENT SPECS

Wattage	1W	2W	3.5W
Volt Amps	1.33	2.67	3.93
Lumens	2700K	75	125
	3000K	-	135
Kelvin Temperature	2700, 3000		
Operating Range	12 VAC/DC		
CRI	95		
IP	64		
Lamp Life (hours)	30,000		
Warranty (years)	3		



Part Number: **S14-FIL--XX-XXXX-12**

Wattage Kelvin



BISTRO 12 VOLT STRING KIT

DESCRIPTION

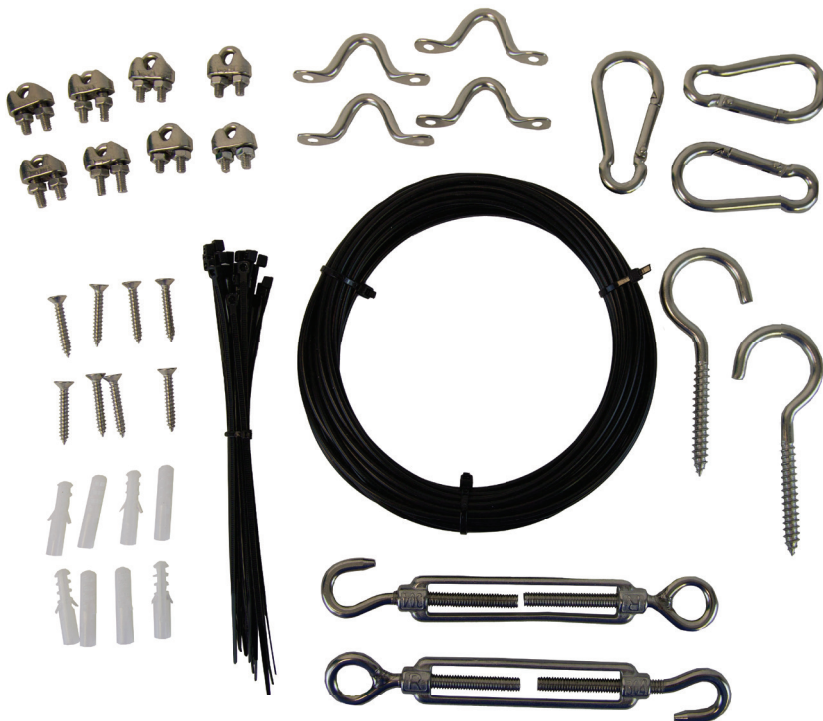
A great addition to any outdoor lighting job, bistro lights add a touch of elegance and ambience for entertaining, the Brilliance Bistro 12 Volt String Kit comes in 26 ft., 52 ft, 98 ft and 150 ft kit options. Use this low voltage bistro string with the corresponding low voltage string connection accessories for custom length bistro lighting. This string is for use with low voltage lamps only. Dimmable with Brilliance Dimmer and most magnetic transformers. Each kit includes bistro string and hanging kit. Lamps and connector accessories sold separately.

BISTRO 12 VOLT STRING KIT FEATURES

- Patented design (U.S. Patent D898986S)
- Uses 14 AWG cable and features a waterproof seal
- Two-way mounting holes at each lamp position eliminate the need for zip ties and creates a more secure installation for the life of the string lights
- Fully dimmable



NEC® Article 411.5 (B): Lighting systems shall be installed not less than 3m (10ft) horizontally from the nearest edge of the water, unless permitted by Article 680.



Two-way mounting holes



BISTRO 12 VOLT STRING KIT SPECS

Operating Range	12VAC			
Total Length	26 ft, 50 ft, 98 ft or 150 ft			
String Lead Length	At least 10 inches of lead required for connections			
Distance Between Lamp Positions	24 inches between lamps			
Connection Accessories Available	Straight Connector: 1 per cable conversion T Connector: 1 per center feed End Cap: 1 per string end			
Includes	Low Voltage Bistro String (14 AWG)			
Item	26' Kit	50' Kit	98' Kit	150' Kit
Sockets	12	24	48	74
String length (in feet)	26	50	98	150
Hanging Kit				
Cable Length (in feet)	56'	56'	156'	156'
Turnbuckles	2	2	4	4
Wire Clamps	8	8	16	16
Zip Ties	25	25	50	50
Hooks	2	2	4	4
Plastic Anchors	8	8	16	16
Screws	8	8	16	16
Carabiners	4	4	8	8
Guides	4	4	8	8
Warranty (years)	2			



Part Numbers:

- BISTROKIT-26-12V-NL**
- BISTROKIT-50-12V-NL**
- BISTROKIT-98-12V-NL**
- BISTROKIT-150-12V-NL**

S14 LAMP REQUIREMENTS

Lamp	1W, 12VAC	2W, 12VAC	3.5W, 12 VAC
Max. # of Lamps	75	50	30
Max. Wattage	125.25 with VA	117.5 with VA	117.9 with VA
Max. String Length	150 ft end-to-end	100 ft end-to-end	60 ft end-to-end

LOW VOLTAGE BISTRO STRING REEL

DESCRIPTION

The Brilliance Low Voltage Bistro String Reel comes in a 328 ft. spool (100m) and can be cut to length per your requirements. Use this low voltage bistro string with the corresponding low voltage string connection accessories for custom length bistro lighting. This string is for use with low voltage lamps only. Dimmable with Brilliance Dimmer and most magnetic transformers. Mounting cable and turnbuckles are not included. Connection accessories and lamps are sold separately.

LOW VOLTAGE BISTRO STRING REEL FEATURES

- Patented design (U.S. Patent D898986S)
- Uses 14 AWG cable and features a waterproof seal
- Two-way mounting holes at each lamp position eliminate the need for zip ties and creates a more secure installation for the life of the string lights

LOW VOLTAGE BISTRO STRING REEL SPECS

Operating Range	12VAC
Total Length	328 feet reel (100 meters) Can be cut to length
String Lead Length	At least 10 inches of lead required for connections
Distance Between Lamp Positions	24 inches between lamps
Includes	Low Voltage Bistro String (14 AWG)
Connection Accessories Available	Straight Connector: 1 per cable conversion T Connector: 1 per center feed End Cap: 1 per string end
Warranty (years)	2

S14 LAMP REQUIREMENTS

Lamp	1W, 12VAC	2W, 12VAC	3.5W, 12 VAC
Max. # of Lamps	75	50	30
Max. Wattage	125.25 with VA	117.5 with VA	117.9 with VA
Max. String Length	150 ft. end-to-end	100 ft. end-to-end	60 ft. end-to-end



Part Number:

LOW-VOLT-BISTRO-REEL

NEC® Article 411.5 (B): Lighting systems shall be installed not less than 3m (10ft.) horizontally from the nearest edge of the water, unless permitted by Article 680.



Two-way mounting holes



120VAC

HONORABLE MENTION
2025 PHOTO CONTEST

Photograph courtesy of National Lawn
Sprinklers & Outdoor Living

LINE VOLTAGE

CANDELABRA EDGE FILAMENT



DESCRIPTION

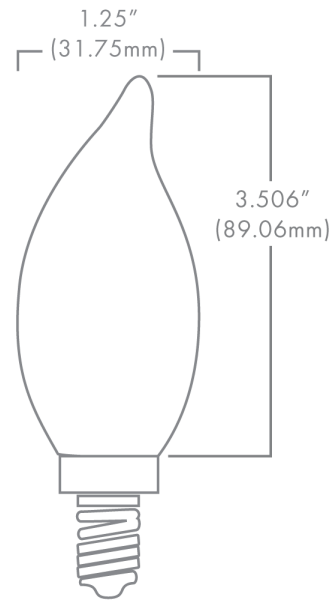
The Brilliance Candelabra Edge Filament lamp is a decorative light source and gives the effect of an original Edison lamp, making it great for indoor chandeliers and anywhere a warm light is desired.

CANDELABRA EDGE FILAMENT FEATURES

- Flame tip style
- Clear omni-directional light source
- Elegant, exposed filament design
- UL Certified E360351

CANDELABRA EDGE FILAMENT SPECS

Wattage	3.5W
Volt Amps	3.89
Lumens	240
Kelvin Temperature	2700
Operating Range	120 VAC
Replaces	40W Incandescent
CRI	90
IP	64
Lamp Life (hours)	30,000
Warranty (years)	3



Part Number: **CAN-FIL-F-2700-C-120**



S14 EDGE FILAMENT



DESCRIPTION

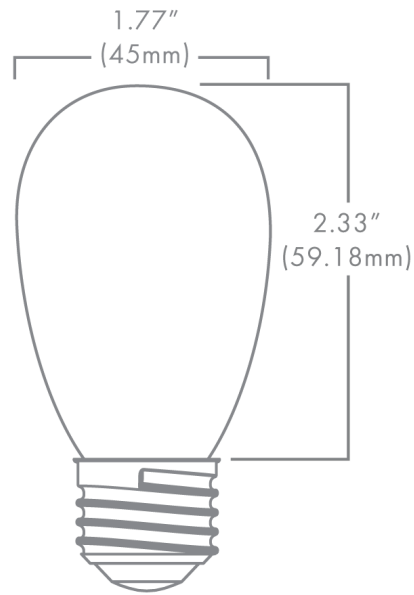
The Brilliance S14 Edge Filament is designed specifically for use in both open outdoor and indoor fixtures where precision lighting and high color rendering is desired, giving the effect of an original Edison lamp. This lamp is ideal for inverted bistro style lighting.

S14 EDGE FILAMENT FEATURES

- Clear, omni-directional light source
- Elegant, exposed filament design
- UL Certified E360351

S14 EDGE FILAMENT SPECS

Wattage	2.5W	3.5W
Volt Amps	2.78	3.89
Lumens	120	295
Kelvin Temperature	2700	
Operating Range	120 VAC	
CRI	95	
IP	64	
Lamp Life (hours)	30,000	
Warranty (years)	3	



Part Number: **S14-FIL-X-XXXX-120**

| |
Wattage Kelvin



BLAZE CANDELABRA



DESCRIPTION

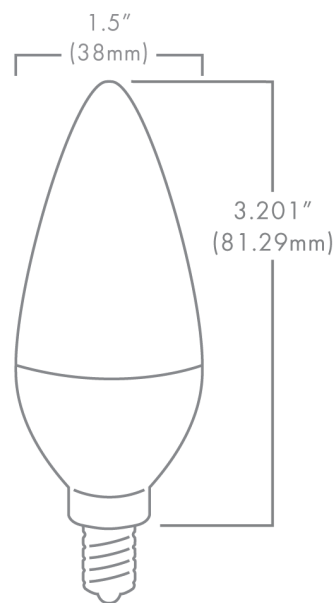
The Brilliance Blaze Candelabra is a specialty lamp designed specifically to create a real, flame-like effect. Perfect for coach lights or anywhere you want a warm, flickering light. The Blaze series is also offered in low voltage in a G4 option.

BLAZE CANDELABRA FEATURES

- Single lamp mode flickering flame effect
- UL Certified E360351

BLAZE CANDELABRA SPECS

Wattage	3W
Volt Amps	3.75
Lumens	30-150
Kelvin Temperature	1700-1900
Operating Range	120 VAC
IP	60
Lamp Life (hours)	30,000
Warranty (years)	3



Part Number: **BRI-BLAZE-CANDELABRA**



LINE VOLTAGE BISTRO STRING LIGHT KIT



LOW VOLTAGE

LINE VOLTAGE

SMART PRODUCTS

METAL WORKS

SOLAR PRODUCTS

RESOURCES

DESCRIPTION

The Brilliance Line Voltage Bistro String Light Kit is designed with two-way mounting holes for easy installation. The connection points are weather sealed, making all 48 feet of string outdoor ready.

LINE VOLTAGE BISTRO STRING LIGHT KIT FEATURES

- Patented design (U.S. Patent D898986S)
- String features a waterproof seal
- Two-way mounting holes at each lamp position eliminate the need for zip ties and create a more secure installation for the life of the string lights
- ETL Listed 5020354

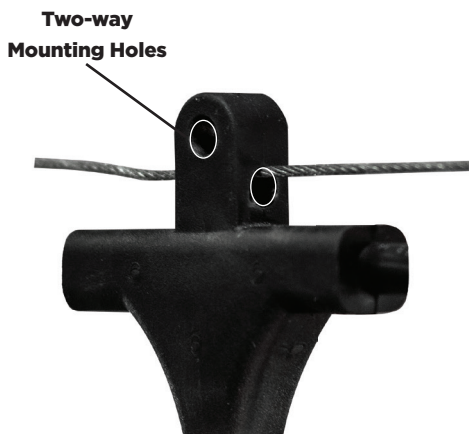
LINE VOLTAGE BISTRO STRING LIGHT KIT

Operating Range	120VAC
Total Length	48 ft
String Lead Length	15 in. on both ends
Lamp Positions	24
Includes	24 S14 Filament, 2.5W, 2700K Lamps, Bistro String, 2 Replacement Fuses
Warranty (years)	String: 2yrs Lamps: 3yrs



Part Number:
LINE-VOLT-BISTRO-KIT

NEC® Article 411.5 (B): Lighting systems shall be installed not less than 3m (10ft) horizontally from the nearest edge of the water, unless permitted by Article 680.





SMART PRODUCTS & CONTROLS



Brilliance Smart App Download

Scan the QR Code below to download Brilliance Smart!

With Brilliance Smart, you have control over all of our Smart Products from anywhere in the world by using an iOS or Android device.

- Smart Products:
- Chameleon Programming Puck
 - Chameleon G4 Bi-Pin
 - Chameleon MR16
 - Chameleon PAR36
 - Wi-Fi Smart Socket 3
 - Sector Selector

For more information, visit:
brillianceled.com/smart-products



Brilliance Smart App Download



CHAMELEON PROGRAMMING PUCK



DESCRIPTION

The Brilliance Chameleon Programming Puck is a handy tool to set up any Chameleon series lamp, using any 12-volt AC or DC power source. Battery pack and batteries included.



Part Number:
PROGRAMMING-PUCK

CHAMELEON G4 BI-PIN

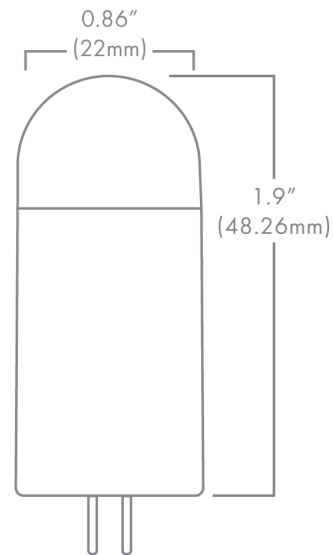


DESCRIPTION

Bring color to your lighting design with Brilliance Chameleon G4 lamps. Control dimming from 2200K to 5700K and a wide range of reds, greens, and blues from your smart device. Suitable for damp locations and for use in totally enclosed luminaires. Not for underwater use.

CHAMELEON G4 BI-PIN FEATURES

- Wi-Fi enabled
- RGBW - 2200K to 5700K and a wide range of reds, greens, and blues
- Control landscape lighting from your smart phone
- Use Brilliance Smart app to change lamp settings
 - Turn on and off
 - Set and change colors
 - Set and control dimming
 - Set and control schedules
 - Set astronomical timers for sunrise/sunset
 - Program custom scenes to run with one tap
 - Control devices independently or as a group
- Android and iOS compatible



Part Number: **BRI-G4-CHM-2.5-RGBW**



TECHNICAL REQUIREMENTS: Must have consistent 2.4 GHz Wi-Fi signal at the installation location with dBm strength of -70 or better. See the Brilliance Smart Products Guide for more information and troubleshooting.

CHAMELEON G4 BI-PIN SPECS

Wattage	2.5W
Volt Amps	4.17
Lumens	190-250
Kelvin Temperature	2200-5700
Beam Spread	Omni-directional
Color	RGBW
Input Voltage	8-18 VAC/DC/60Hz
Replaces	20W Halogen
CRI	80
IP	65
Lamp Life (hours)	50,000
Warranty (years)	5



Brilliance Smart app



Chameleon Set Up



CHAMELEON MR16

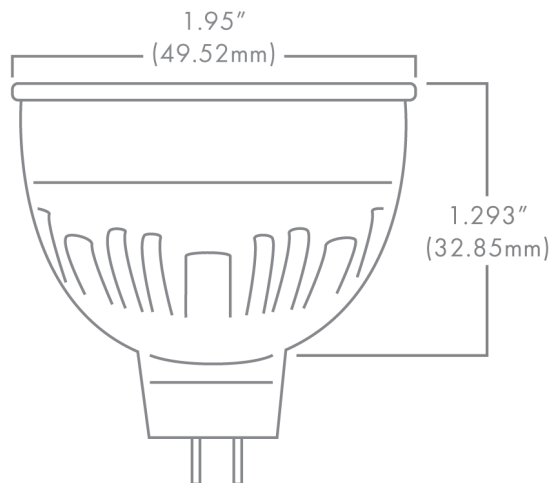


DESCRIPTION

Bring color to your lighting design with Brilliance Chameleon MR16 lamps. Control dimming from 2200K to 5700K and a wide range of reds, greens, and blues from your smart device. Suitable for damp locations and for use in totally enclosed luminaires. Not for underwater use.

CHAMELEON MR16 FEATURES

- Wi-Fi enabled
- RGBW - 2200K to 5700K and a wide range of reds, greens, and blues
- Control landscape lighting from your smart phone
- Use Brilliance Smart app to change lamp settings
 - Turn on and off
 - Set and change colors
 - Set and control dimming
 - Set and control schedules
 - Set astronomical timers for sunrise/sunset
 - Program custom scenes to run with one tap
 - Control devices independently or as a group
- Android and iOS compatible



Part Number: **BRI-MR16-CHM-6-RGBW-38**



TECHNICAL REQUIREMENTS: Must have consistent 2.4 GHz Wi-Fi signal at the installation location with dBm strength of -70 or better. See the Brilliance Smart Products Guide for more information and troubleshooting.



Brilliance Smart app



Chameleon Set Up



CHAMELEON MR16 SPECS

Wattage	6W
Volt Amps	9.23
Lumens	328-441
Kelvin Temperature	2200-5700
Beam Spread	38°
Color	RGBW
Input Voltage	11-18 VAC/DC/60Hz
Replaces	35W Halogen
CRI	80
IP	61
Lamp Life (hours)	50,000
Warranty (years)	5

CHAMELEON PAR36



LOW VOLTAGE

LINE VOLTAGE

SMART PRODUCTS

METAL WORKS

SOLAR PRODUCTS

RESOURCES

DESCRIPTION

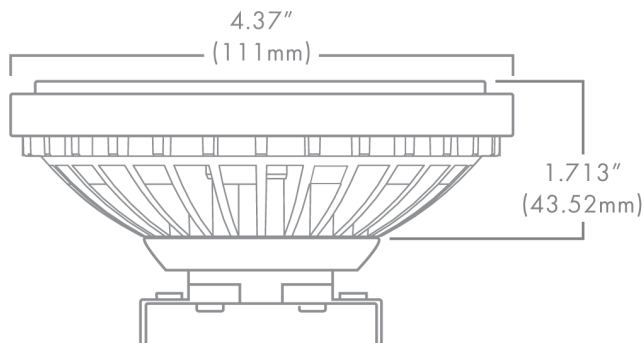
Bring color to your lighting design with Brilliance Chameleon PAR36 lamps. Control dimming from 2200K to 5700K and a wide range of reds, greens, and blues from your smart device. Suitable for damp locations and for use in totally enclosed luminaires. Not for underwater use.

CHAMELEON PAR36 FEATURES

- Wi-Fi enabled
- RGBW - 2200K to 5700K and a wide range of reds, greens, and blues
- Control landscape lighting from your smart phone
- Use Brilliance Smart app to change lamp settings
 - Turn on and off
 - Set and change colors
 - Set and control dimming
 - Set and control schedules
 - Set astronomical timers for sunrise/sunset
 - Program custom scenes to run with one tap
 - Control devices independently or as a group
- Android and iOS compatible

CHAMELEON PAR36 SPECS

Wattage	9W
Volt Amps	13.85
Lumens	442-686
Kelvin Temperature	2200-5700
Beam Spread	15°, 30°, 60°
Color	RGBW
Input Voltage	8-25 VAC/DC/60Hz
Replaces	35W Halogen
CRI	80
IP	67
Lamp Life (hours)	50,000
Warranty (years)	5



Part Number: **BRI-PAR36-CHM-9-RGBW-XX**

Beam spread



TECHNICAL REQUIREMENTS: Must have consistent 2.4 GHz Wi-Fi signal at the installation location with dBm strength of -70 or better. See the Brilliance Smart Products Guide for more information and troubleshooting.



Brilliance Smart app



Chameleon Set Up



WI-FI SMART SOCKET 3.0

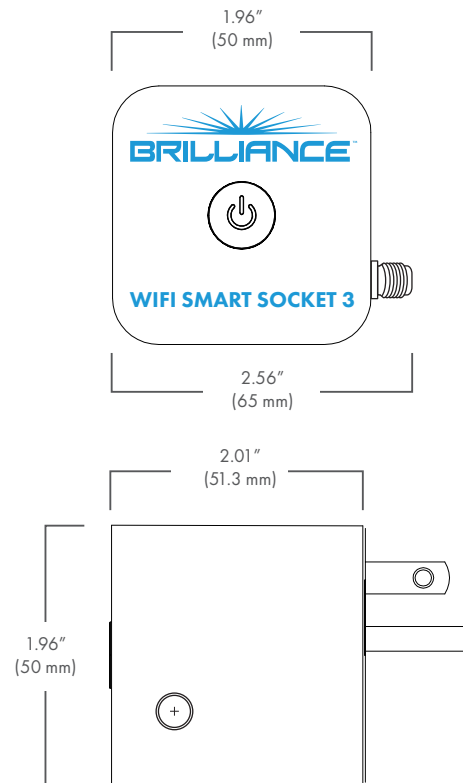


DESCRIPTION

The Brilliance Wi-Fi Smart Socket 3.0 is designed specifically to pair with a landscape lighting transformer in lieu of a traditional photocell, however you can also use it in outdoor enclosures for lighting and decor, and even indoors for any electronic device. Remotely control your lighting and electronics from anywhere in the world with the Brilliance Smart app.

WI-FI SMART SOCKET 3.0 FEATURES

- New antenna promotes improved Wi-Fi signal
- Plugs directly into 120 VAC outlet
- Made for indoor or outdoor enclosures
- Conformal coating circuits protect against humidity
- Control landscape lighting and electronics from Brilliance Smart App
 - Turn on or off from anywhere
 - Set and change timers
 - Share devices with family
 - Use third-party controls like Alexa and Google Assistant
- Android and iOS compatible
- ETL Listed in US and Canada
- Easy access to instruction via QR code on top



Part Number:
BRI-WIFI-SMART-SOCKET-3

WI-FI SMART SOCKET 3.0 SPECS

Capacity	10 Amps
Input Voltage	120 VAC
ETL Listed Mark	5025307
IP	61
Warranty (years)	2



TECHNICAL REQUIREMENTS: Must have consistent 2.4 GHz Wi-Fi signal at the installation location with dBm strength of -70 or better. See the Brilliance Smart Products Guide for more information and troubleshooting. Must be placed in landscape lighting transformer or in a covered receptacle box.

BRILLIANCE LED DIMMER



DESCRIPTION

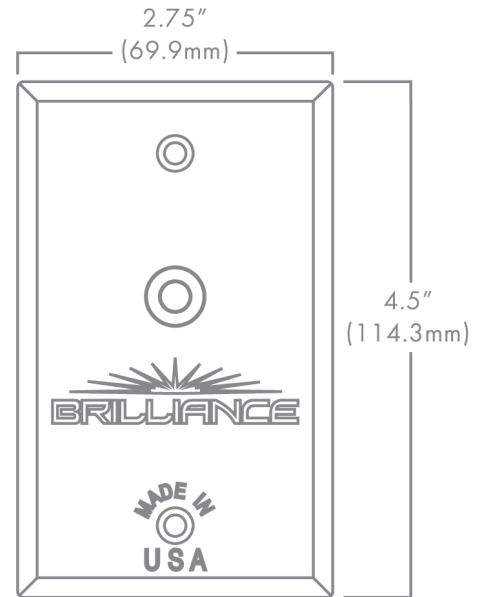
The Brilliance LED Dimmer provides 12 VAC dimming for up to 120 Watts. This unit can be mounted next to the 12 VAC transformer or anywhere in the field and is compatible with all Brilliance LED lamps. Note that the Dimmer range may vary depending upon load that is applied. Made in America.

BRILLIANCE LED DIMMER FEATURES

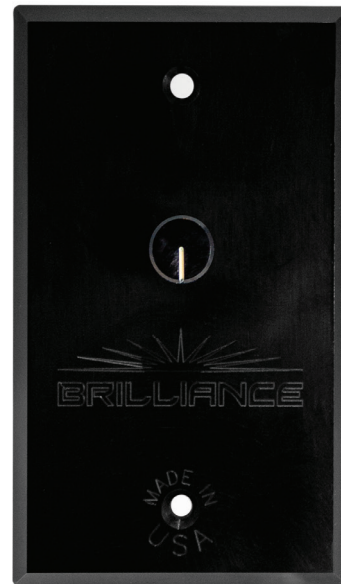
- Installs in single-gang deep junction box on the low-voltage side of magnetic step-down transformer
- Includes: Dimmer Plate; Gasket; Wire Nuts; Plate Screws; Spare Fuse; Set Up Instructions

BRILLIANCE LED DIMMER SPECS

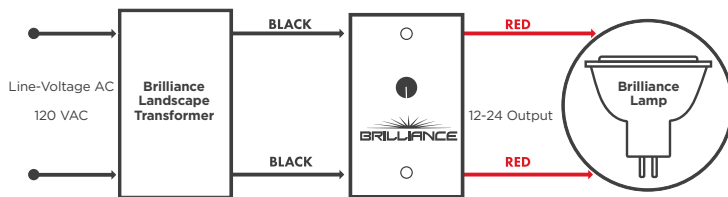
Wattage	120
Operating Range	12-15 VAC
Capacity	10 Amps
Minimum Load	None
IP	63
Warranty (years)	3



Part Number:
12-VAC-DIMMER-SWITCH



WIRING DIAGRAM



TECHNICAL REQUIREMENTS: Always use the supplied gasket to protect against water ingress. In applications where the environment can be extremely wet, we recommend using a cover to protect against water ingress.

TRANSFORMERS



DESCRIPTION

The Brilliance Transformer features a high-quality, stainless-steel case and includes multi taps to accommodate voltage drop. Available in 75, 150, 300, and 600 watts, these transformers are sure to support any size of project.

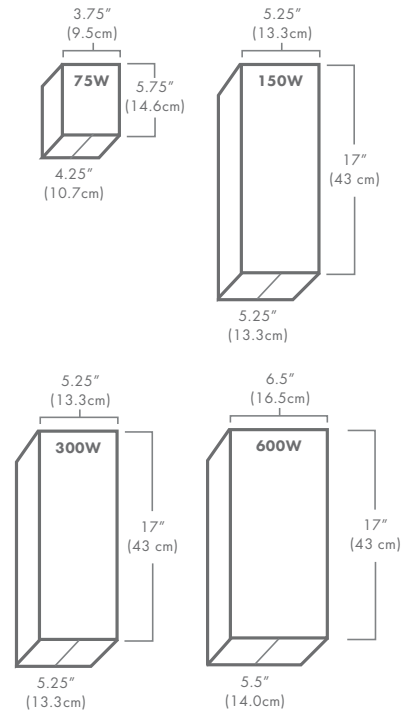
The transformer has indicator lights which serve two purposes. When the transformer is plugged in the green light allows you to know that there is power to the transformer. When the blue light comes on, it shows that you have power to the field and that the Smart Socket or timer is engaged. This allows for quick troubleshooting for contractors in field.

Easy Troubleshooting: As a contractor, if you get called by the homeowner and are told that the lights are not coming on, you can direct them to open the Brilliance transformer to see if the green indicator light is on. If the green indicator is on, this means there is power to the unit. If the green indicator is not on, this means there is no power going to the transformer. This may be easily fixable by a GFCI reset.

Pair with the Smart Socket 3.0 (sold separately) for astronomical timing via the Brilliance Smart app.

Pair with a Photocell (sold separately) for technology-free astronomical timing.

Create up to four zones on a single transformer with up to 200 Watts per sector with the award-winning Sector Selector (sold separately).



Part Number:

BRI-XFORMER-XX

Wattage

TRANSFORMER FEATURES

- UL 1838 Certified
- Secondary circuit breaker
- Two knockout sizes for conduit
- Removable bottom & 4ft. Grounded plug
- Canted terminal block for easy access
- 3/4" PVC Adapters Included
- Indicator lights for easy troubleshooting
 - Green light indicates there is power to the transformer
 - Blue light indicates you have power to the field



Indicator Lights



75W



150W



300W



600W



BRI-XFORMER-300

TRANSFORMER SPECS

Wattage	75	150	300	600
Finish	Stainless-Steel	Stainless-Steel	Stainless-Steel	Stainless-Steel
Timer	Included	Compatible	Compatible	Compatible
Secondary Circuit Breaker	Red	Orange	White	Circuit #1 & Circuit #2, White
Multi Tap	12V, 15V	12V, 13V, 14V, 15V	12V, 13V, 14V, 15V	12V, 14V, 16V, 18V, 20V, 22V
Dimensions (in.)	3.75 x 5.75 x 4.25	5.25 x 17 x 5.25	5.25 x 17 x 5.25	6.5 x 17 x 5.5
Dimmable	On Primary Side	On Primary Side	On Primary Side	On Primary Side
Warranty	Lifetime	Lifetime	Lifetime	Lifetime

TECHNICAL REQUIREMENTS: Design and plan lighting systems with volt amps in mind. Use the Brilliance Volt Amps chart to estimate the total draw on the system and choose the appropriate size of transformer accordingly.

BRILLIANCE RELAY

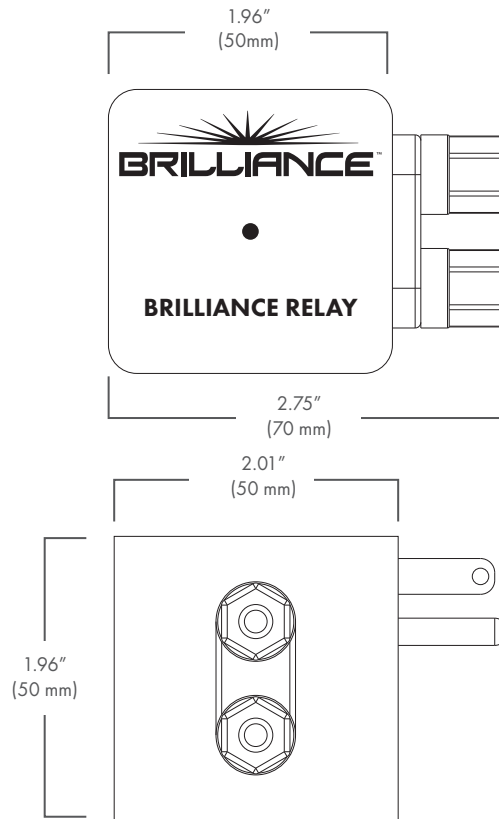


DESCRIPTION

The Brilliance Relay is a switch that allows you to control another landscape lighting transformer down the line with a single timing device, like a photocell or a Brilliance Smart Socket 3.0. You can use as many Brilliance Relays as needed in a system, and all the Relays in the system use the same initial timing device. This is helpful when you need to synchronize multiple transformers to operate at the same time. The 12-15 VAC connection activates the on/off function of the Relay device.

BRILLIANCE RELAY FEATURES

- Designed specifically for landscape lighting transformers
- Plugs directly into 120 VAC outlet
- Ensures the entire system is timed the same since they all use the same timing device
- Conformal coating circuits protect against the elements
- ETL Listed in US and Canada
- Easy access to instruction via QR code on top



Part Number:

BRI-RELAY

BRILLIANCE RELAY SPECS

Input Voltage	120 VAC
Frequency	50/60 Hz
Operating Range	32°F to 131°F
Wattage	1200W
Capacity	10 Amps
Minimum Load	None
IP	50
Warranty (years)	3



TECHNICAL REQUIREMENTS: For indoor use or use in an electrical enclosure, such as a transformer or a junction box. Directly plug in with the main supply. See the Brilliance Relay Product and Installation Guide for more information.

SECTOR SELECTOR



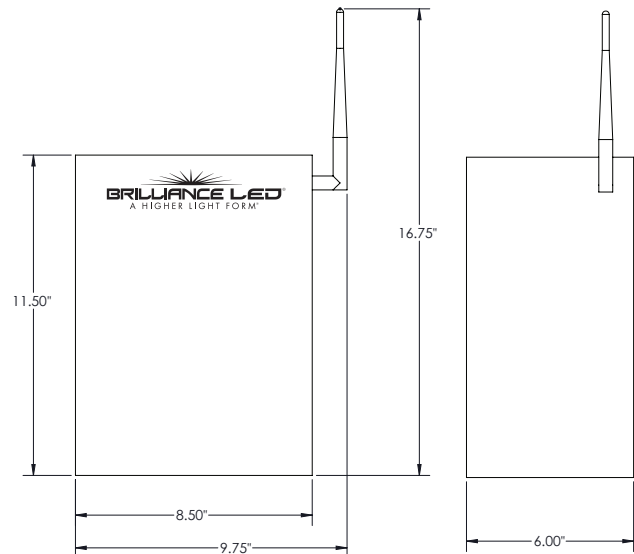
DESCRIPTION

Use the Brilliance Sector Selector to create specific sectors or zones that can be controlled independently from a single transformer. The Sector Selector can split a single transformer into four separate zones with up to 200 watts to each sector.

Use these zones to separate lighting schedules and scenarios to create special scenes or layers of light in your landscaping. For example, separate a front yard from a back yard, or independently control lighting for water/architectural features, outdoor kitchens, around pool and spa areas, outdoor decks or seating areas, or path and garden lighting.

SECTOR SELECTOR FEATURES

- Compatible with any transformer and works on AC/DC
- Create up to four zones on a single transformer, with up to 200 Watts per sector, and manage with the Brilliance Smart App
- Fitted with two 3/4" PVC conduit adapters to accommodate four 12-2 AWG cables
- Installs on the low-voltage side of magnetic transformer
- Unit receives its power through Sector 1 and draws 5 Watts in order to function
- Includes: Sector Selector Enclosure; (4) Enclosure Mounting Tabs with Screws; (4) Exterior Mounting Anchors with Screws; High Range Antenna; (20) U Connectors; (2) Terminal Covers; Sector Chart; Product and Installation Guide



Part Number:

BRI-SECTOR-SELECTOR

2022 
NEW PRODUCT
CONTEST Winner
Irrigation Association

GOLD | Landscape Lighting Category

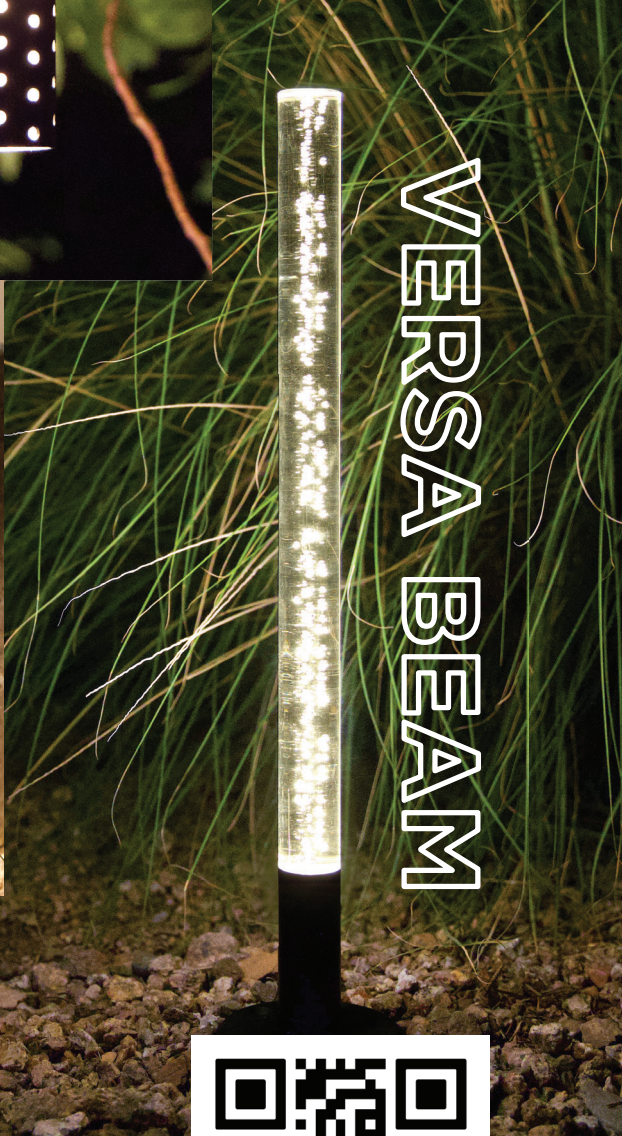


SECTOR SELECTOR SPECS

Wattage	200W per Sector
Input Voltage	12-24 VAC/DC
Capacity	800W
Minimum Load	None
IP	65
Warranty (years)	3

METAL WORKS

LANDSCAPE LIGHTING FIXTURES



VERSA BEAM



Metal Works Website

VERSA BEAM

Modular Integrated Fixture



LOW VOLTAGE

LINE VOLTAGE

SMART PRODUCTS

METAL WORKS

SOLAR PRODUCTS

RESOURCES

DESCRIPTION

The Brilliance Versa Beam is designed to be an easy-to-install, versatile light source. The Versa Beam can be used to achieve nearly any lighting configuration in landscape lighting designs. Because of its modular design, the Versa Beam can be used in hanging applications, hardscape applications, in ground applications, and overall landscape lighting. It provides indirect light for interest, as well as safety. It is dimmable with the Brilliance Dimmer and most magnetic transformers. ETL Certified for UL 1838 and CSA C22.2 Standards.

All configuration options use the same light engine with 3W, 180 lumen output, 8-15 VAC, and 90 CRI. The brass light engine housing ensures the Versa Beam dissipates heat efficiently while withstanding harsh elements and is rated IP 65. Best of all, the Versa Beam comes fully assembled with finish and configuration option of your choice already attached, so it is ready to use out of the box.

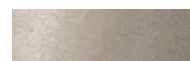
If used as a directional light, the 30 degree optic is pre-installed. If you prefer the 15, or 60 degrees, choose the optic of your choice from the interchangeable options, or remove the optic for a wider beam angle. Then, simply install the fixture in one of its many applications.

In hardscape and masonry applications, the Versa Beam is designed to be recessed into standard 1" electrical conduit, making rough-ins simple, without the need for complicated back boxes or pour sleeves.

Standard Versa Beam Light Engine



Brass (BR)



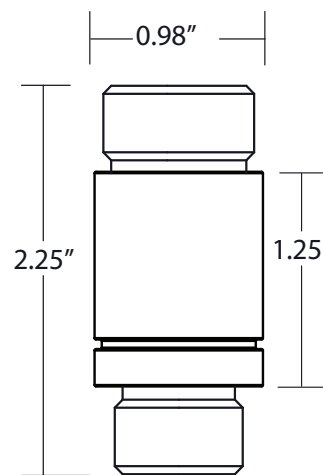
Nickel (NI)



Brass + Black (BK)



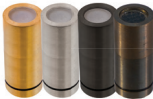

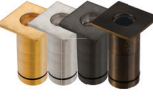


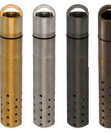






Weathered Brass (WB)



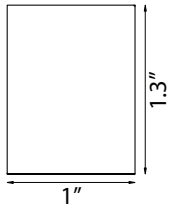
Standard Versa Beam Light Engine

VERSA BEAM

Use	Areas with Elevation Changes, Hardscape, Hanging or Overall Landscape Lighting Recommended Drill bit size: 1 5/16" (1.3125")
Finish	Brass, Nickel, Brass + Black, and Weathered Brass
Includes	Versa Beam Light Engine, 12ft. Lead, See each configuration for additional items included
Warranty	5-Year Warranty on Versa Beam Fixtures

VERSA BEAM CONFIGURATIONS		2700K	3000K	
VB-01	CAP: Uplighting applications <i>Includes Cap, Light Engine, Optics (15°, 30°, 60°), Honeycomb Louver, & Bamboo/Polypropylene Mounting Stake</i>	VB-01-BR-2700 VB-01-BK-2700 VB-01-NI-2700 VB-01-WB-2700	VB-01-BR-3000 VB-01-BK-3000 VB-01-NI-3000 VB-01-WB-3000	
VB-02	ROUND FLANGE: Up lighting, path marker lighting, or recessed lighting applications <i>Includes Round Flange, Light Engine, Optics (15°, 30°, 60°), & Honeycomb Louver</i>	VB-02-BR-2700 VB-02-BK-2700 VB-02-NI-2700 VB-02-WB-2700	VB-02-BR-3000 VB-02-BK-3000 VB-02-NI-3000 VB-02-WB-3000	
VB-03	SQUARE FLANGE: Up lighting, path marker lighting, or recessed lighting applications <i>Includes Square Flange, Light Engine, Optics (15°, 30°, 60°), & Honeycomb Louver</i>	VB-03-BR-2700 VB-03-BK-2700 VB-03-NI-2700 VB-03-WB-2700	VB-03-BR-3000 VB-03-BK-3000 VB-03-NI-3000 VB-03-WB-3000	
VB-04	6" ACRYLIC BUBBLE ROD: Down lighting and ornamental lighting applications <i>Includes 6" Acrylic Bubble Rod, Light Engine, Hanging Loop, & Bamboo/Polypropylene Mounting Stake</i>	VB-04-BR-2700 VB-04-BK-2700 VB-04-NI-2700 VB-04-WB-2700	VB-04-BR-3000 VB-04-BK-3000 VB-04-NI-3000 VB-04-WB-3000	
VB-05	12" ACRYLIC BUBBLE ROD: Down lighting and ornamental lighting applications <i>Includes 12" Acrylic Bubble Rod, Light Engine, Hanging Loop, & Bamboo/Polypropylene Mounting Stake</i>	VB-05-BR-2700 VB-05-BK-2700 VB-05-NI-2700 VB-05-WB-2700	VB-05-BR-3000 VB-05-BK-3000 VB-05-NI-3000 VB-05-WB-3000	
VB-06	PERFORATED SHIELD: Down lighting and accent lighting applications <i>Includes Perforated Shield, Light Engine, Hanging Loop</i>	VB-06-BR-2700 VB-06-BK-2700 VB-06-NI-2700 VB-06-WB-2700	VB-06-BR-3000 VB-06-BK-3000 VB-06-NI-3000 VB-06-WB-3000	
VB-07	ROUND 4 WINDOW: Path marker applications <i>Includes Round 4 Window, Light Engine</i>	VB-07-BR-2700 VB-07-BK-2700 VB-07-NI-2700 VB-07-WB-2700	VB-07-BR-3000 VB-07-BK-3000 VB-07-NI-3000 VB-07-WB-3000	
VB-08	SQUARE 4 WINDOW: Path marker applications <i>Includes Square 4 Window, Light Engine</i>	VB-08-BR-2700 VB-08-BK-2700 VB-08-NI-2700 VB-08-WB-2700	VB-08-BR-3000 VB-08-BK-3000 VB-08-NI-3000 VB-08-WB-3000	
VB-09	ROUND EYEBROW: Path marker lighting and hardscape accent lighting applications <i>Includes Round Eyebrow, Light Engine</i>	VB-09-BR-2700 VB-09-BK-2700 VB-09-NI-2700 VB-09-WB-2700	VB-09-BR-3000 VB-09-BK-3000 VB-09-NI-3000 VB-09-WB-3000	
VB-10	SQUARE EYEBROW: Path marker lighting and hardscape accent lighting applications <i>Includes Round Eyebrow, Light Engine</i>	VB-10-BR-2700 VB-10-BK-2700 VB-10-NI-2700 VB-10-WB-2700	VB-10-BR-3000 VB-10-BK-3000 VB-10-NI-3000 VB-10-WB-3000	
VB-11	KNUCKLE, SHIELD, AND CAP: Directional lighting, up lighting, or down lighting if used with a standard mount <i>Includes Knuckle, Shield, Cap, Light Engine, Optics (15°, 30°, 60°), & Honeycomb Louver, & Bamboo/Polypropylene Mounting Stake</i>	VB-11-BR-2700 VB-11-BK-2700 VB-11-NI-2700 VB-11-WB-2700 VB-11-WH-2700	VB-11-BR-3000 VB-11-BK-3000 VB-11-NI-3000 VB-11-WB-3000 VB-11-WH-3000	
VB-12	ACRYLIC CAP: Uplighting applications <i>Includes Acrylic Cap, Light Engine</i>	VB-12-BR-2700 VB-12-BK-2700 VB-12-NI-2700 VB-12-WB-2700		

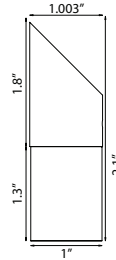
VERSA BEAM SOIL APPLICATIONS



VB-01 | Cap

Includes Cap, Light Engine, Optics (15°, 30°, 60°), Honeycomb Louver, & Bamboo/Polypropylene Mounting Stake

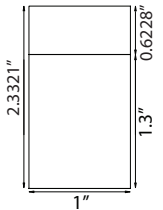
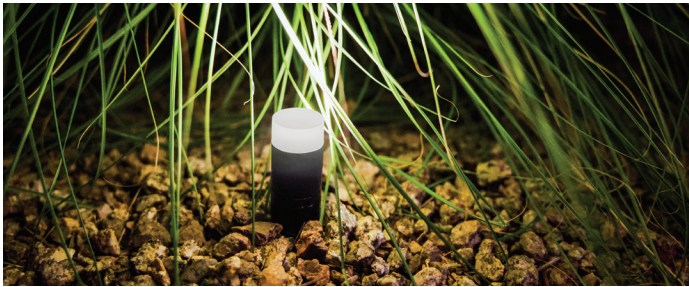
	2700K	3000K
Brass	VB-01-BR-2700	VB-01-BR-3000
Black Brass	VB-01-BK-2700	VB-01-BK-3000
Nickel	VB-01-NI-2700	VB-01-NI-3000
Weathered Brass	VB-01-WB-2700	VB-01-WB-3000



VB-11 | Knuckle, Shield, Cap

Includes Knuckle, Shield, Cap, Light Engine, Optics (15°, 30°, 60°), Honeycomb Louver, & Bamboo/Polypropylene Mounting Stake

	2700K	3000K
Brass	VB-11-BR-2700	VB-11-BR-3000
Black Brass	VB-11-BK-2700	VB-11-BK-3000
Nickel	VB-11-NI-2700	VB-11-NI-3000
Weathered Brass	VB-11-WB-2700	VB-11-WB-3000

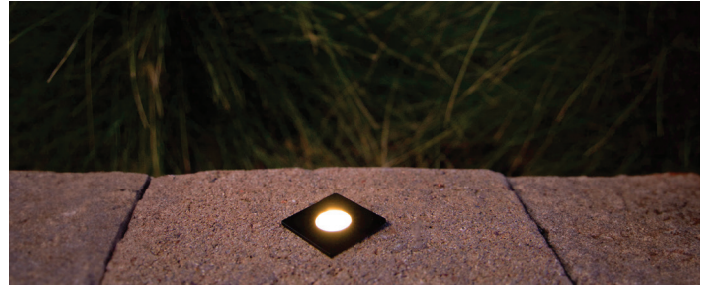


VB-12 | Acrylic Cap

Includes Acrylic Cap, Light Engine

	2700K
Brass	VB-12-BR-2700
Black Brass	VB-12-BK-2700
Nickel	VB-12-NI-2700
Weathered Brass	VB-12-WB-2700

VERSA BEAM FLANGE + OPTIC APPLICATIONS



VB-02 | Round Flange
Includes Round Flange, Light Engine, Optics (15°, 30°, 60°), & Honeycomb Louver

	2700K	3000K
Brass	VB-02-BR-2700	VB-02-BR-3000
Black Brass	VB-02-BK-2700	VB-02-BK-3000
Nickel	VB-02-NI-2700	VB-02-NI-3000
Weathered Brass	VB-02-WB-2700	VB-02-WB-3000

VB-03 | Square Flange
Includes Square Flange, Light Engine, Optics (15°, 30°, 60°), & Honeycomb Louver

	2700K	3000K
Brass	VB-03-BR-2700	VB-03-BR-3000
Black Brass	VB-03-BK-2700	VB-03-BK-3000
Nickel	VB-03-NI-2700	VB-03-NI-3000
Weathered Brass	VB-03-WB-2700	VB-03-WB-3000

VERSA BEAM FLANGE APPLICATIONS

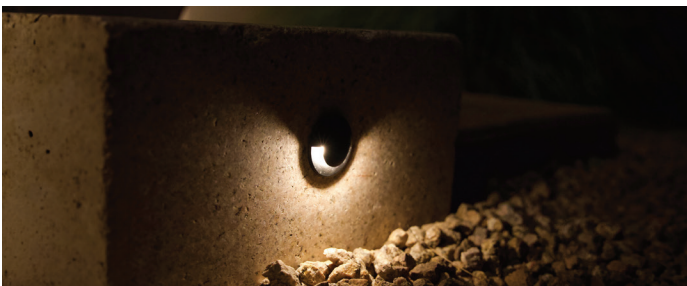


VB-07 | Round 4 Window
Includes Round 4 Window, Light Engine

	2700K	3000K
Brass	VB-07-BR-2700	VB-07-BR-3000
Black Brass	VB-07-BK-2700	VB-07-BK-3000
Nickel	VB-07-NI-2700	VB-07-NI-3000
Weathered Brass	VB-07-WB-2700	VB-07-WB-3000

VB-08 | Square 4 Window
Includes Square 4 Window, Light Engine

	2700K	3000K
Brass	VB-08-BR-2700	VB-08-BR-3000
Black Brass	VB-08-BK-2700	VB-08-BK-3000
Nickel	VB-08-NI-2700	VB-08-NI-3000
Weathered Brass	VB-08-WB-2700	VB-08-WB-3000



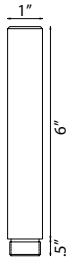
VB-09 | Round Eyebrow
Includes Round Eyebrow, Light Engine

	2700K	3000K
Brass	VB-09-BR-2700	VB-09-BR-3000
Black Brass	VB-09-BK-2700	VB-09-BK-3000
Nickel	VB-09-NI-2700	VB-09-NI-3000
Weathered Brass	VB-09-WB-2700	VB-09-WB-3000

VB-10 | Square Eyebrow
Includes Square Eyebrow, Light Engine

	2700K	3000K
Brass	VB-10-BR-2700	VB-10-BR-3000
Black Brass	VB-10-BK-2700	VB-10-BK-3000
Nickel	VB-10-NI-2700	VB-10-NI-3000
Weathered Brass	VB-10-WB-2700	VB-10-WB-3000

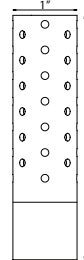
VERSA BEAM HANGING APPLICATIONS



VB-04 | 6" Acrylic Bubble Rod

Includes 6" Acrylic Bubble Rod, Light Engine, Hanging Loop, & Bamboo/Polypropylene Mounting Stake

	2700K	3000K
Brass	VB-04-BR-2700	VB-04-BR-3000
Black Brass	VB-04-BK-2700	VB-04-BK-3000
Nickel	VB-04-NI-2700	VB-04-NI-3000
Weathered Brass	VB-04-WB-2700	VB-04-WB-3000



VB-06 | Perforated Shield

Includes Perforated Shield, Light Engine, & Hanging Loop

	2700K	3000K
Brass	VB-06-BR-2700	VB-06-BR-3000
Black Brass	VB-06-BK-2700	VB-06-BK-3000
Nickel	VB-06-NI-2700	VB-06-NI-3000
Weathered Brass	VB-06-WB-2700	VB-06-WB-3000



VB-05 | 12" Acrylic Bubble Rod

Includes 12" Acrylic Bubble Rod, Light Engine, Hanging Loop, & Bamboo/Polypropylene Mounting Stake

	2700K	3000K
Brass	VB-05-BR-2700	VB-05-BR-3000
Black Brass	VB-05-BK-2700	VB-05-BK-3000
Nickel	VB-05-NI-2700	VB-05-NI-3000
Weathered Brass	VB-05-WB-2700	VB-05-WB-3000

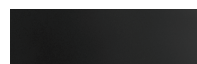
BLACK DIAMOND DIRECTIONAL LIGHT

DESCRIPTION

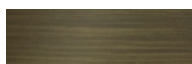
The Black Diamond Directional Light is available without a lamp or with an MR16 Ecostar lamp and is ready to install right out of the box. It includes a glass convex lens to prevent water build up. The solid brass construction features a black (BK) or bronze (BZ) baked enamel finish, and the design includes two O-rings to mitigate water and condensation intrusion. The directional light features an adjustment system, which allows for 25 points of articulation of the knuckle. A set screw secures the fixture's cap, so it does not come off when pointed down, and the knob makes it easy to find and adjust in low light.

BLACK DIAMOND DIRECTIONAL LIGHT

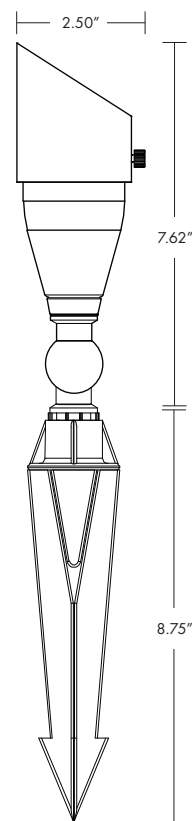
Use	Uplighting, Grazing, Backlighting, and Wall Washing (When Used with 120 Degree Lamps Only)	
Finish	Black or Bronze	
Includes	Glass Convex Lens, Mounting Stake and 30 in. Lead	
Warranty	10-Year Warranty on Black Diamond Fixtures	
Order With Lamp	MR16 Ecostar, 4W, 2700K, 30°	BD-DL-ECO-MR16-BK BD-DL-ECO-MR16-BZ
	MR16 Ecostar, 4W, 3000K, 30°	BD-DL-ECO-MR16-BK-3000 BD-DL-ECO-MR16-BZ-3000
Order Without Lamp	Fits MR16	BD-DL-ECO-MR16-BK-NL BD-DL-ECO-MR16-BZ-NL



Black Brass
Baked Enamel (BK)



Bronze Baked
Enamel (BZ)



BLACK DIAMOND MODERN PATH LIGHT

DESCRIPTION

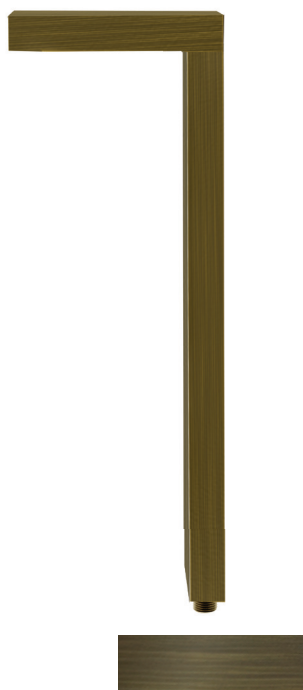
The Black Diamond Modern Path Light is available without a lamp or with a G4 Wafer lamp (3W 2700K 120° beam spread 300 Lumens) to be installed. Simply install the lamp and screw on the glass lens. This modern fixture is a downward facing path light perfect for path, area, and garden accent lighting. The solid brass construction features a black or bronze (BZ) baked enamel finish.

BLACK DIAMOND MODERN PATH LIGHT

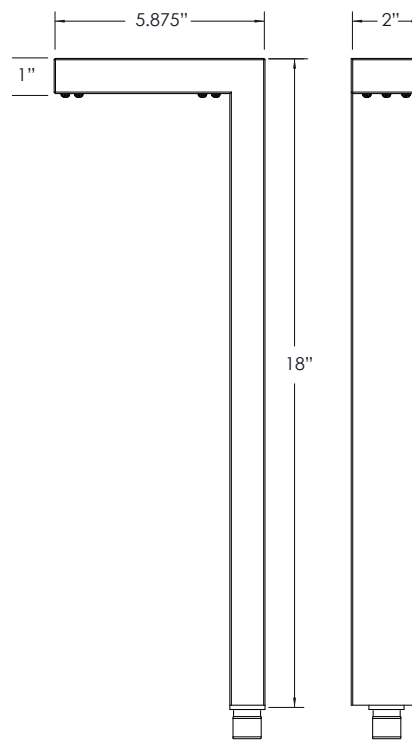
Use	Path, Area, and Garden Accent Lighting	
Finish	Black or Bronze	
Includes	ABS Mounting Stake and 30 in. Lead	
Warranty	10-Year Warranty on Black Diamond Fixtures	
Order With Lamp	G4 Wafer, 3W, 2700K	BD-MPL-G4-WAFER-BK BD-MPL-G4-WAFER-BZ
	G4 Wafer, 3W, 3000K	BD-MPL-G4-WAFER-BK-3000 BD-MPL-G4-WAFER-BZ-3000
Order Without Lamp	Fits G4 Bi-Pin	BD-MPL-G4-WAFER-BK-NL BD-MPL-G4-WAFER-BZ-NL



Black Brass
Baked Enamel



Bronze Baked
Enamel (BZ)



BLACK DIAMOND PATH LIGHT

DESCRIPTION

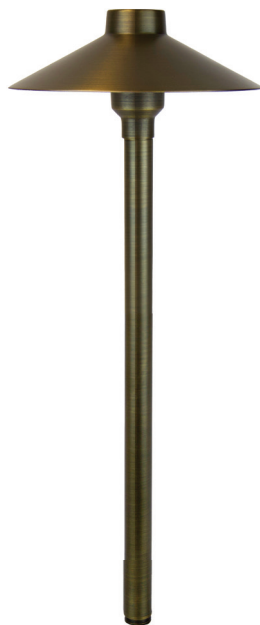
The Black Diamond Path Light is available without a lamp or with a G4 Ecostar lamp. Simply install the lamp and screw on the Black Diamond Path Light top. The threaded top design allows the top to stay straight on the fixture and also includes a white reflective surface underneath. The solid brass construction features a baked enamel finish in black (BK) or bronze (BZ). Overall height is 18.25”.

BLACK DIAMOND PATH LIGHT

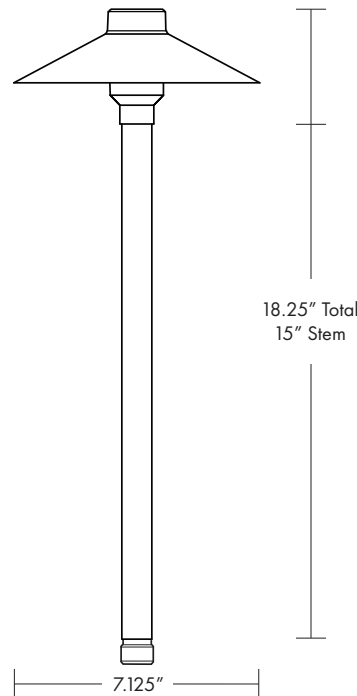
Use	Path, Area, and Garden Accent Lighting	
Finish	Black or Bronze	
Includes	ABS Mounting Stake and 30 in. Lead	
Warranty	10-Year Warranty on Black Diamond Fixtures	
Order With Lamp	G4 Ecostar, 3W, 2700K	BD-PL-ECO-G4-BK BD-PL-ECO-G4-BZ
	G4 Ecostar, 3W, 3000K	BD-PL-ECO-G4-BK-3000 BD-PL-ECO-G4-BZ-3000
Order Without Lamp	Fits G4 Bi-Pin	BD-PL-ECO-G4-BK-NL BD-PL-ECO-G4-BZ-NL



Black Brass
Baked Enamel (BK)



Bronze Baked
Enamel (BZ)



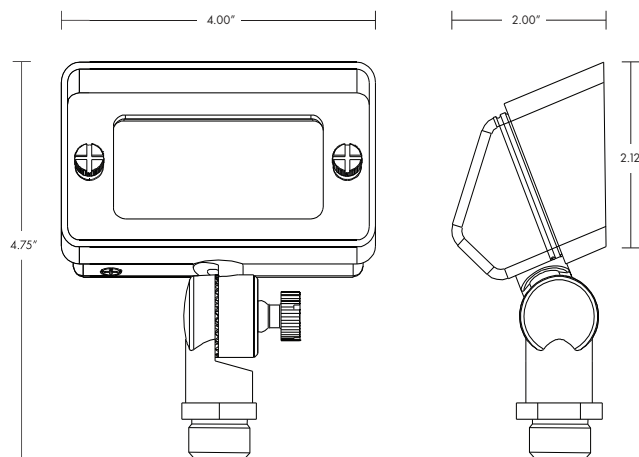
BLACK DIAMOND WALL WASH

DESCRIPTION

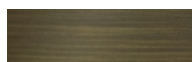
The Black Diamond Wall Wash is available either without a lamp or with a G4 Rectangular Wafer and comes ready to install right out of the box with a frosted glass lens. Three lens options are available to achieve the desired effect. The frosted glass lens offers a 98° beam spread while the prism lens expands the horizontal beam spread to 114°. The solid brass construction features a baked enamel finish in black (BK) or bronze (BZ). The Black Diamond Wall Wash also features an 18 points of articulation of the knuckle for adjustment

BLACK DIAMOND WALL WASH

Use	Uplighting, Grazing, and Backlighting Techniques. Best for Low Level Wall Wash	
Finish	Black or Bronze	
Includes	Frosted Glass Lens, Clear Glass Lens, Prism Glass Lens, ABS Mounting Stake, and 30 in. Lead	
Warranty	10-Year Warranty on Black Diamond Fixtures	
Order With Lamp	G4 Rectangle Wafer, 3W, 2700K	BD-WW-G4-WAFER-BK BD-WW-G4-WAFER-BZ
	G4 Rectangle Wafer, 3W, 3000K	BD-WW-G4-WAFER-BK-3000 BD-WW-G4-WAFER-BZ-3000
Order Without Lamp	Fits G4 Bi-Pin	BD-WW-G4-WAFER-BK-NL BD-WW-G4-WAFER-BZ-NL



Black Brass
Baked Enamel (BK)



Bronze Baked
Enamel (BZ)

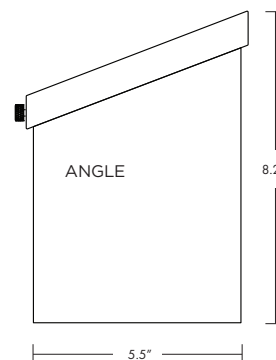
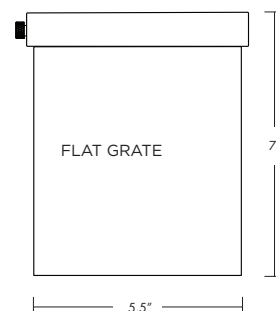
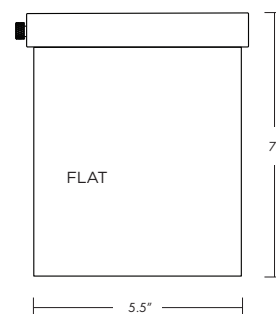
BLACK DIAMOND PAR36 WELL LIGHT

DESCRIPTION

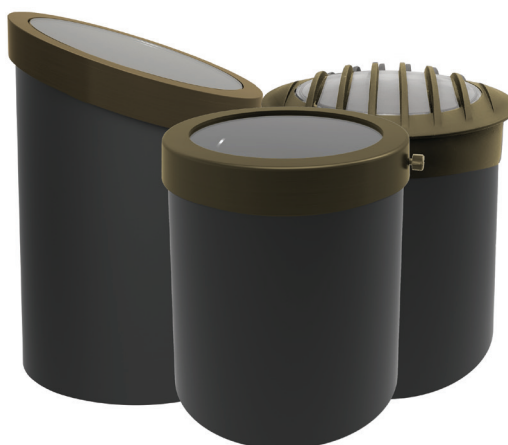
The Black Diamond PAR36 Well Light comes in three glass top variations: flat, flat grate, or angled. All glass tops come in solid brass, black, or bronze (BZ) baked enamel finish. It is available without a lamp or with a PAR36 (7W 2700K 30° 675 Lumens). This well light is fitted for any of our PAR36 lamps and really comes to life with the Chameleon PAR36 for RGBW applications.

BLACK DIAMOND PAR36 WELL LIGHT

Use	Well Lighting & Underground Up Lighting	
Finish	Top: Black or Bronze Body: Composite	
Includes	Heavy-Duty Stainless-Steel Adjustable Gimbal and 30 in. Lead	
Warranty	10-Year Warranty on Black Diamond Fixtures	
Order With Lamp	PAR36, 7W, 2700K, 30°	BD-WL-PAR36-FLAT-BK BD-WL-PAR36-ANGLE-BK BD-WL-PAR36-FLAT-GR BD-WL-PAR36-FLAT-BZ BD-WL-PAR36-ANGLE-BZ BD-WL-PAR36-FLAT-GR-BZ
Order Without Lamp	Fits Chameleon PAR36, PAR36	BD-WL-PAR36-FLAT-BK-NL BD-WL-PAR36-ANGLE-BK-NL BD-WL-PAR36-FLAT-GR-NL BD-WL-PAR36-FLAT-BZ-NL BD-WL-PAR36-ANGLE-BZ-NL BD-WL-PAR36-FLAT-GR-BZ-NL



Black Brass
Baked Enamel (BK)



Bronze Baked
Enamel (BZ)

BLACK DIAMOND MR16 WELL LIGHT

DESCRIPTION

The Black Diamond MR16 Well Light comes in two top variations: flat glass or grate. Both the flat glass and grate tops come in solid brass black or bronze (BZ) finish. It is available without a lamp or with an MR16 Ecostar (4W 2700K 30° 350 Lumens). This well light is fitted for any of our MR16 lamps and really comes to life with the Chameleon MR16 for RGBW applications.

BLACK DIAMOND MR16 WELL LIGHT

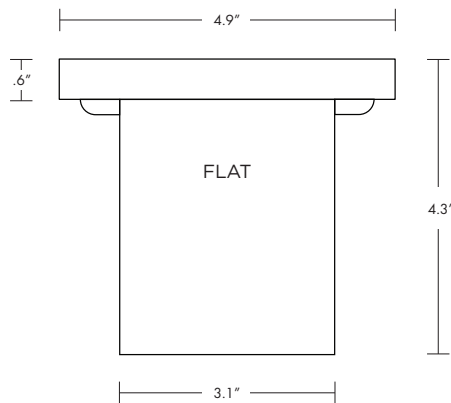
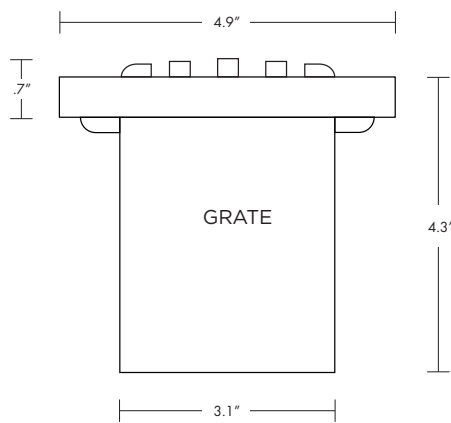
Use	Well Lighting & Underground Up Lighting	
Finish	Top: Black or Bronze Body: Composite	
Warranty	10-Year Warranty on Black Diamond Fixtures	
Order With Lamp	MR16 Ecostar, 4W, 2700K, 30°	BD-WL-MR16-FLAT-BK BD-WL-MR16-GRATE-BK BD-WL-MR16-FLAT-BZ BD-WL-MR16-GRATE-BZ
Order Without Lamp	Fits Chameleon MR16, MR16	BD-WL-MR16-FLAT-BK-NL BD-WL-MR16-GRATE-BK-NL BD-WL-MR16-FLAT-BZ-NL BD-WL-MR16-GRATE-BZ-NL



Black Brass Baked Enamel (BK)



Bronze Baked Enamel (BZ)



BLACK DIAMOND DIRECTIONAL DOWNLIGHT

DESCRIPTION

The Black Diamond Directional Down Light works with MR16 lamps or MR16 Chameleon lamps.

Fully potted body and threaded cap with convex lens. Can be used for up and downlighting applications.

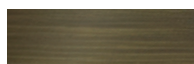
It features a 9.5" adjustable glare shield.

Tree Mount accessory, with specialized course and machine thread standoff bolt and nut package included.

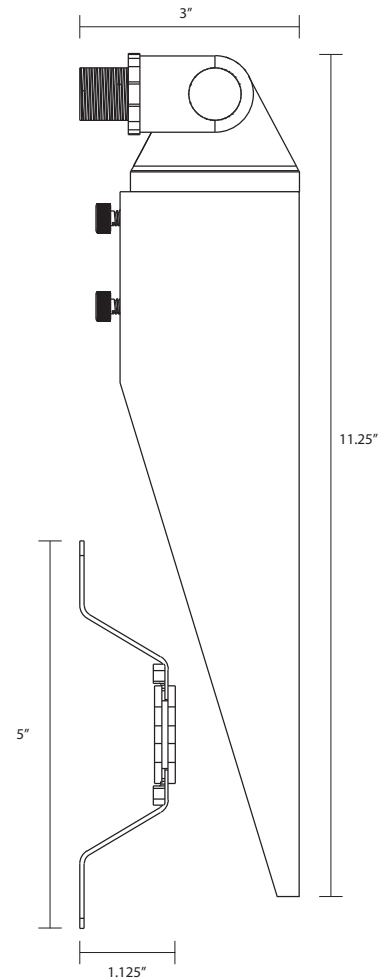
When using in a tree, consult with an arborist for the best way to mount for the particular tree species

BLACK DIAMOND DIRECTIONAL DOWNLIGHT

Use	Downlighting, Grazing, Backlighting, and Wall Washing (When Used with 120 Degree Lamps Only)	
Finish	Bronze	
Includes	Mounting Plate and 50 ft. Lead	
Warranty	10-Year Warranty on Black Diamond Fixtures	
Order Without Lamp	Fits MR16	BD-DDL-ECO-MR16-BZ-NL



Bronze Baked
Enamel (BZ)



BLACK DIAMOND TIKI

DESCRIPTION

The Black Diamond Tiki Torch comes in black or bronze and is designed for a G4 bi-pin lamp (not included), protected by a weather-ready lens. It's built in three stages: the first creates a short torch ideal for mounting on a deck base for barbecue islands or patios; the second extends the height so it can thread onto a rocket post or longer spike; and the third features an angled cut for secure in-ground installation—at least 12 inches is recommended. All stages can be combined to form a tall garden torch that delivers attractive down-lighting. The top reservoir cap unthreads easily, allowing the reservoir to be filled with up to 16 ounces of citronella oil, paraffin lamp oil, or kerosene. Use the Brilliance Tiki Torch around pool areas, garden beds, and outdoor entertaining spaces to add warm ambiance with the natural flame above and electric light below. A replacement wick is available separately for easy maintenance and long-term use.

BLACK DIAMOND TIKI

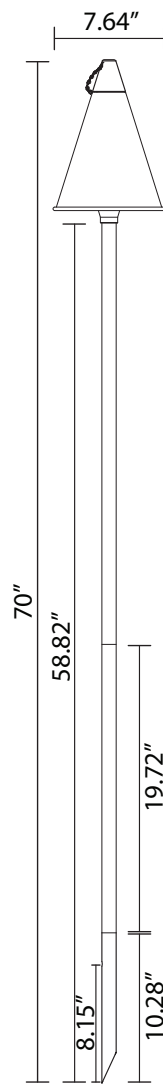
Use	Path, Area, and Garden Accent Lighting	
Finish	Black or Bronze	
Includes	Top, Modular 3 Piece Stem allows 40", 60" & 70" height configurations, Preinstalled Wick, and 30 in. Lead	
Warranty	10-Year Warranty on Black Diamond Fixtures	
Order Without Lamp	Fits G4 Bi-Pin	BD-TIKI-BK-NL BD-TIKI-BZ-NL
Replacement Wick	BD-TIKI-WICK	



Black Brass
Baked Enamel (BK)

Bronze Baked
Enamel (BZ)

Mounting
accessories on
page 101



BLACK DIAMOND STARTER LIGHTING SYSTEM

DESCRIPTION

Jumpstart your outdoor lighting projects with the Black Diamond Starter Lighting System. This complete landscape lighting system equips you with everything you need to illuminate landscapes with elegance and efficiency. ALL IN ONE BOX!

AVAILABLE IN 3000K OR 2700K!

BLACK OR BRONZE AVAILABLE! THE KIT INCLUDES:

- 5 Black Diamond Path Lights with lamp (*Bronze or Black, 3000K or 2700K*)
- 5 Black Diamond Directional Lights with lamp (*Bronze or Black, 3000K or 2700K*)
- 1 150watt transformer
- 1 Smart Socket 3.0
- 12 Lighting Shrinks
- 10 Ground Stakes

For specifications on the products included in the Starter Lighting System, please view their individual Cut Sheets.

BD SLS-BLACK-3000-150
BD SLS-BRONZE-3000-150

BD SLS-BLACK-2700-150
BD SLS-BRONZE-2700-150



ACADIA

Directional Light for MR11 or G4 Chameleon



DESCRIPTION

The Acadia Directional Light works with MR11 lamps or G4 Chameleon lamps when used with the supplied adapter ring. It features an adjustable glare shield and the Brilliance Metal Works signature adjustment system, which allows for 22 points of articulation of the knuckle in 10-degree increments. For loose soil applications, pair the Acadia with the Impaler accessory.

ACADIA DIRECTIONAL LIGHT

Use	Uplighting, Grazing, Backlighting, and Wall Washing (When Used with 120° Lamps Only)	
Finish	Brass, Copper, Brass w/ Black Ceramic Coated, and Weathered Brass	
Includes	ABS Mounting Stake, Lighting Shrink Professional Crimp and Heat Shrink Cable Connector, G4 Adapter Ring, and 30 in. Lead	
Warranty	Lifetime Warranty on National Parks Series Fixtures	
Order With Lamp	MR11, 2W, 2700K, 30°	ACADIA-CU ACADIA-BR ACADIA-BK ACADIA-WB
Order Without Lamp	Fits Chameleon G4, MR11	ACADIA-CU-NL ACADIA-BR-NL ACADIA-BK-NL ACADIA-WB-NL



Brass (BR)



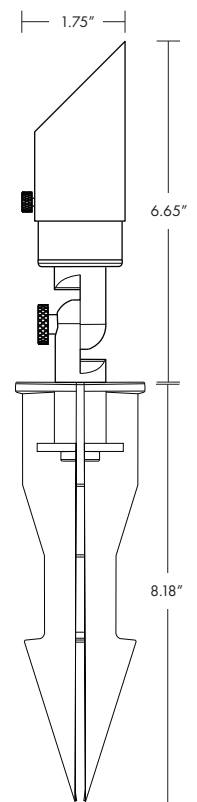
Copper (CU)



Brass + Black Ceramic Coated (BK)



Weathered Brass (WB)



DENALI

MR16 Directional Light

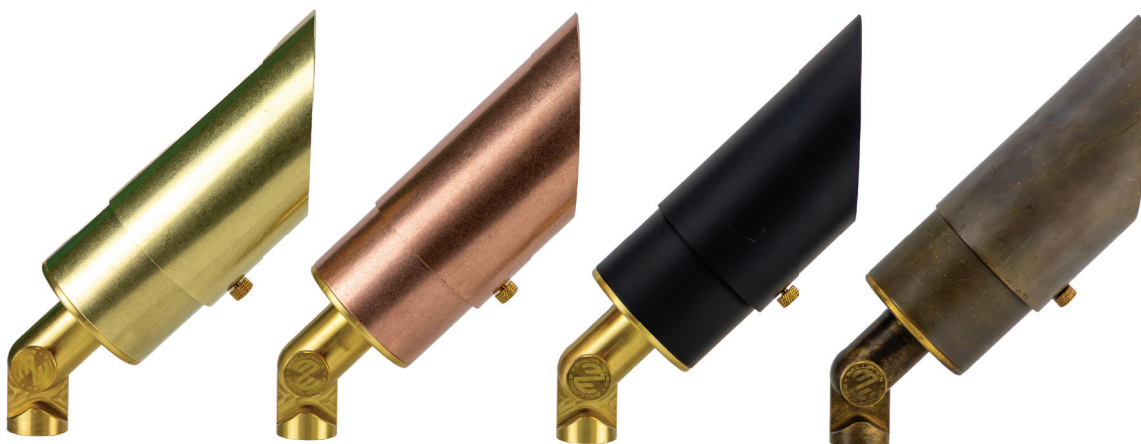


DESCRIPTION

The Denali Directional Light works with MR16 lamps or Chameleon MR16 lamps for RGBW applications. It features the Brilliance Metal Works signature adjustment system, which allows for 22 points of articulation of the knuckle in 10-degree increments. For loose soil applications, pair the Denali with the Impaler accessory.

DENALI DIRECTIONAL LIGHT

Use	Uplighting, Grazing, Backlighting, and Wall Washing (When Used with 120° Lamps Only)	
Finish	Brass, Copper, Brass w/ Black Ceramic Coated, and Weathered Brass	
Includes	ABS Mounting Stake, Lighting Shrink Professional Crimp and Heat Shrink Cable Connector, Honeycomb Louver, and 30 in. Lead	
Warranty	Lifetime Warranty on National Parks Series Fixtures	
Order With Lamp	MR16, 4W, 2700K, 30°	DENALI-BK DENALI-BR DENALI-CU DENALI-WB
Order Without Lamp	Fits Chameleon MR16, MR16	DENALI-BK-NL DENALI-BR-NL DENALI-CU-NL DENALI-WB-NL



Brass (BR)



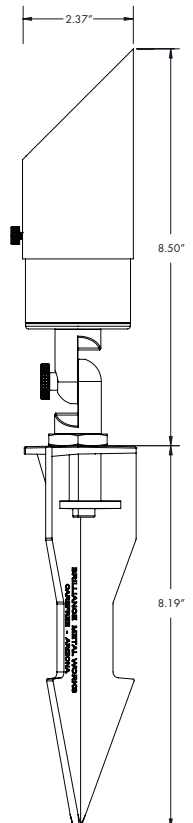
Copper (CU)



Brass + Black
Ceramic
Coated (BK)



Weathered
Brass (WB)



GRAND CANYON

PAR36 Directional Light



LOW VOLTAGE

LINE VOLTAGE

SMART PRODUCTS

METAL WORKS

SOLAR PRODUCTS

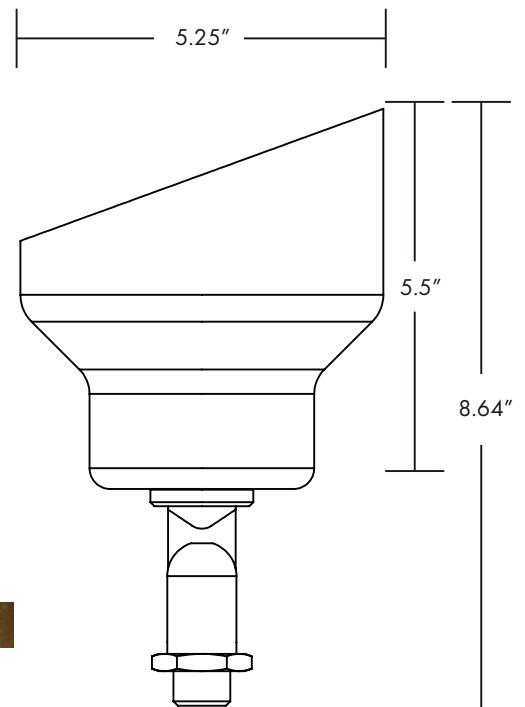
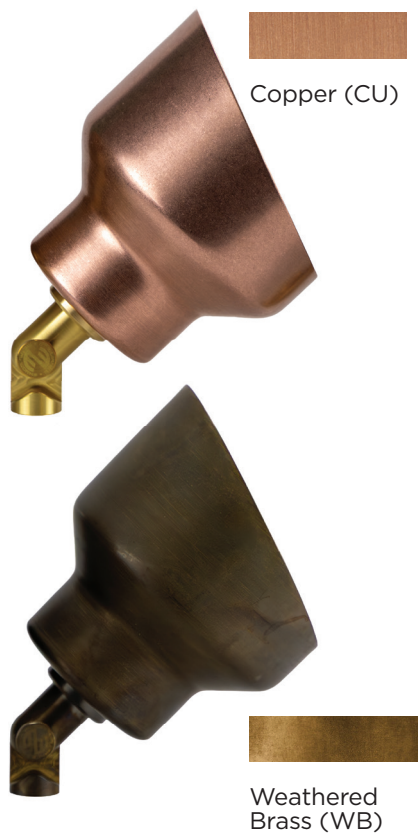
RESOURCES

DESCRIPTION

The Grand Canyon Directional Light works with PAR36 lamps or PAR36 Chameleon lamps. It features the Brilliance Metal Works signature adjustment system, which allows for 22 points of articulation of the knuckle in 10-degree increments. For loose soil applications, pair the Grand Canyon with the Impaler accessory.

GRAND CANYON DIRECTIONAL LIGHT

Use	Uplighting, Grazing, Backlighting, and Wall Washing (When Used with 120° Lamps Only)	
Finish	Brass, Copper, Brass w/ Black Ceramic Coated, and Weathered Brass	
Includes	ABS Mounting Stake, Lighting Shrink Professional Crimp and Heat Shrink Cable Connector, and 30 in. Lead	
Warranty	Lifetime Warranty on National Parks Series Fixtures	
Order With Lamp	PAR36, 7W, 2700K, 30°	GRAND-CANYON-BK GRAND-CANYON-BR GRAND-CANYON-CU GRAND-CANYON-WB
Order Without Lamp	Fits Chameleon PAR36, PAR36	GRAND-CANYON-BK-NL GRAND-CANYON-BR-NL GRAND-CANYON-CU-NL GRAND-CANYON-WB-NL



ARCHES

MR16 Directional Down Light



DESCRIPTION

The Arches Directional Down Light works with MR16 lamps or MR16 Chameleon lamps. It features an adjustable glare shield and the Brilliance Metal Works signature adjustment system, which allows for 22 points of articulation of the knuckle in 10-degree increments. For an alternative mounting option, pair the Arches with the Tree Mount optional accessory. When using in a tree, consult with an arborist for the best way to mount for the particular tree species.

ARCHES DIRECTIONAL DOWN LIGHT

Use	Surface-Mounted Uplighting and Downlighting	
Finish	Brass, Copper, Brass w/ Black Ceramic Coated, and Weathered Brass	
Includes	Lighting Shrink Professional Crimp and Heat Shrink Cable Connector, Honeycomb Louver, Stainless-Steel Mounting Canopy, and 30 in. Lead	
Warranty	Lifetime Warranty on National Parks Series Fixtures	
Order With Lamp	MR16, 4W, 2700K, 30°	ARCHES-CU ARCHES-BR ARCHES-BK ARCHES-WB
Order Without Lamp	Fits Chameleon MR16, MR16	ARCHES-CU-NL ARCHES-BR-NL ARCHES-BK-NL ARCHES-WB-NL



Brass (BR)



Copper (CU)



Brass + Black
Ceramic
Coated (BK)



Weathered
Brass (WB)

GLACIER

MR16 Hanging Down Light



LOW VOLTAGE

LINE VOLTAGE

SMART PRODUCTS

METAL WORKS


SOLAR PRODUCTS

RESOURCES

DESCRIPTION

The Glacier Hanging Down Light works with MR16 lamps or MR16 Chameleon lamps. It features a frosted shade perfect for projecting soft RGBW light.

GLACIER HANGING DOWN LIGHT

Use	Downlighting Techniques in Trees or Architecture by Hanging on a Chain or Cable	
Finish	Brass, Copper, Brass w/ Black Ceramic Coated, and Weathered Brass	
Includes	Lighting Shrink Professional Crimp and Heat Shrink Cable Connector, and 30 in. Lead	
Warranty	Lifetime Warranty on National Parks Series Fixtures	
Order With Lamp	Chameleon MR16 	GLACIER-BK GLACIER-BR GLACIER-CU GLACIER-WB
Order Without Lamp	Fits Chameleon MR16, MR16	GLACIER-BK-NL GLACIER-BR-NL GLACIER-CU-NL GLACIER-WB-NL



Brass (BR)



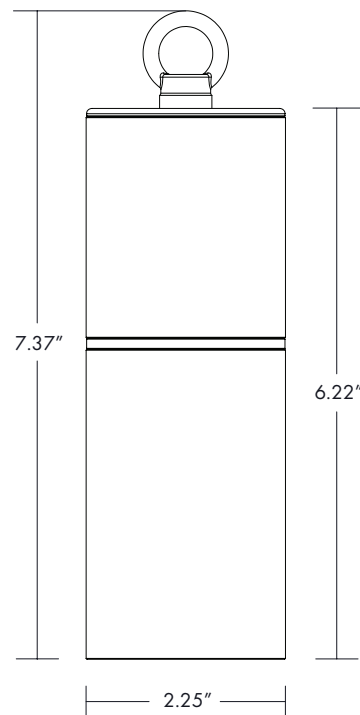
Copper (CU)



Brass + Black Ceramic Coated (BK)



Weathered Brass (WB)



GLACIER PERFORATED


MR16 Hanging Down Light

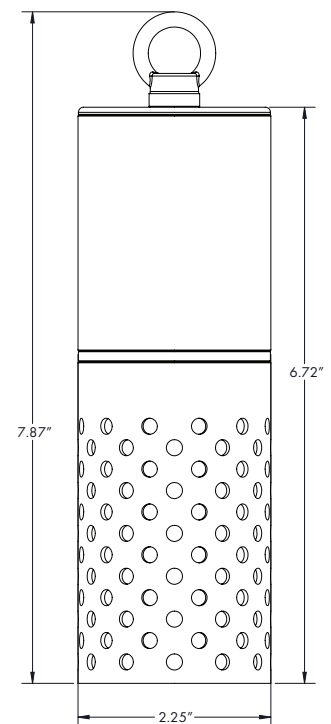


DESCRIPTION

Based on our original Glacier Hanging Down Light, the Glacier Perforated Hanging Down Light offers a modern, elegant look. The precision machined perforations soften lighting, making it easy on the eyes while creating ambiance.

GLACIER PERFORATED HANGING DOWN LIGHT

Use	Downlighting Techniques in Trees or Architecture by Hanging on a Chain or Cable	
Finish	Brass, Copper, Brass w/ Black Ceramic Coated, and Weathered Brass	
Includes	Lighting Shrink Professional Crimp, Heat Shrink Cable Connector, and 30 in. Lead	
Warranty	Lifetime Warranty on National Parks Series Fixtures	
Order With Lamp	Chameleon MR16 	GLACIER-BK-PERF GLACIER-BR-PERF GLACIER-CU-PERF GLACIER-WB-PERF
Order Without Lamp	Fits Chameleon MR16, MR16	GLACIER-BK-PERF-NL GLACIER-BR-PERF-NL GLACIER-CU-PERF-NL GLACIER-WB-PERF-NL



Brass (BR)



Copper (CU)



Brass + Black
Ceramic
Coated (BK)



Weathered
Brass (WB)

BRYCE

Hanging Down Light for AR11, MR16, or G4 Blaze



DESCRIPTION

The Bryce Hanging Down Light works with AR11, MR16 and MR16 Chameleon lamps, or G4 Blaze lamps with the Frosted Acrylic version.

BRYCE HANGING DOWN LIGHT

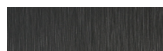
Use	Downlighting Techniques in Trees or Architecture by Hanging on a Chain or Cable	
Finish	Brass, Copper, Brass w/ Black Ceramic Coated, Frosted, and Weathered Brass	
Includes	Lighting Shrink Professional Crimp, Heat Shrink Cable Connector, and 30 in. Lead	
Warranty	Lifetime Warranty on National Parks Series Fixtures	
Order With Lamp	AR11, 2W, 2700K, 60°	BRYCE-AR11-BR BRYCE-AR11-BK BRYCE-AR11-CU BRYCE-AR11-WB
	MR16, 4W, 2700K, 60°	BRYCE-MR16-BR BRYCE-MR16-BK BRYCE-MR16-CU BRYCE-MR16-WB
	G4 Blaze	BRYCE-G4-FROST
Order Without Lamp	Fits AR11	BRYCE-AR11-BR-NL BRYCE-AR11-BK-NL BRYCE-AR11-CU-NL BRYCE-AR11-WB-NL
	Fits Chameleon MR16, MR16	BRYCE-MR16-BR-NL BRYCE-MR16-BK-NL BRYCE-MR16-CU-NL BRYCE-MR16-WB-NL
	Fits G4 Blaze	BRYCE-G4-FROST-NL



Brass (BR)



Copper (CU)



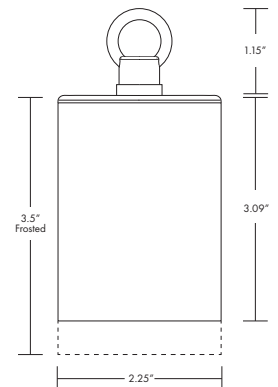
Brass + Black Ceramic Coated (BK)



Weathered Brass (WB)



Frosted Acrylic (FROST)



BRYCE PERFORATED

Hanging Down Light for AR11 or MR16



DESCRIPTION

In a longer footprint than the original Bryce Hanging Down Light, the Bryce Perforated Hanging Down Light keeps the same one-piece construction and adds ambiance with its precision machined perforations.

BRYCE PERFORATED HANGING DOWN LIGHT

Use	Downlighting Techniques in Trees or Architecture by Hanging on a Chain or Cable	
Finish	Brass, Copper, Brass w/ Black Ceramic Coated, and Weathered Brass	
Includes	Lighting Shrink Professional Crimp, Heat Shrink Cable Connector, and 30 in. Lead	
Warranty	Lifetime Warranty on National Parks Series Fixtures	
Order With Lamp	AR11, 2W, 2700K, 60°	BRYCE-AR11-BK-PERF BRYCE-AR11-BR-PERF BRYCE-AR11-CU-PERF BRYCE-AR11-WB-PERF
	MR16, 4W, 2700K, 60°	BRYCE-MR16-BK-PERF BRYCE-MR16-BR-PERF BRYCE-MR16-CU-PERF BRYCE-MR16-WB-PERF
Order Without Lamp	Fits AR11	BRYCE-AR11-BK-PERF-NL BRYCE-AR11-BR-PERF-NL BRYCE-AR11-CU-PERF-NL BRYCE-AR11-WB-PERF-NL
	Fits Chameleon MR16, MR16	BRYCE-MR16-BK-PERF-NL BRYCE-MR16-BR-PERF-NL BRYCE-MR16-CU-PERF-NL BRYCE-MR16-WB-PERF-NL

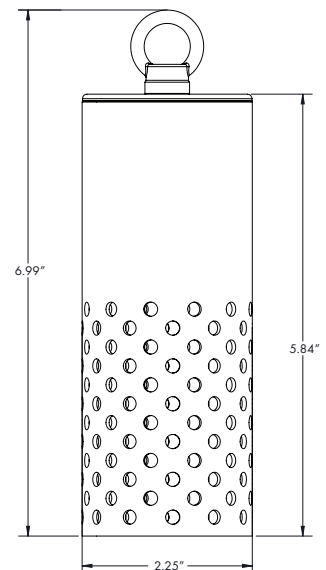


Brass (BR)

Copper (CU)

Brass + Black Ceramic Coated (BK)

Weathered Brass (WB)



PINNACLES

G4 Soft Accent Light



DESCRIPTION

The Pinnacles Soft Accent Light works with G4 Rectangular Wafer LEDs. It features a frosted glass lens, as well as the Brilliance Metal Works signature adjustment system, which allows for 22 points of articulation of the knuckle in 10 degree increments.

PINNACLES SOFT ACCENT LIGHT

Use	Uplighting, Grazing, and Backlighting Techniques Best Used When Low Level Wall Wash Techniques are Desired	
Finish	Brass, Brass w/ Black Ceramic Coated, and Weathered Brass	
Includes	ABS Mounting Stake, Lighting Shrink Professional Crimp, Heat Shrink Cable Connector, and 30 in. Lead	
Warranty	Lifetime Warranty on National Parks Series Fixtures	
Order With Lamp	G4 Rectangular Wafer, 3W, 2700K	PINNACLE-BK PINNACLE-BR PINNACLE-WB
Order Without Lamp	Fits G4 Bi-Pin	PINNACLE-BK-NL PINNACLE-BR-NL PINNACLE-WB-NL



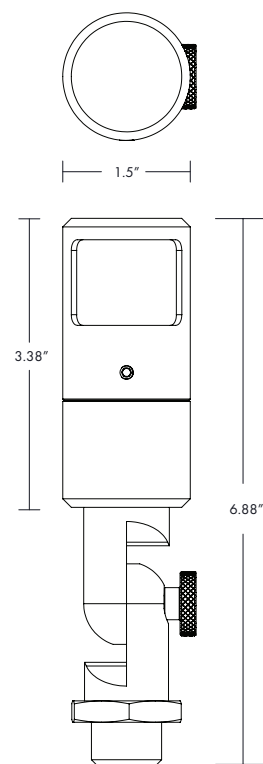
Brass (BR)



Brass + Black Ceramic Coated (BK)



Weathered Brass (WB)



EVERGLADES

G4 Bi-Pin Area Light



DESCRIPTION

The Everglades is an area light that serves as a low-profile indicator. Pair with the optional Deck Mount accessory as a base for flat surfaces like boating docks and deck applications.

EVERGLADES AREA LIGHT

Use	Pathways & Walkways Dock & Deck Applications	
Finish	Brass, Brass w/ Black Ceramic Coated, and Weathered Brass	
Includes	ABS Mounting Stake, Lighting Shrink Professional Crimp, Heat Shrink Cable Connector, and 30 in. Lead	
Warranty	Lifetime Warranty on National Parks Series Fixtures	
Order With Lamp	Micro G4 Bi-Pin in Amber	EVERGLADES-BK EVERGLADES-BR EVERGLADES-WB
Order Without Lamp	Fits G4 Bi-Pin	EVERGLADES-BK-NL EVERGLADES-BR-NL EVERGLADES-WB-NL



Brass (BR)



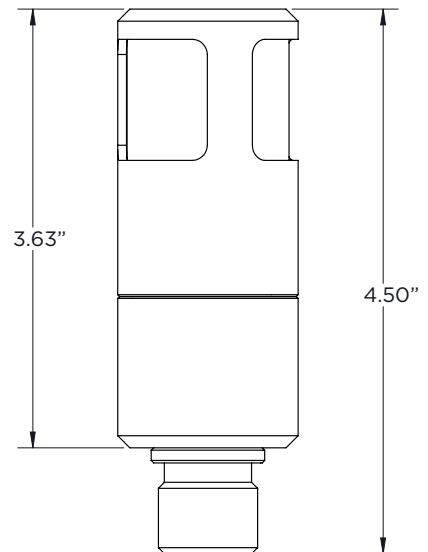
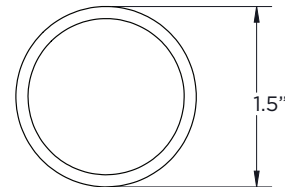
Brass + Black Ceramic Coated (BK)



Weathered Brass (WB)



Everglades shown with Deck Mount accessory
(Deck mount not included)



SAGUARO

G4 Bi-Pin Backlight

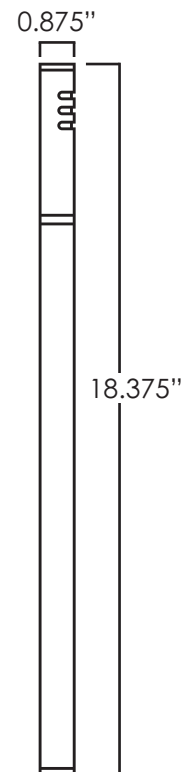


DESCRIPTION

The Saguaro Is a Mini Bollard as well as a low glow back light. This can be used in flowerbeds to provide back lighting on walls. It can also be used as a guiding marker for paths. The fixture uses refracting lighting in order to avoid hot spots. It is equipped with a 1.5 W micro G4 in 3000 Kelvin. It is available in copper, brass, black, stainless-steel and weathered brass. Use this unit when a thinner more discrete fixture is in order.

SAGUARO BOLLARD

Use	Small spaces & pathways	
Finish	Brass, Brass w/ Black Ceramic Coated, Bronze, Stainless-Steel, and Weathered Brass	
Includes	Saguaro fixture, Black ABS stake, Lighting Shrink, Brilliance Micro G4 bi-pin 3000K lamp (if purchased with lamp), and 30 in. Lead	
Warranty	Lifetime Warranty on National Parks Series Fixtures	
Order With Lamp	Micro G4 Bi-Pin 3000K	SAGUARO-BK SAGUARO-BR SAGUARO-CU SAGUARO-SS SAGUARO-WB
Order Without Lamp	Fits G4 Bi-Pin	SAGUARO-BK-NL SAGUARO-BR-NL SAGUARO-CU-NL SAGUARO-SS-NL SAGUARO-WB-NL



GUADALUPE

Wall Light

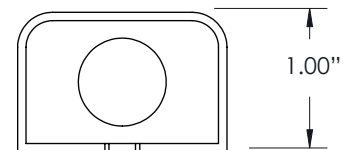


DESCRIPTION

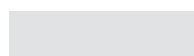
The Guadalupe is an integrated lamp and fixture that casts light from wall-mount applications in outdoor living areas. We recommend using Lighting Shrink connections for the Guadalupe. Dimmable with Brilliance dimmer and most magnetic transformers. ETL Certified for UL 1838 and CSA C22.2 Standards. Patent Pending.

GUADALUPE WALL LIGHT

Use	Walls, Fence Posts, Around Pools, and Other Outdoor Living Areas							
Finish	Brass, White, Black Brass, and Weathered Brass							
Includes	12 ft. Lead, 2 #8 Mounting Screws for Wood or Sheet Metal, Mounting Template							
Warranty	5 Year Warranty on Guadalupe Fixtures							
Integrated Lamp	2700K, 3.8W, 200 Lumens, 90°, CRI 90, IP65, 8-15VAC, 5 year warranty, 6.03VA, 35,000 hours							
	<table> <tr> <td>Brass</td> <td>GUADALUPE-2700-BR</td> </tr> <tr> <td>Black Brass</td> <td>GUADALUPE-2700-BK</td> </tr> <tr> <td>White</td> <td>GUADALUPE-2700-WH</td> </tr> <tr> <td>Weathered Brass</td> <td>GUADALUPE-2700-WB</td> </tr> </table>	Brass	GUADALUPE-2700-BR	Black Brass	GUADALUPE-2700-BK	White	GUADALUPE-2700-WH	Weathered Brass
Brass	GUADALUPE-2700-BR							
Black Brass	GUADALUPE-2700-BK							
White	GUADALUPE-2700-WH							
Weathered Brass	GUADALUPE-2700-WB							
	3000K, 3.8W, 210 Lumens, 90°, CRI 90, IP65, 8-15VAC, 5 year warranty, 6.03VA, 35,000 hours							
	<table> <tr> <td>Brass</td> <td>GUADALUPE-3000-BR</td> </tr> <tr> <td>Black Brass</td> <td>GUADALUPE-3000-BK</td> </tr> <tr> <td>White</td> <td>GUADALUPE-3000-WH</td> </tr> <tr> <td>Weathered Brass</td> <td>GUADALUPE-3000-WB</td> </tr> </table>	Brass	GUADALUPE-3000-BR	Black Brass	GUADALUPE-3000-BK	White	GUADALUPE-3000-WH	Weathered Brass
Brass	GUADALUPE-3000-BR							
Black Brass	GUADALUPE-3000-BK							
White	GUADALUPE-3000-WH							
Weathered Brass	GUADALUPE-3000-WB							



Brass (BR)



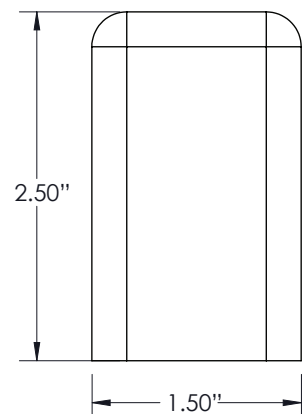
White (WH)



Black Brass (BK)



Weathered Brass (WB)



REDWOOD

G4 Path Light

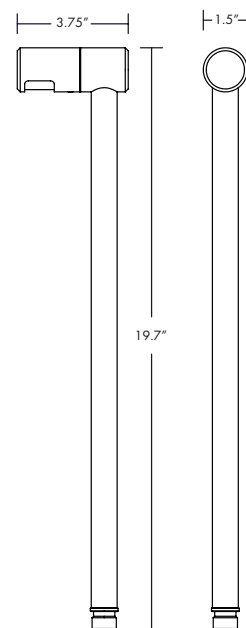


DESCRIPTION

The Redwood Path Light comes complete with a frosted glass window that can rotate 360° and locks in with a set screw.

REDWOOD PATH LIGHT

Use	Path, Area, and Garden Accent Lighting	
Finish	Brass, Copper, Brass w/ Black Ceramic Coated, and Weathered Brass	
Includes	ABS Mounting Stake, Lighting Shrink Professional Crimp, Heat Shrink Cable Connector, and 30 in. Lead	
Warranty	Lifetime Warranty on National Parks Series Fixtures	
Order With Lamp	G4 Rectangular Wafer, 3W, 2700K	REDWOOD-BK-HD-BK-ST REDWOOD-BR-HD-BK-ST REDWOOD-BR-HD-BR-ST REDWOOD-BR-HD-CU-ST REDWOOD-WB
Order Without Lamp	Fits G4 Bi-Pin	REDWOOD-BK-HD-BK-ST-NL REDWOOD-BR-HD-BK-ST-NL REDWOOD-BR-HD-BR-ST-NL REDWOOD-BR-HD-CU-ST-NL REDWOOD-WB-NL



Brass (BR)



Copper (CU)



Brass + partial
Black Ceramic
Coated (BK)



Brass + full
Black Ceramic
Coated (BK)



Weathered
Brass (WB)

JOSHUA TREE

G4 Path Light



DESCRIPTION

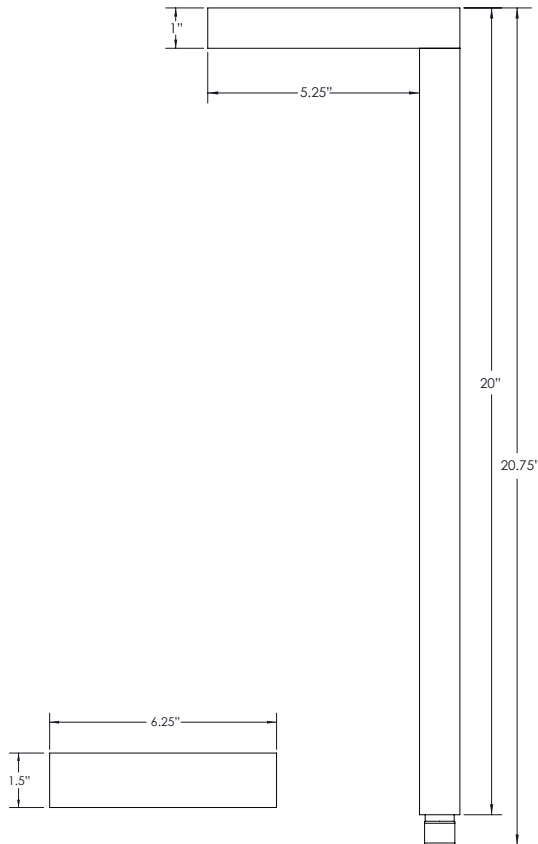
The Joshua Tree Path Light comes complete with one or two G4 Rectangular Wafer sockets. This modern fixture is a downward facing path light perfect for path, area, and garden accent lighting.

JOSHUA TREE PATH LIGHT

Use	Path, Area, and Garden Accent Lighting		
Finish	Aluminum w/ Black Ceramic Coated		
Includes	ABS Mounting Stake, Lighting Shrink Professional Crimp, Heat Shrink Cable Connector, and 30 in. Lead		
Warranty	10 Year Warranty on Aluminum Fixtures		
Order With Lamp	G4 Rectangular Wafer 3W, 2700K	1 socket, 2700K, 270 Lumens	JOSHUA-1-BK
		2 sockets, 2700K, 540 Lumens	JOSHUA-2-BK
Order Without Lamp	Fits G4 Bi-Pin	1 socket	JOSHUA-1-BK-NL
		2 sockets	JOSHUA-2-BK-NL



Aluminum + Ceramic Coated (BK)



SEQUOIA

G4 Bi-Pin 7" Path Light



DESCRIPTION

The Sequoia 7" Path Light comes complete with a fully adjustable reflector top. It is available in a standard 22" fixed stem or a 17" to 28" adjustable stem.

SEQUOIA PATH LIGHT

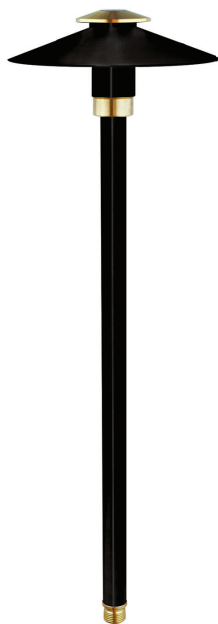
Use	Path, Area, and Garden Accent Lighting		
Finish	Brass, Copper, Brass w/ Black Ceramic Coated, and Weathered Brass		
Includes	ABS Mounting Stake, Lighting Shrink Professional Crimp, Heat Shrink Cable Connector, and 30 in. Lead		
Warranty	Lifetime Warranty on National Parks Series Fixtures		
Order With Lamp	Beacon G4 Bi-Pin, 2W, 2700K	FIXED SEQUOIA-BK SEQUOIA-BR SEQUOIA-CU SEQUOIA-WB	ADJUSTABLE SEQUOIA-BK-A SEQUOIA-BR-A SEQUOIA-CU-A SEQUOIA-WB-A
Order Without Lamp	Fits G4 Bi-Pin	FIXED SEQUOIA-BK-NL SEQUOIA-BR-NL SEQUOIA-CU-NL SEQUOIA-WB-NL	ADJUSTABLE SEQUOIA-BK-A-NL SEQUOIA-BR-A-NL SEQUOIA-CU-A-NL SEQUOIA-WB-A-NL



Brass (BR)



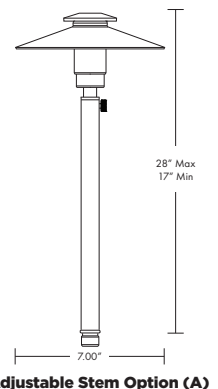
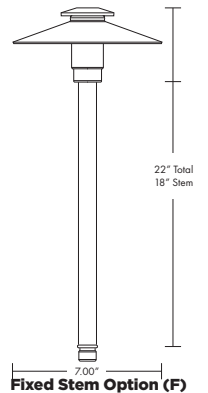
Copper (CU)



Brass + Black Ceramic Coated (BK)



Weathered Brass (WB)



ZION

G4 Bi-Pin 4" Path Light



DESCRIPTION

The Zion 4" Path Light comes complete with a fully adjustable reflector top. It is available in a standard 22" fixed stem or a 17" to 28" adjustable stem.

ZION PATH LIGHT

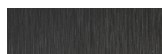
Use	Path, Area, and Garden Accent Lighting		
Finish	Brass, Copper, Brass w/ Black Ceramic Coated, and Weathered Brass		
Includes	ABS Mounting Stake, Lighting Shrink Professional Crimp, Heat Shrink Cable Connector, and 30 in. Lead		
Warranty	Lifetime Warranty on National Parks Series Fixtures		
Order With Lamp	Beacon G4 Bi-Pin, 2W, 2700K	FIXED ZION-BK ZION-BR ZION-CU	ADJUSTABLE ZION-BK-ADJ ZION-BR-ADJ ZION-CU-ADJ
Order Without Lamp	Fits G4 Bi-Pin	FIXED ZION-BK-NL ZION-BR-NL ZION-CU-NL	ADJUSTABLE ZION-BK-ADJ-NL ZION-BR-ADJ-NL ZION-CU-ADJ-NL



Brass (BR)



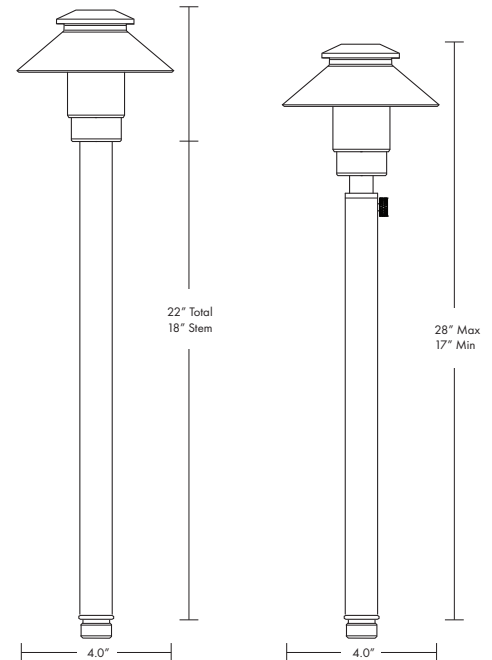
Copper (CU)



Brass + Black Ceramic Coated (BK)



Weathered Brass (WB)



Fixed Stem Option (F)

Adjustable Stem Option (A)

OLYMPIC


MR16 Bollard Light



DESCRIPTION

The Olympic Bollard Light comes complete with an 360° frosted acrylic cover and when ordered with a lamp, includes a Chameleon MR16 Lamp for RGBW designs. This bollard light is a perfect way to add color to your pathways and walkways. For non-RGBW applications, order the Olympic without a lamp and pair it with any of our other MR16 lamp options.

OLYMPIC BOLLARD

Use	Path, Area, and Garden Accent Lighting	
Finish	Brass, Copper, Brass w/ Black Ceramic Coated, and Weathered Brass	
Includes	ABS Mounting Stake, Lighting Shrink Professional Crimp, Heat Shrink Cable Connector, and 30 in. Lead	
Warranty	Lifetime Warranty on National Parks Series Fixtures	
Order With Lamp	Chameleon MR16 	OLYMPIC-BK OLYMPIC-BR OLYMPIC-CU OLYMPIC-WB
Order Without Lamp	Fits Chameleon MR16, MR16	OLYMPIC-BK-NL OLYMPIC-BR-NL OLYMPIC-CU-NL OLYMPIC-WB-NL



Brass (BR)



Copper (CU)



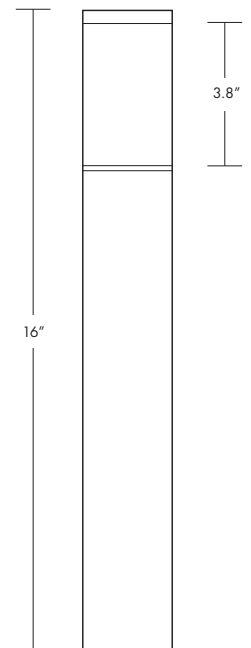
Brass + Black Ceramic Coated (BK)



Weathered Brass (WB)



2.25"



MODERN TIKI

MR16 Bollard Light

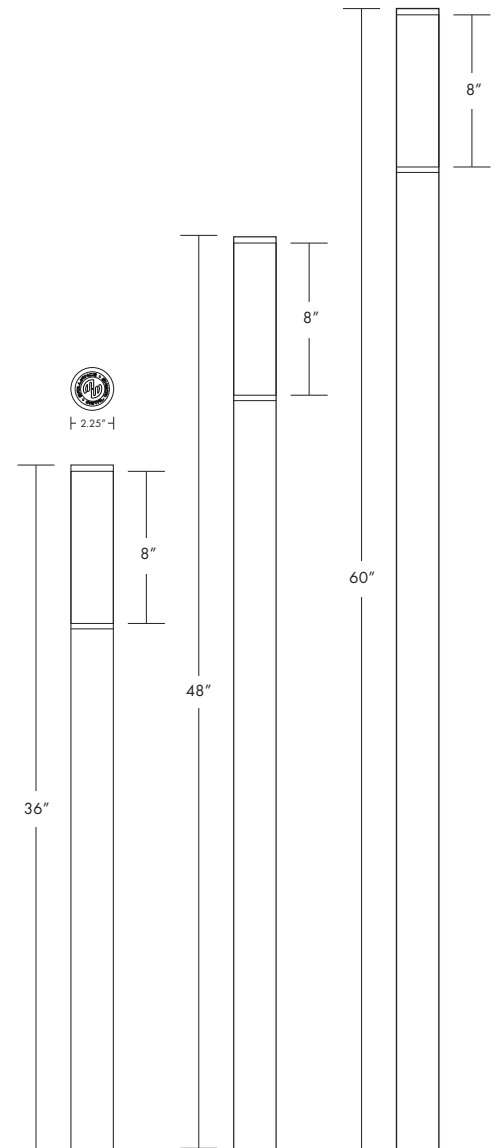


DESCRIPTION

The Modern Tiki is a new take on the Olympic Bollard. Available in 3', 4', and 5' heights (customizable as needed). Fits any MR16 Lamp. Made in Carefree, AZ.

MODERN TIKI

Use	Path, Area, and Garden Accent Lighting	
Finish	Brass, Copper, Brass w/ Black Ceramic Coated, and Stainless-Steel	
Includes	ABS Mounting Stake, Lighting Shrink Professional Crimp, Heat Shrink Cable Connector, and 30 in. Lead	
Warranty	Lifetime Warranty on National Parks Series Fixtures	
Order With Lamp	Warm Dimming MR16	MODERN TIKI-3-MR16-BK MODERN TIKI-3-MR16-CU MODERN TIKI-3-MR16-BR MODERN TIKI-3-MR16-SS MODERN TIKI-4-MR16-BK MODERN TIKI-4-MR16-CU MODERN TIKI-4-MR16-BR MODERN TIKI-4-MR16-SS MODERN TIKI-5-MR16-BK MODERN TIKI-5-MR16-CU MODERN TIKI-5-MR16-BR MODERN TIKI-5-MR16-SS



MOUNT RAINIER

INTEGRATED BOLLARD



DESCRIPTION

The Mount Rainier Bollard features two cutout options with an integrated Frosted Mini Beam; one window or three windows. This bollard light is a perfect way to add soft light to your pathways and walkways. Dimmable with Brilliance Dimmer and most magnetic transformers. Order with stainless-steel Impaler or ABS mounting stake. Light source ETL Certified for UL 1838 and CSA C22.2 Standards.

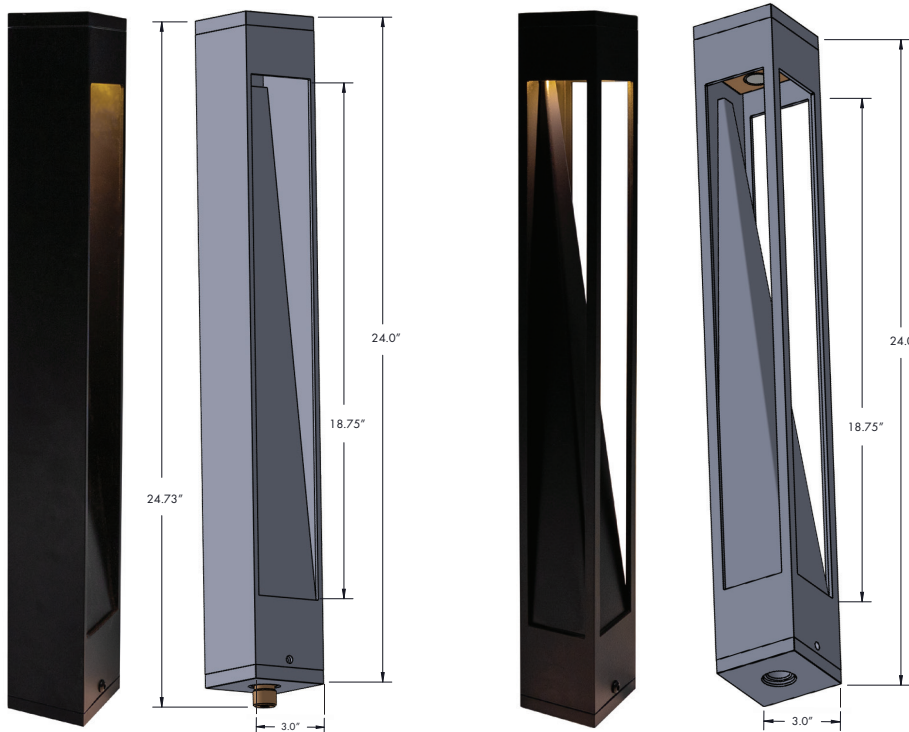
MOUNT RAINIER INTEGRATED BOLLARD

Use	Path, Area, and Garden Accent Lighting
Finish	Black Powder Coated Aluminum
Includes	Lighting Shrink Professional Crimp, Heat Shrink Cable Connector, and 30 in. Lead
Warranty	10 Year Warranty on Aluminum Fixtures
Integrated Lamp w/ Impaler	Frosted Mini Beam - 6W, 3000K, 120°, 400 Lumens, CRI 80, IP65, 8-15VAC, 5 yr warranty, 9.23VA, 30,000 hours
	One Window RAINIER-1-IMP
	Three Window RAINIER-3-IMP
Integrated Lamp w/ ABS Stake	Frosted Mini Beam - 6W, 3000K, 120°, 400 Lumens, CRI 80, IP65, 8-15VAC, 5 yr warranty, 9.23VA, 30,000 hours
	One Window RAINIER-1-STK
	Three Window RAINIER-3-STK

Impaler ABS Stake



Black Powder Coated Aluminum



One Window

Three Window

CARLSBAD

MR16 WELL LIGHT



DESCRIPTION

The Carlsbad Well Light is fitted for any MR16 lamp and comes to life with the Brilliance Chameleon MR16. The flat glass top comes in a brass finish.

CARLSBAD WELL LIGHT

Use	Well Lighting & Underground Up Lighting Recommended core drill size is 2.75 inches.	
Finish	Brass, Copper, Brass w/ Black Ceramic Coated, and Weathered Brass	
Includes	Includes Honeycomb Louver, Lighting Shrink Professional Crimp, Heat Shrink Cable Connector, and 30 in. Lead	
Warranty	Lifetime Warranty on National Parks Series Fixtures	
Order With Lamp	MR16, 4W, 2700K, 30°	CARLSBAD-BK CARLSBAD-BR CARLSBAD-CU CARLSBAD-WB
Order Without Lamp	Fits Chameleon MR16, MR16	CARLSBAD-BK-NL CARLSBAD-BR-NL CARLSBAD-CU-NL CARLSBAD-WB-NL



Brass (BR)



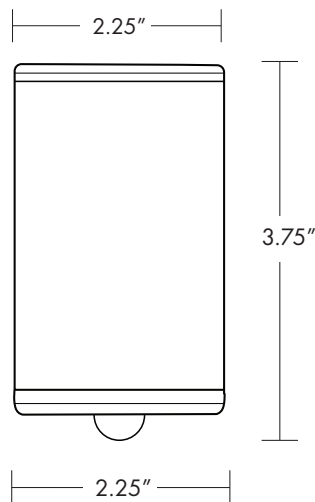
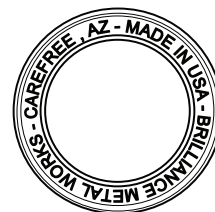
Copper (CU)



Brass + Black Ceramic Coated (BK)



Weathered Brass (WB)



CARLSBAD FLANGE

MR16 Well Light



DESCRIPTION

The Carlsbad Flange Well Light is ideal for recessed and hardscape applications like being core drilled into concrete, pavers, and driveways. (The recommended core drill size is 2.75 inches.) The Carlsbad Flange is fitted for any MR16 lamp and comes to life with the Brilliance Chameleon MR16. Like the original Carlsbad fixture, the flat glass top comes in a brass finish.

CARLSBAD FLANGE WELL LIGHT

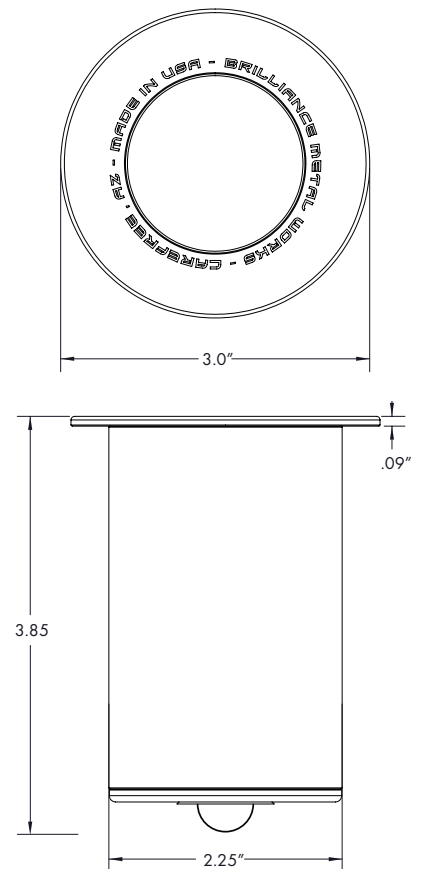
Use	Well Lighting & Underground Up Lighting in Recessed & Hardscape Applications Recommended core drill size is 2.75 inches	
Finish	Brass and Weathered Brass	
Includes	PVC Sleeve, Honeycomb Louver, Lighting Shrink Professional Crimp, Heat Shrink Cable Connector, and 30 in. Lead	
Warranty	Lifetime Warranty on National Parks Series Fixtures	
Order With Lamp	MR16, 4W, 2700K, 30°	CARLSBAD-BR-FLANGE CARLSBAD-WB-FLANGE
Order Without Lamp	Fits Chameleon MR16, MR16	CARLSBAD-BR-FLANGE-NL CARLSBAD-WB-FLANGE-NL



Brass (BR)



Weathered Brass (WB)



CONGAREE

MR11 Well Light



DESCRIPTION

The Congaree Well Light is fitted for any MR11 lamp. The flat glass top comes in a brass finish.

CONGAREE WELL LIGHT

Use	Well Lighting & Underground Up Lighting The recommended core drill size is 2.125 inches	
Finish	Brass, Copper, Brass w/ Black Ceramic Coated, and Weathered Brass	
Includes	Lighting Shrink Professional Crimp, Heat Shrink Cable Connector, and 30 in. Lead	
Warranty	Lifetime Warranty on National Parks Series Fixtures	
Order With Lamp	MR11, 2W, 2700K, 30°	CONGAREE-BK CONGAREE-BR CONGAREE-CU CONGAREE-WB
Order Without Lamp	Fits MR11	CONGAREE-BK-NL CONGAREE-BR-NL CONGAREE-CU-NL CONGAREE-WB-NL



Brass (BR)



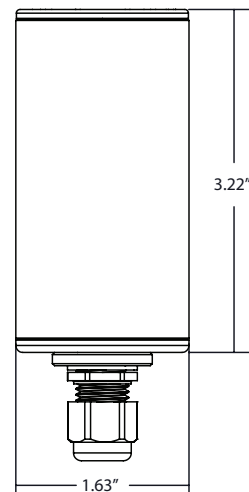
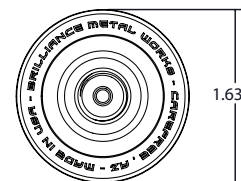
Copper (CU)



Brass + Black Ceramic Coated (BK)



Weathered Brass (WB)



CONGAREE FLANGE

MR11 Well Light



DESCRIPTION

The Congaree Flange Well Light is ideal for recessed and hardscape applications like being core drilled into concrete, pavers, and driveways. (The recommended core drill size is 2.125 inches.) The Congaree Flange is fitted for any MR11 lamp. Like the original Congaree fixture, the flat glass top comes in a brass finish.

CONGAREE FLANGE WELL LIGHT

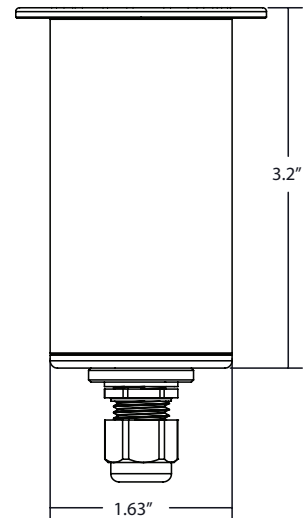
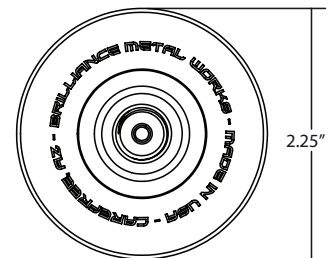
Use	Well Lighting & Underground Up Lighting in Recessed & Hardscape Applications The recommended core drill size is 2.125 inches	
Finish	Brass and Weathered Brass	
Includes	PVC Sleeve, Lighting Shrink Professional Crimp, Heat Shrink Cable Connector, and 30 in. Lead	
Warranty	Lifetime Warranty on National Parks Series Fixtures	
Order With Lamp	MR11, 2W, 2700K, 30°	CONGAREE-BR-FLANGE CONGAREE-WB-FLANGE
Order Without Lamp	Fits MR11	CONGAREE-BR-FLANGE-NL CONGAREE-WB-FLANGE-NL



Brass (BR)



Weathered Brass (WB)

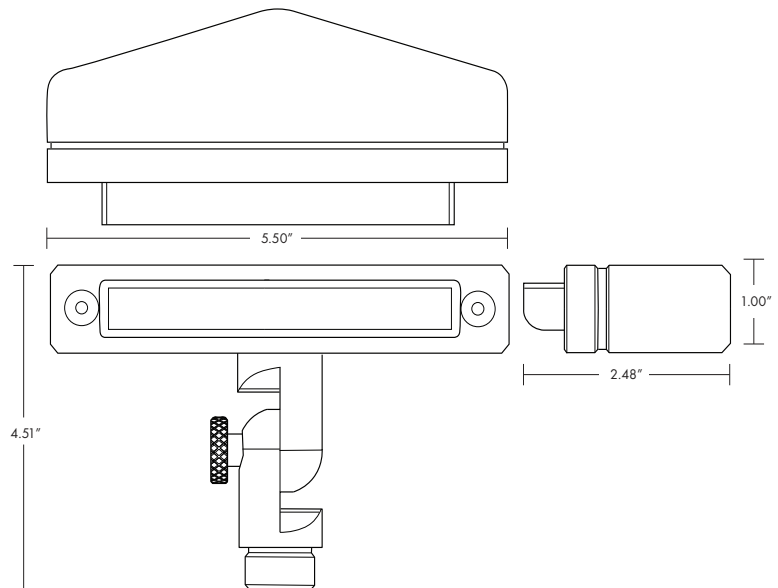


DESCRIPTION

The Ozark Soft Accent Light has an integrated Small Light Bar. It features a glare shield, as well as the Brilliance Metal Works signature adjustment system, which allows for 22 points of articulation of the knuckle in 10-degree increments. Dimmable with Brilliance Dimmer and most magnetic transformers. Light Source UL Certified E511083.

OZARK SOFT ACCENT LIGHT

Use	Uplighting, Grazing, and Backlighting Techniques Best for Low Level Wall Wash Techniques
Finish	Aluminum w/ Black Ceramic Coated
Includes	ABS Mounting Stake, Lighting Shrink Professional Crimp, Heat Shrink Cable Connector, and 30 in. Lead
Warranty	10 Year Warranty on Aluminum Fixtures
Integrated Lamp	Small Light Bar - 1.5W, 2700K, 110 Lumens, CRI 85, IP65, 8-15VAC, 1.67VA, 5 year warranty OZARK-2700
	Small Light Bar - 1.5W, 3000K, 110 Lumens, CRI 85, IP65, 8-15VAC, 1.67VA, 5 year warranty OZARK-3000



Aluminum + Black Ceramic Coated
(BK)

CASCADES

Step Light

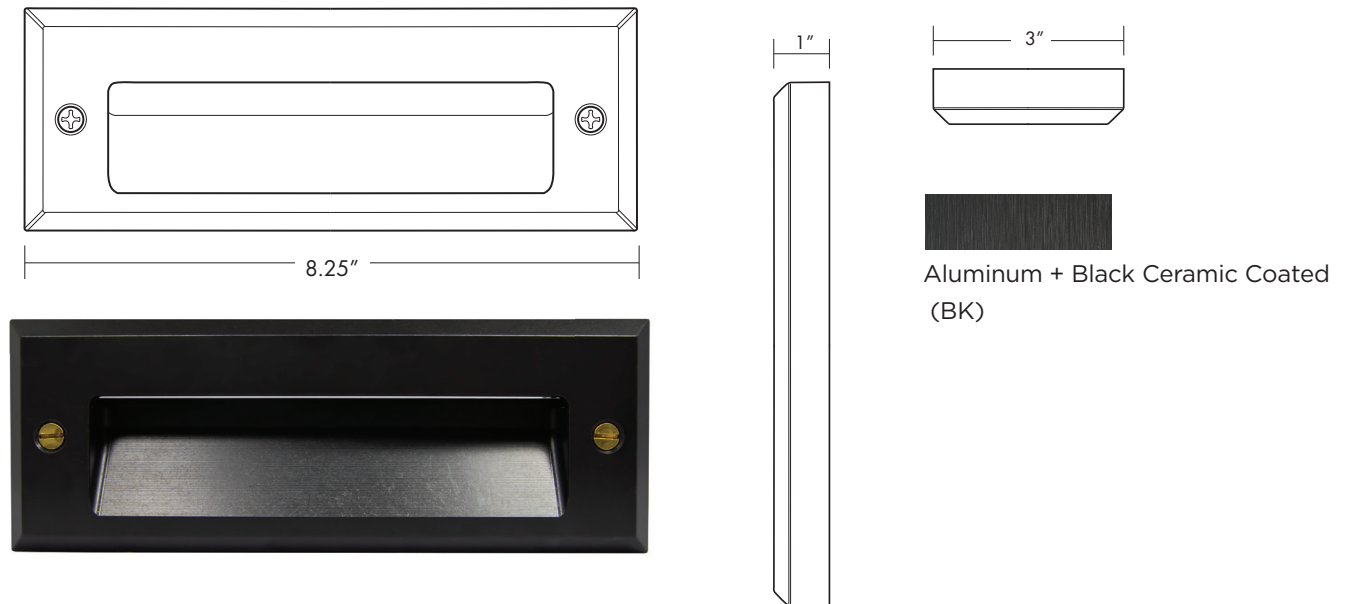


DESCRIPTION

The Cascades Step Light casts the right amount of indirect light for visual interest, as well as safety. Dimmable with Brilliance Dimmer and most magnetic transformers.

CASCADES STEP LIGHT

Use	Areas with Elevation Changes or Dark Sky Requirements Step, Deck, or Hardscape Applications, and Over Most Existing Recessed Step Lights
Finish	Aluminum w/ Black Ceramic Coated
Includes	Lighting Shrink Professional Crimp and Heat Shrink Cable Connector, 2 Mounting Screws, and 30 in. Lead
Warranty	10 Year Warranty on Aluminum Fixtures
Integrated Lamp	7.5" Light Bar - 1.5W, 2700K, 110 Lumens, CRI 85, IP65, 8-15VAC, 1.67VA, 5 year warranty CASCADES-2700-BK
	7.5" Light Bar - 1.5W, 3000K, 110 Lumens, CRI 85, IP65, 8-15VAC, 1.67VA, 5 year warranty CASCADES-3000-BK



INSTALLING THE FIXTURE

1. **Separate the two pieces of the fixture by removing the two screws from both sides of the faceplate.**
2. **If mounting in masonry, concrete, or sheetrock, install the wall anchors.**
3. **Use the provided cable connectors to connect the lead wires to the transformer main line.**
4. **Slide the cables into the conduit and mount the back plate onto the wall with the provided screws.**
5. **Screw the faceplate onto the fixture.**

LIGHT BAR



DESCRIPTION

The Light Bar is easy to install. Its rugged construction and black aluminum rail makes it a great fit for high-traffic areas. Light Bars are dimmable with most magnetic transformers and the frosted design offers continuous light. Enhanced ESD (Electro-Static Discharge) protection (IEC-61000-4-2). UL Certified E511083. Optional light bar shields in Copper or Stainless-Steel are available in Small and Medium only.

LIGHT BAR

Use	Areas with Elevation Changes or Dark Sky Requirements Deck, Step, & Hardscape Applications	
Includes	Integrated Light Bar & 30 in. Lead	
Warranty	5 Year Warranty on Light Bars	
Integrated Lamp	Small - 1.5W, 110 Lumens, 5.125" Length, CRI 85, IP65, 8-15VAC, 1.67VA, 5 yr warranty, 30,000 hours	
	2700K	BRI-LB-LED-2700-S
	3000K	BRI-LB-LED-3000-S
	Amber	BRI-LB-LED-AMBER-S
	Medium - 2.5W, 200 Lumens, 9.0" Length, CRI 85, IP65, 8-15VAC, 2.78VA, 5 yr warranty, 30,000 hours	
	2700K	BRI-LB-LED-2700-M
	3000K	BRI-LB-LED-3000-M
	Amber	BRI-LB-LED-AMBER-M
	Large - 4W, 300 Lumens, 12.875" Length, CRI 85, IP65, 8-15VAC, 4.40VA, 5 yr warranty, 30,000 hours	
2700K	BRI-LB-LED-2700-L	
3000K	BRI-LB-LED-3000-L	
Accessories	Mounting Bracket	
	Small	BRI-MB-LED-S
	Medium	BRI-MB-LED-M
	Large	BRI-MB-LED-L
	Light Bar Shield	
	Small Copper	LBS-S-C
	Small Stainless	LBS-S-SS
Medium Copper	LBS-M-C	
Medium Stainless	LBS-M-SS	

NEC® Article 411.5 (B): Lighting systems shall be installed not less than 3m (10ft.) horizontally from the nearest edge of the water, unless permitted by Article 680.



TEE WALL WASHER



DESCRIPTION

The Tee Wall Washer Light features the Brilliance Metal Works adjustment system which allows articulation of the knuckle. For ease of installation, the power cable comes zip tied to the ground stake. Dimmable with Brilliance Dimmer and most magnetic transformers. Light source UL Certified E511083.

TEE WALL WASHER

Use	Up Lighting/Back Lighting & Grazing Low Profile Pathway Lighting
Finish	Brass, Copper, or Brass w/ Black Ceramic Coated
Includes	Lighting Shrink Professional Crimp, Heat Shrink Cable Connector, and 30 in. Lead
Warranty	Lifetime Warranty on Tee Wall Washer Fixtures
Integrated Lamp	Small Light Bar - 1.5W, 2700K, 110 Lumens, CRI 85, IP65, 8-15VAC, 1.67VA, 5 year warranty TEE-WALL-WASHER-2700-COPPER TEE-WALL-WASHER-2700-BRASS TEE-WALL-WASHER-2700-BRASS-BLK
	Small Light Bar - 1.5W, 3000K, 110 Lumens, CRI 85, IP65, 8-15VAC, 1.67VA, 5 year warranty TEE-WALL-WASHER-3000-COPPER TEE-WALL-WASHER-3000-BRASS TEE-WALL-WASHER-3000-BRASS-BLK



INSTALLING THE FIXTURE

- 1. Dig a hole in the ground approximately 1" wide by 4" deep.**
- 2. Insert the built-in stake into the hole and aim the fixture in the preferred direction and angle.**
- 3. For soft soil, gently push the stake into the ground.**
- 4. Lay the power cable from the fixture into the existing cable trench and use the LightingShrink cable connector to join the fixture cable to the main cable.**

ADJUSTABLE AQUABEAM



DESCRIPTION

The Adjustable AquaBeam has been redesigned to use drop-in MR16 lamps in extremely wet or underwater applications. This new construction allows you to specify the wattage, beam spread, and color for your lighting design and is field serviceable. The Adjustable AquaBeam is precision machined from C464 Naval Brass and offers vertical and horizontal adjustment. It works best with premium Brilliance MR16 4W, 5W, or 7W lamps. Dimmable with Brilliance Dimmer and most magnetic transformers.

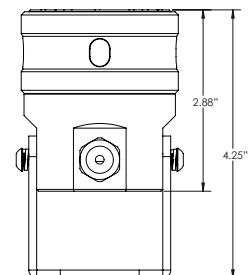
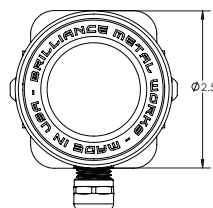


ADJUSTABLE AQUABEAM

Use	Fully Submersible, Ideal for Saltwater Applications
Finish	C464 Naval Brass
Includes	25 ft Lead, Stainless-Steel Bracket (marine grade), and 30 in. Lead
Warranty	Lifetime Warranty on Brass Housing, 5 Year Warranty on All Internal Components at Maximum Depth of up to 10' (3m)
IP	68

Order With Lamp

MR16 4W	15°	30°	60°	120°
2700K	ADJ-AQUABEAM-4-2700-15	ADJ-AQUABEAM-4-2700-30	ADJ-AQUABEAM-4-2700-60	ADJ-AQUABEAM-4-2700-120
3000K	ADJ-AQUABEAM-4-3000-15	ADJ-AQUABEAM-4-3000-30	ADJ-AQUABEAM-4-3000-60	ADJ-AQUABEAM-4-3000-120
5700K			ADJ-AQUABEAM-4-5700-60	
Amber		ADJ-AQUABEAM-4-AMBER-30		
Blue		ADJ-AQUABEAM-4-BLUE-30		
MR16 5W	15°	30°	60°	120°
2700K	ADJ-AQUABEAM-5-2700-15	ADJ-AQUABEAM-5-2700-30	ADJ-AQUABEAM-5-2700-60	ADJ-AQUABEAM-5-2700-120
3000K	ADJ-AQUABEAM-5-3000-15	ADJ-AQUABEAM-5-3000-30	ADJ-AQUABEAM-5-3000-60	ADJ-AQUABEAM-5-3000-120
5700K		ADJ-AQUABEAM-5-5700-30	ADJ-AQUABEAM-5-5700-60	
Amber		ADJ-AQUABEAM-5-AMBER-30		
Blue		ADJ-AQUABEAM-5-BLUE-30		
Green		ADJ-AQUABEAM-5-GREEN-30		
Red		ADJ-AQUABEAM-5-RED-30		
Silver Green		ADJ-AQUABEAM-5-SLVRGR-30	ADJ-AQUABEAM-5-SLVRGR-60	
MR16 7W	15°	30°	60°	120°
2700K	ADJ-AQUABEAM-7-2700-15	ADJ-AQUABEAM-7-2700-30	ADJ-AQUABEAM-7-2700-60	ADJ-AQUABEAM-7-2700-120
3000K	ADJ-AQUABEAM-7-3000-15	ADJ-AQUABEAM-7-3000-30	ADJ-AQUABEAM-7-3000-60	ADJ-AQUABEAM-7-3000-120
5700K		ADJ-AQUABEAM-7-5700-30	ADJ-AQUABEAM-7-5700-60	ADJ-AQUABEAM-7-5700-120



*Note: Corrosive chemicals in the water of ponds and fountains as well as natural hard water and salt water could affect the appearance of the coating, but will not impact functionality of the product. For this reason, Brilliance LED makes no warranty or guarantee for change in appearance when this product is used in water, as it is designed to be used. (NOT for use in swimming pools, spas, or any contained water basin in contact with people per NEC Article 682.)

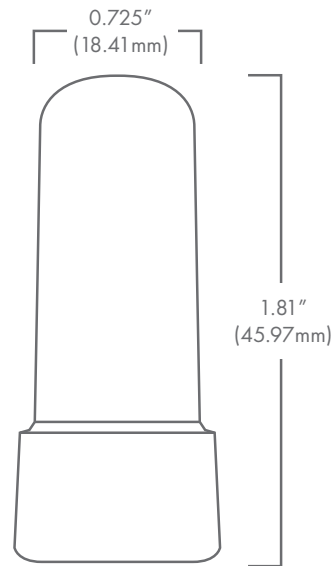
NICHE LIGHT

DESCRIPTION

The Niche Light is the perfect lamp to bring light to hard-to-reach places, whether under water, in a water feature, under stairs, stone walls, stone lanterns, or any small space. This omni-directional product solves the issue of fitting a fixture and a lamp into a small area. The Niche Light is wired with a 10ft lead and is ready to plug and play anywhere. We recommend using Lighting Shrink connections for Niche Lights. Dimmable with Brilliance Dimmer and most magnetic transformers.

NICHE LIGHT

Use	Fully Submersible in Water Features or Heavy Irrigation Areas Small Spaces that Need Omni-Directional Light
Includes	10 ft. Lead
Warranty	3 Year Warranty on Niche Lights
Integrated Lamp	Niche Light - 3W, 215 Lumens, CRI 90, IP68, 8-14VAC, 3 year warranty, 5.00VA, 30,000 hours 2700K NICHE-LIGHT



*Note: Corrosive chemicals in the water of ponds and fountains as well as natural hard water and salt water could affect the appearance of the coating, but will not impact functionality of the product. For this reason, Brilliance makes no warranty or guarantee for change in appearance when this product is used in water, as it is designed to be used. (NOT for use in swimming pools, spas, or any contained water basin in contact with people per NEC Article 682.)

MINI BEAM + STAKE & SHIELD

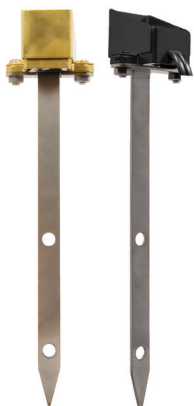


DESCRIPTION

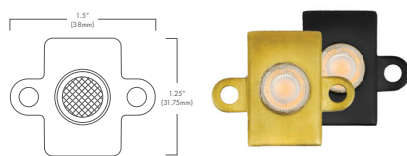
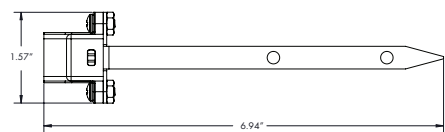
The Mini Beam is the perfect lamp to bring light to hard-to-reach places, whether under stairs, stone walls, stone lanterns, any small space, even under water. This directional product solves the issue of fitting a fixture and a lamp into a small area and features Enhanced ESD (Electro-Static Discharge) protection (IEC-61000-4-2). We recommend using Lighting Shrink connections for Mini Beams. Dimmable with Brilliance Dimmer and most magnetic transformers. Now packaged and pre-assembled with the Stake & Shield accessory. If your application calls for it, shape or bend the stake to optimize the light's aim. The stake and shield can easily be removed for use in other applications ETL Certified for UL 1838 and CSA C22.2 Standards. Available in Brass (BR) or Black (BK) finishes.

MINI BEAM

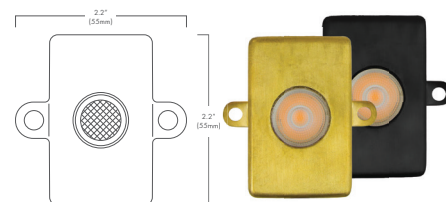
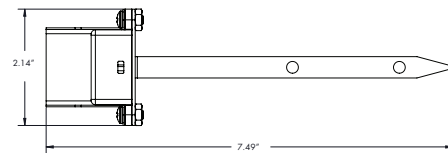
Use	Fully Submersible in Water Features or Heavy Irrigation Areas, Small Spaces that Need Directional Light		
Finish	Brass or Black		
Includes	Stainless-Steel Stake, Stainless-Steel Screws, Brass Shield, 12 ft Lead		
Warranty	5 Year Warranty on Mini Beams		
Integrated Lamp	Mini Beam - 1.2W, 90 Lumens, 36°, CRI 90, IP68, 8-15VAC, 5 year warranty, 2.50VA 30,000 hours		
		BRASS	BLACK
	2700K	MINI-BEAM-2700-90-BR	MINI-BEAM-2700-90-BK
	3000K	MINI-BEAM-3000-90-BR	MINI-BEAM-3000-90-BK
	Amber	MINI-BEAM-AMBER-90-BR	MINI-BEAM-AMBER-90-BK
	Blue	MINI-BEAM-BLUE-90-BR	MINI-BEAM-BLUE-90-BK
	Green	MINI-BEAM-GREEN-90-BR	MINI-BEAM-GREEN-90-zBK
	Mini Beam - 2.5W, 200 Lumens, 36°, CRI 90, IP68, 8-15VAC, 5 year warranty, 3.75VA, 30,000 hours		
		BRASS	BLACK
	2700K	MINI-BEAM-2700-200-BR	MINI-BEAM-2700-200-BK
3000K	MINI-BEAM-3000-200-BR	MINI-BEAM-3000-200-BK	
Mini Beam - 5W, 400 Lumens, 36°, CRI 90, IP68, 8-15VAC, 5 year warranty, 9.23VA, 30,000 hours			
	BRASS	BLACK	
2700K	MINI-BEAM-2700-400-BR	MINI-BEAM-2700-400-BK	
3000K	MINI-BEAM-3000-400-BR	MINI-BEAM-3000-400-BK	



90 and 200



400



*Note: Corrosive chemicals in the water of ponds and fountains as well as natural hard water and salt water could affect the appearance of the coating, but will not impact functionality of the product. For this reason, Brilliance LED makes no warranty or guarantee for change in appearance when this product is used in water, as it is designed to be used. (NOT for use in swimming pools, spas, or any contained water basin in contact with people per NEC Article 682.)

GUTTER MOUNT

Mini Beam Accessory



DESCRIPTION

The Gutter Mount is an easy-to-affix, sleek accessory bracket that pairs with Mini Beams to light upper segments of structures. The low profile of the Gutter Mount makes it an unobtrusive lighting option compared to traditional upright fixtures.

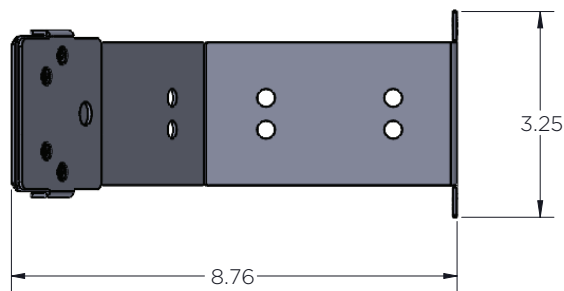
The stainless-steel bracket is engineered to work with the various sizes of Mini Beams and offers 30-degrees of vertical adjustment. It can also be painted to match its surroundings. Includes two bracket mounting screws and zip ties. Mini Beam sold separately.

GUTTER MOUNT

Use	Upper Segments of Residential or Commercial Structures, Like Dormers or Other Architectural Features	
Finish	Stainless-Steel	
Includes	Gutter Mount, Mounting Bracket Screws, Zip Ties, and 30 in. Lead	
Warranty	Lifetime Warranty on Gutter Mount Accessory	
Order Without Light Source	Fits Any Mini Beam	GUTTER-MOUNT



Gutter Mount shown with 400 Lumen Mini Beam (not included)



INSTALLING THE GUTTER MOUNT

- 1. Attach the Mini Beam to the Gutter Mount using the supplied bracket screws.**
- 2. Attach the Gutter Mount to the fascia of the structure.**
- 3. Adjust the gimbal bracket to the preferred location and tighten the screws.**
- 4. Secure the Mini Beam wire to the Gutter Mount bracket using the supplied zip ties.**
- 5. Wire the Mini Beam into a low voltage power supply.**

REPLACEMENT PARTS



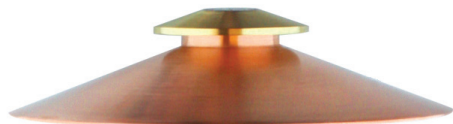
MR-11 SHIELD FOR ACADIA

SHIELD-MR11-BK
SHIELD-MR11-BR
SHIELD-MR11-CU



MR-16 SHIELD FOR DENALI & ARCHES

SHIELD-MR16-BK
SHIELD-MR16-BR
SHIELD-MR16-CU



SEQUOIA TOP

PL-7-LID ASSEMBLY-BK
PL-7-LID-ASSEMBLY-BR
PL-7-LID-ASSEMBLY-CU



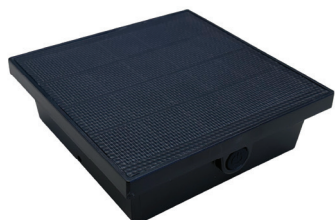
ZION TOP

PL-4-LID-ASSEMBLY-BK
PL-4-LID-ASSEMBLY-BR
PL-4-LID-ASSEMBLY-CU



PATHLIGHT GLASS

PL-GLASS-ASSEMBLY
PL-GLASS-ASSEMBLY-BLK



SOLAR MODULE
SOLAR-MODULE

*Module Imported

THE IMPALER

Made of stainless-steel and measuring 12.5 inches long, this stake will ensure the security of any fixture. The two holes allow for rebar to run through the stake for extra security.



IMPALER

HONEYCOMB LOUVER

This hexagonal accessory lays between the lamp and the lens of any MR16 spring loaded fixture to reduce glare.

DL-MR16-LOUVER-4.33



ACCESSORIES



CHAMELEON PROGRAMMING PUCK

This handy tool helps with the set-up of any Chameleon series lamp, using any 12-volt AC or DC power source. Battery pack and batteries included.



PROGRAMMING-PUCK

MR11/MR8 RING ADAPTERS

Adapters for MR11 and MR8 lamps to fit inside MR16 sized fixtures. Includes both MR11 and MR8 adapter rings.

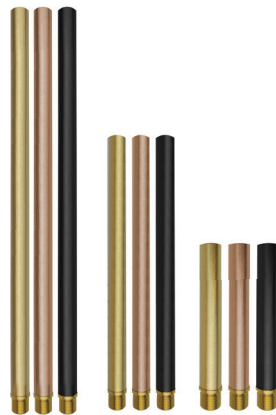
MR8-MR11-ADAPTER-RING



shown: MR11 Adapter

RISERS

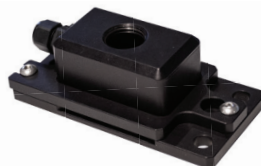
Add a 6", 12", or 18" riser to elevate fixtures above obstacles such as foliage.



RISER-6-F
RISER-12-F
RISER-18-F

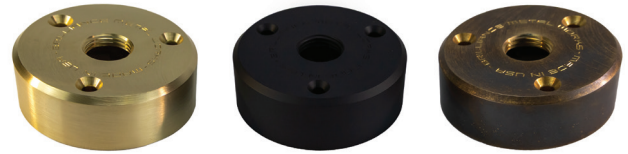
DIRECTIONAL DOWNLIGHT TREE MOUNT

This tree mount allows for the Arches fixture to be mounted by screws or a fastening belt around any post or tree. Screws and wrench included.



TREE-MOUNT

DECK MOUNT



The Brilliance Metal Works deck mount is made from solid round aluminum or brass stock. It is machined through a CNC

computerized process making it a virtually flawless design. Three mounting holes allow the canopy to be installed evenly on any hard-flat surface. A cable relief slot is located on the bottom side of the mount. Designed with a 1/2" NPT female thread and accepts all Brilliance Metal Works stem and knuckled fixtures.

DECK-MOUNT-AL-BK
DECK-MOUNT-BK
DECK-MOUNT-BR
DECK-MOUNT-WB

90-DEGREE ADAPTER

Add the 90-Degree Adapter to one of our directional fixtures (such as the Denali or Acadia) to create a versatile, one-of-a-kind lighting solution. It's available in one-, two-, and three-way mounting points. The kit includes a 90-Degree Adapter, an 18" stem, two lock nuts, and a wrench. Fixture sold separately.



- *Special Order **90-1-H-F*** (one mounting point)
- *Special Order **90-2-H-F*** (two mounting points)
- *Special Order **90-3-H-F*** (three mounting points)

LIGHTING SHRINK

A lighting shrink is a protective, heat-shrinkable sleeve designed to insulate, seal, and safeguard electrical connections in lighting systems from moisture, abrasion, and environmental damage.



LIGHTING-SHRINK

F=Finish

H=Height F=Finish

ACCESSORIES

Adjustable Riser 14" - 25" and 8" - 13"

The adjustable extension risers come in black or bronze and are available in two sizes, small and large. Each riser has a male half-inch NPT thread at the bottom and a female half-inch NPT thread at the top.

The small version adjusts from 8 inches up to 12 1/2 inches, while the large starts at 20 inches and extends up to 36 inches. should be Small (8" - 13") or Medium (14" - 24"). A locking collar lets you set either riser to the exact height you need. These can be combined with the tee fitting and 90° fitting to create a double-headed path light.



BD-A-RISER-M-BK
BD-A-RISER-M-BR



BD-A-RISER-S-BK
BD-A-RISER-S-BZ

Black Diamond Deck Mount

The deck mount is a flange with a female half-inch NPT thread and three holes for bolt or screw mounting into a surface. Fixtures with a half-inch NPT thread can be installed by threading them into the flange, with the wiring exiting from either the back or the side. It's designed for both deck and wall-mount applications and is available in black or bronze.



BD-DECK-MOUNT-BK
BD-DECK-MOUNT-BZ

Gutter Mount

The gutter mount is made of stainless-steel with a black locknut that releases from the mount so a fixture can be attached, then snaps back into place. It comes with stainless-steel screws for fastening it securely to the gutter.



VB-GUTTER-MOUNT-BK

90° L Sweep Adapter

The 90° fitting comes in both black and bronze and features a male half-inch NPT thread on one side and a female half-inch NPT thread with an Allen screw locking mechanism on the other to secure a fixture.



VB-90-SWEEP-BK
VB-90-SWEEP-BZ

It can be paired with the deck mount to create a sconce, and when used alongside two 90° fittings, a tee fitting, extension risers, and directional downlights, it can form a double-headed path light.

Tee Adapter

The tee fitting comes in black or bronze and features a male half-inch NPT thread in the center, with half-inch NPT female threads on both sides, each equipped with an Allen screw locking mechanism.



VB-S-TEE-BK
VB-S-TEE-BZ

It's useful when two fixtures are needed to create an up-and-down lighting effect, and it can also be paired with the deck mount and the Versa Beam bubble rod to create a sconce.



SOLAR PRODUCTS

SERENITY SOLAR LANTERN

DESCRIPTION

The Serenity Solar Lantern features eco-friendly solar power, harnessing the energy of the sun with advanced solar panels to ensure reliable lighting from dusk till dawn. The solar panel on the top of the fixture can be set in three different modes: adaptive brightness mode, motion detection mode, and low light - bright light motion detection mode. Its elegant design, constructed from high-quality stainless-steel with finishes available in Teakwood, Black, and Brushed Stainless-Steel, includes glass panels that cast a warm, inviting glow. This lantern is built to withstand the elements, making it perfect for year-round outdoor use.

SERENITY SOLAR LANTERN

Use	Portable solar powered lantern - Great for steps, patios and seating areas
Dimensions	8.58"W x 8.58"D x 23.23"H
Finish	Stainless-steel construction - Black, Teak, or Brushed Finish
Includes	Lantern with handle: No assembly required Solar Module: Patented Mono crystalline laminated glass solar panel with battery - USBC rechargeable
Useful Light Dimensions	50-100 Sq Ft
Warranty	2-Year Fixture Warranty
Integrated Solar Module	500 Lumen, IP66, Motion Sensor, Dimmable
Operating Instructions	Multiple Power Modes - Please reference User Guide for detailed instructions
Includes Solar Module	SERENITY-LA-BK-L SERENITY-LA-SS-L SERENITY-LA-TK-L



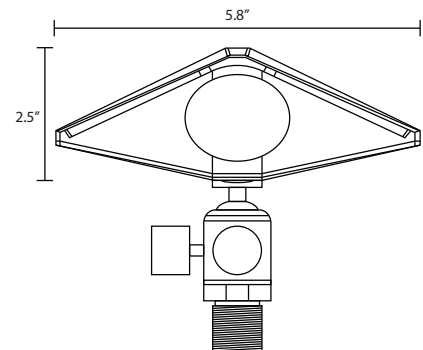
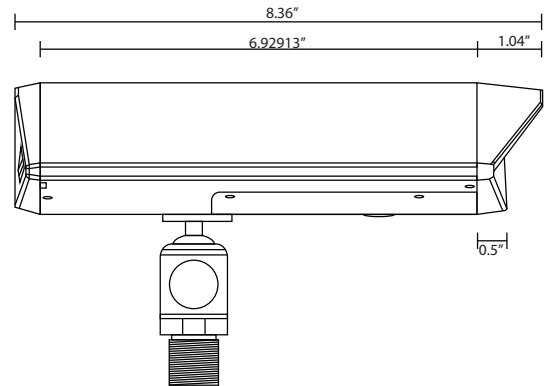
AURORA SOLAR DIRECTIONAL LIGHT *COMING SOON*

DESCRIPTION

The Aurora Solar Directional Light is a solar-powered fixture designed to provide targeted illumination for your outdoor spaces. Featuring adjustable lighting and automatic operation, this versatile light adapts to various needs and settings. Its wireless design ensures easy installation, making it ideal for areas without low voltage wiring such as gardens, pathways, driveways and large estates.

AURORA SOLAR DIRECTIONAL LIGHT

Use	Uplighting, Grazing, Backlighting, and Wall Washing	
Finish	Airplane Aluminum - Black Enamel Finish	
Includes	Aurora Solar light and black abs stake	
Warranty	5-Years	
Integrated Lamp	Patented Mono crystalline laminated glass solar panel with battery	
	Wattage	5W
	Voltage	5V
	Kelvin Temperature	3000k
	Beam Spread	36°
	IP	66
Operating Instructions	Automatic Dusk To Dawn Sensor	



PRESTIGE SOLAR PATH LIGHT

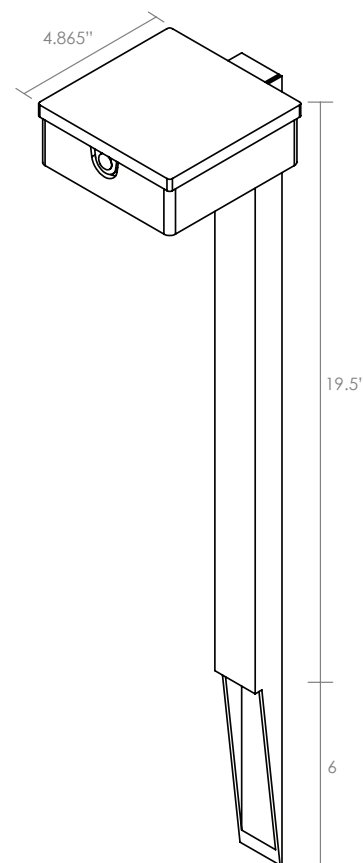


DESCRIPTION

The Brilliance Prestige Solar Path Light is a great addition to a lighting system. Use this product when power is not available. The solar panel on the top of the fixture can be set in three different modes: adaptive brightness mode, motion detection mode, and low light - bright light motion detection mode. The path light casts 3000K If there are low light levels during the day, the solar module can be moved inside and charged through a USB-C provided in the box The housing is made out of aircraft aluminum Which can be mounted onto the Brilliance mounting spike included.

PRESTIGE SOLAR PATH LIGHT

Use	Path, Area, and Garden Accent Lighting
Finish	Black Powdercoated Frame with Brass Cap, Black Powdercoated Frame with Black Powdercoated Cap
Includes	Solar Module: Patented Mono crystalline laminated glass solar panel with battery - USBC rechargeable
Warranty	3 Years
Integrated Solar Module	500 Lumen, IP66, Motion Sensor, Dimmable
Operating Instructions	Multiple Power Modes - Please reference User Guide for detailed instructions
Includes Solar Module	PRESTIGE-PL-BR PRESTIGE-PL-BK



ROSWELL SOLAR PATH LIGHT



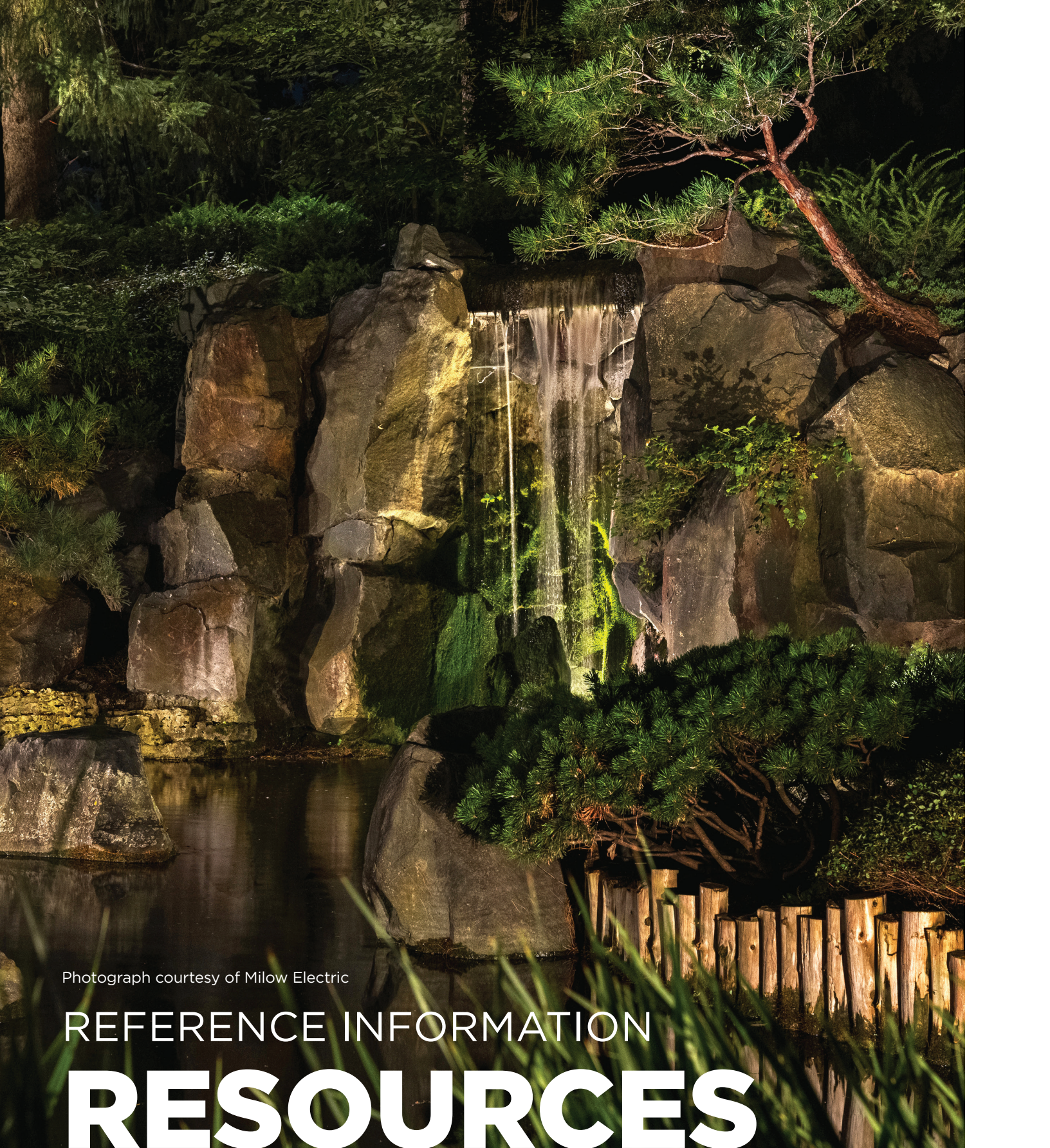
DESCRIPTION

The Roswell Solar Path Light is a solar energy-powered path light. The fixture is equipped with motion sensor settings. Automatic operation and wireless design make for easy installation and use. The wireless design makes this fixture perfect for areas without low voltage wiring such as: gardens, pathways, campsites, and large estates.

ROSWELL SOLAR PATH LIGHT

Use	Areas with Full Sun that Need a Solar Powered Landscape Light Areas with Full Sun that Need Motion Detection						
Finish	Stainless-Steel Construction with Opaque Diffuser						
Includes	Mono-Crystalline Laminated Glass Solar Panel 30 in. Lead Battery - 18650, 2600mAh, 3.7V Two Mounting Options: Flush Mount or with Included Stake Three Modes of Motion Detection: <table border="0" style="margin-left: 40px;"> <tr> <td>Constant Dim Light</td> <td>30 Lumens</td> </tr> <tr> <td>Standby</td> <td>200 Lumens for 25 seconds</td> </tr> <tr> <td>Motion</td> <td>300 Lumens for 25 seconds</td> </tr> </table>	Constant Dim Light	30 Lumens	Standby	200 Lumens for 25 seconds	Motion	300 Lumens for 25 seconds
Constant Dim Light	30 Lumens						
Standby	200 Lumens for 25 seconds						
Motion	300 Lumens for 25 seconds						
Warranty	2-Year Warranty on Roswell Fixtures						
Integrated Lamp	1.8W, 5V, 3000K, CRI 83, IP65, 2 year warranty ROSWELL-SOLAR-PL						
Operating Instructions	To turn on or off, press and hold the power button for five seconds. To change modes between three available settings, press the button for one second. Motion sensor is active at 20 to 26 feet distance at 90-degree angle.						





Photograph courtesy of Milow Electric

REFERENCE INFORMATION

RESOURCES

PHOTOMETRICS

**MR8 2700K 15°
CANDLEPOWER=491.27**

Distance		Foot Candles
2 ft	6"	122.82
4 ft	1' 1"	30.70
6 ft	1' 7"	13.65
8 ft	2' 1"	7.68
10 ft	2' 8"	4.91
15 ft	3' 11"	2.18
20 ft	5' 3"	1.23
30ft	7' 11"	0.55
40 ft	10' 6"	0.31
50 ft	13' 2"	0.20

**MR11/AR11 2700K 15°
CANDLEPOWER=914.21**

Distance		Foot Candles
2 ft	6"	228.55
4 ft	1' 1"	57.14
6 ft	1' 7"	25.39
8 ft	2' 1"	14.28
10 ft	2' 8"	9.14
15 ft	3' 11"	4.06
20 ft	5' 3"	2.29
30ft	7' 11"	1.02
40 ft	10' 6"	0.57
50 ft	13' 2"	0.37

**MR16 2700K 15° 4W
CANDLEPOWER=488.72**

Distance		Foot Candles
2 ft	6"	946.07
4 ft	1' 1"	236.52
6 ft	1' 7"	105.12
8 ft	2' 1"	59.13
10 ft	2' 8"	37.84
15 ft	3' 11"	16.82
20 ft	5' 3"	9.46
30ft	7' 11"	4.20
40 ft	10' 6"	2.37
50 ft	13' 2"	1.51

**MR8 2700K 30°
CANDLEPOWER=263.11**

Distance		Foot Candles
2 ft	1' 1"	65.78
4 ft	2' 2"	16.44
6 ft	3' 3"	7.31
8 ft	4' 3"	4.11
10 ft	5' 4"	2.63
15 ft	8'	1.17
20 ft	10' 9"	0.66
30ft	16' 1"	0.29
40 ft	21' 5"	0.16
50 ft	26' 10"	0.11

**MR11/AR11 2700K 30°
CANDLEPOWER=274.57**

Distance		Foot Candles
2 ft	1' 1"	65.78
4 ft	2' 2"	16.44
6 ft	3' 3"	7.31
8 ft	4' 3"	4.11
10 ft	5' 4"	2.63
15 ft	8'	1.17
20 ft	10' 9"	0.66
30ft	16' 1"	0.29
40 ft	21' 5"	0.16
50 ft	26' 10"	0.11

**MR16 2700K 30° 4W
CANDLEPOWER=232.03**

Distance		Foot Candles
2 ft	1' 1"	552.71
4 ft	2' 2"	138.18
6 ft	3' 3"	61.41
8 ft	4' 3"	34.54
10 ft	5' 4"	22.11
15 ft	8'	9.83
20 ft	10' 9"	5.53
30ft	16' 1"	2.46
40 ft	21' 5"	1.38
50 ft	26' 10"	0.88

**MR8 2700K 60°
CANDLEPOWER=76.9**

Distance		Foot Candles
2 ft	2' 4"	19.23
4 ft	4' 8"	4.81
6 ft	6' 11"	2.14
8 ft	9' 3"	1.20
10 ft	11' 6"	0.77
15 ft	17' 4"	0.34
20 ft	23' 1"	0.19
30ft	37' 7"	0.09
40 ft	46' 2"	0.05
50 ft	57' 8"	0.03

**MR11/AR11 2700K 60°
CANDLEPOWER=114.1**

Distance		Foot Candles
2 ft	2' 4"	28.53
4 ft	4' 8"	7.13
6 ft	6' 11"	3.17
8 ft	9' 3"	1.78
10 ft	11' 6"	1.14
15 ft	17' 4"	0.51
20 ft	23' 1"	0.29
30ft	37' 7"	0.13
40 ft	46' 2"	0.07
50 ft	57' 8"	0.05

**MR16 2700K 60° 4W
CANDLEPOWER=123.45**

Distance		Foot Candles
2 ft	2' 4"	215.84
4 ft	4' 8"	53.96
6 ft	6' 11"	23.98
8 ft	9' 3"	13.49
10 ft	11' 6"	8.63
15 ft	17' 4"	3.84
20 ft	23' 1"	2.16
30ft	37' 7"	0.96
40 ft	46' 2"	0.54
50 ft	57' 8"	0.35

**MR8 2700K 120°
CANDLEPOWER=41.45**

Distance		Foot Candles
2 ft	6' 11"	10.36
4 ft	13' 10"	2.59
6 ft	20' 9"	1.15
8 ft	27' 9"	0.65
10 ft	34' 8"	0.41
15 ft	52'	0.18
20 ft	69' 3"	0.10
30ft	103' 11"	0.05
40 ft	138' 7"	0.03
50 ft	173' 2"	0.02

**MR11/AR11 2700K 120°
CANDLEPOWER=60.68**

Distance		Foot Candles
2 ft	6' 11"	15.17
4 ft	13' 10"	3.79
6 ft	20' 9"	1.69
8 ft	27' 9"	0.95
10 ft	34' 8"	0.61
15 ft	52'	0.27
20 ft	69' 3"	0.15
30ft	103' 11"	0.07
40 ft	138' 7"	0.04
50 ft	173' 2"	0.02

**MR16 2700K 120° 4W
CANDLEPOWER=46.18**

Distance		Foot Candles
2 ft	6' 11"	93.15
4 ft	13' 10"	23.29
6 ft	20' 9"	10.35
8 ft	27' 9"	5.82
10 ft	34' 8"	3.73
15 ft	52'	1.66
20 ft	69' 3"	0.93
30ft	103' 11"	0.41
40 ft	138' 7"	0.23
50 ft	173' 2"	0.15

PHOTOMETRICS

**MR16 2700K 15° 5W
CANDLEPOWER=565.78**

Distance		Foot Candles
2 ft	6"	1156.80
4 ft	1' 1"	289.20
6 ft	1' 7"	128.53
8 ft	2' 1"	72.30
10 ft	2' 8"	46.27
15 ft	3' 11"	20.57
20 ft	5' 3"	11.57
30ft	7' 11"	5.14
40 ft	10' 6"	2.89
50 ft	13' 2"	1.85

**MR16 2700K 15° 7W
CANDLEPOWER=1003.17**

Distance		Foot Candles
2 ft	6"	2236.9
4 ft	1' 1"	559.24
6 ft	1' 7"	248.55
8 ft	2' 1"	139.81
10 ft	2' 8"	89.48
15 ft	3' 11"	39.77
20 ft	5' 3"	22.37
30ft	7' 11"	9.94
40 ft	10' 6"	5.59
50 ft	13' 2"	3.58

**PAR36 2700K 15° 4W
CANDLEPOWER=993.88**

Distance		Foot Candles
2 ft	6"	1728.60
4 ft	1' 1"	432.15
6 ft	1' 7"	192.07
8 ft	2' 1"	108.04
10 ft	2' 8"	69.14
15 ft	3' 11"	30.73
20 ft	5' 3"	17.29
30ft	7' 11"	7.68
40 ft	10' 6"	4.32
50 ft	13' 2"	2.77

**MR16 2700K 30° 5W
CANDLEPOWER=280.99**

Distance		Foot Candles
2 ft	1' 1"	1099.60
4 ft	2' 2"	274.90
6 ft	3' 3"	122.18
8 ft	4' 3"	68.72
10 ft	5' 4"	43.98
15 ft	8'	19.55
20 ft	10' 9"	11.00
30ft	16' 1"	4.89
40 ft	21' 5"	2.75
50 ft	26' 10"	1.76

**MR16 2700K 30° 7W
CANDLEPOWER=651**

Distance		Foot Candles
2 ft	1' 1"	1391.34
4 ft	2' 2"	347.84
6 ft	3' 3"	154.59
8 ft	4' 3"	86.96
10 ft	5' 4"	55.65
15 ft	8'	24.73
20 ft	10' 9"	13.91
30ft	16' 1"	6.18
40 ft	21' 5"	3.48
50 ft	26' 10"	2.23

**PAR36 2700K 30° 4W
CANDLEPOWER=615.10**

Distance		Foot Candles
2 ft	1' 1"	1087.90
4 ft	2' 2"	271.91
6 ft	3' 3"	120.88
8 ft	4' 3"	67.99
10 ft	5' 4"	43.52
15 ft	8'	19.34
20 ft	10' 9"	10.88
30ft	16' 1"	4.84
40 ft	21' 5"	2.72
50 ft	26' 10"	1.74

**MR16 2700K 60° 5W
CANDLEPOWER=140.35**

Distance		Foot Candles
2 ft	2' 4"	378.08
4 ft	4' 8"	94.52
6 ft	6' 11"	42.01
8 ft	9' 3"	23.63
10 ft	11' 6"	15.12
15 ft	17' 4"	6.72
20 ft	23' 1"	3.78
30ft	37' 7"	1.68
40 ft	46' 2"	0.95
50 ft	57' 8"	0.60

**MR16 2700K 60° 7W
CANDLEPOWER=267.57**

Distance		Foot Candles
2 ft	2' 4"	710.46
4 ft	4' 8"	177.61
6 ft	6' 11"	78.94
8 ft	9' 3"	44.40
10 ft	11' 6"	28.42
15 ft	17' 4"	12.63
20 ft	23' 1"	7.10
30ft	37' 7"	3.16
40 ft	46' 2"	1.78
50 ft	57' 8"	1.14

**PAR36 2700K 60° 4W
CANDLEPOWER=141.39**

Distance		Foot Candles
2 ft	2' 4"	356.96
4 ft	4' 8"	89.24
6 ft	6' 11"	39.66
8 ft	9' 3"	22.31
10 ft	11' 6"	14.28
15 ft	17' 4"	6.35
20 ft	23' 1"	3.57
30ft	37' 7"	1.59
40 ft	46' 2"	0.89
50 ft	57' 8"	0.57

**MR16 2700K 120° 5W
CANDLEPOWER=56.86**

Distance		Foot Candles
2 ft	6' 11"	114.70
4 ft	13' 10"	28.67
6 ft	20' 9"	12.74
8 ft	27' 9"	7.17
10 ft	34' 8"	4.59
15 ft	52'	2.04
20 ft	69' 3"	1.15
30ft	103' 11"	0.51
40 ft	138' 7"	0.29
50 ft	173' 2"	0.18

**MR16 2700K 120° 7W
CANDLEPOWER=100.74**

Distance		Foot Candles
2 ft	6' 11"	203.21
4 ft	13' 10"	50.80
6 ft	20' 9"	22.58
8 ft	27' 9"	12.70
10 ft	34' 8"	8.13
15 ft	52'	3.61
20 ft	69' 3"	2.03
30ft	103' 11"	0.90
40 ft	138' 7"	0.51
50 ft	173' 2"	0.33

**PAR36 2700K 120° 4W
CANDLEPOWER=53.57**

Distance		Foot Candles
2 ft	6' 11"	108.06
4 ft	13' 10"	27.02
6 ft	20' 9"	12.01
8 ft	27' 9"	6.75
10 ft	34' 8"	4.32
15 ft	52'	1.92
20 ft	69' 3"	1.08
30ft	103' 11"	0.48
40 ft	138' 7"	0.27
50 ft	173' 2"	0.17

PHOTOMETRICS

**PAR36 2700K 15° 7W
CANDLEPOWER=1633.79**

Distance	Foot Candles	
2 ft	6"	2994.37
4 ft	1' 1"	748.59
6 ft	1' 7"	332.71
8 ft	2' 1"	187.15
10 ft	2' 8"	119.77
15 ft	3' 11"	53.23
20 ft	5' 3"	29.94
30ft	7' 11"	13.31
40 ft	10' 6"	7.49
50 ft	13' 2"	4.79

**PAR36 2700K 15° 11W
CANDLEPOWER=1524.06**

Distance	Foot Candles	
2 ft	6"	4721.78
4 ft	1' 1"	1180.45
6 ft	1' 7"	524.64
8 ft	2' 1"	295.11
10 ft	2' 8"	188.87
15 ft	3' 11"	83.94
20 ft	5' 3"	47.22
30ft	7' 11"	20.99
40 ft	10' 6"	11.80
50 ft	13' 2"	7.55

**PAR36 2700K 15° 15W
CANDLEPOWER=2332.45**

Distance	Foot Candles	
2 ft	6"	5585.89
4 ft	1' 1"	1396.47
6 ft	1' 7"	620.65
8 ft	2' 1"	349.12
10 ft	2' 8"	223.44
15 ft	3' 11"	99.30
20 ft	5' 3"	55.86
30ft	7' 11"	24.83
40 ft	10' 6"	13.96
50 ft	13' 2"	8.94

**PAR36 2700K 30° 7W
CANDLEPOWER=921.93**

Distance	Foot Candles	
2 ft	1' 1"	1681.19
4 ft	2' 2"	420.30
6 ft	3' 3"	186.80
8 ft	4' 3"	105.07
10 ft	5' 4"	67.25
15 ft	8'	29.98
20 ft	10' 9"	16.81
30ft	16' 1"	7.47
40 ft	21' 5"	4.20
50 ft	26' 10"	2.69

**PAR36 2700K 30° 11W
CANDLEPOWER=1453.65**

Distance	Foot Candles	
2 ft	1' 1"	1720.47
4 ft	2' 2"	430.12
6 ft	3' 3"	191.16
8 ft	4' 3"	107.53
10 ft	5' 4"	68.82
15 ft	8'	30.59
20 ft	10' 9"	17.20
30ft	16' 1"	7.65
40 ft	21' 5"	4.30
50 ft	26' 10"	2.75

**PAR36 2700K 30° 15W
CANDLEPOWER=2010.02**

Distance	Foot Candles	
2 ft	1' 1"	2252.99
4 ft	2' 2"	563.25
6 ft	3' 3"	250.33
8 ft	4' 3"	140.81
10 ft	5' 4"	90.12
15 ft	8'	40.05
20 ft	10' 9"	22.53
30ft	16' 1"	10.01
40 ft	21' 5"	5.63
50 ft	26' 10"	3.60

**PAR36 2700K 60° 7W
CANDLEPOWER=268.78**

Distance	Foot Candles	
2 ft	2' 4"	564.61
4 ft	4' 8"	141.15
6 ft	6' 11"	62.73
8 ft	9' 3"	35.29
10 ft	11' 6"	22.58
15 ft	17' 4"	10.04
20 ft	23' 1"	5.65
30ft	37' 7"	2.51
40 ft	46' 2"	1.41
50 ft	57' 8"	0.90

**PAR36 2700K 60° 11W
CANDLEPOWER=326.08**

Distance	Foot Candles	
2 ft	2' 4"	654.16
4 ft	4' 8"	163.54
6 ft	6' 11"	72.68
8 ft	9' 3"	40.88
10 ft	11' 6"	26.17
15 ft	17' 4"	11.63
20 ft	23' 1"	6.54
30ft	37' 7"	2.91
40 ft	46' 2"	1.64
50 ft	57' 8"	1.05

**PAR36 2700K 60° 15W
CANDLEPOWER=518.25**

Distance	Foot Candles	
2 ft	2' 4"	1141.96
4 ft	4' 8"	285.49
6 ft	6' 11"	126.88
8 ft	9' 3"	71.37
10 ft	11' 6"	45.68
15 ft	17' 4"	20.30
20 ft	23' 1"	11.42
30ft	37' 7"	5.08
40 ft	46' 2"	2.85
50 ft	57' 8"	1.83

**PAR36 2700K 120° 7W
CANDLEPOWER=62.75**

Distance	Foot Candles	
2 ft	6' 11"	126.58
4 ft	13' 10"	31.64
6 ft	20' 9"	14.06
8 ft	27' 9"	7.91
10 ft	34' 8"	5.06
15 ft	52'	2.25
20 ft	69' 3"	1.27
30ft	103' 11"	0.56
40 ft	138' 7"	0.32
50 ft	173' 2"	0.20

**PAR36 2700K 120° 11W
CANDLEPOWER=169.14**

Distance	Foot Candles	
2 ft	6' 11"	341.19
4 ft	13' 10"	85.30
6 ft	20' 9"	37.91
8 ft	27' 9"	21.32
10 ft	34' 8"	13.65
15 ft	52'	6.07
20 ft	69' 3"	3.41
30ft	103' 11"	1.52
40 ft	138' 7"	0.85
50 ft	173' 2"	0.55

**PAR36 2700K 120° 15W
CANDLEPOWER=228.93**

Distance	Foot Candles	
2 ft	6' 11"	461.80
4 ft	13' 10"	115.45
6 ft	20' 9"	51.31
8 ft	27' 9"	28.86
10 ft	34' 8"	18.47
15 ft	52'	8.21
20 ft	69' 3"	4.62
30ft	103' 11"	2.05
40 ft	138' 7"	1.15
50 ft	173' 2"	0.74

VOLT AMPS

Watts / Power Factor = Volt Amps

LOW VOLTAGE	Watt	Power Factor	Volt Amps (VA)
Micro G4	1.2	0.79	1.52
Micro T5	1.2	0.79	1.52
Beacon G4	2	0.61	3.28
Beacon Plus G4	3	0.66	4.55
Beacon T5	2	0.61	3.28
Beacon SCB	2	0.61	3.28
Beacon DCB	2	0.61	3.28
Beacon S8	2	0.61	3.28
G4 Ecostar	2	0.60	3.33
	3	0.60	5.00
T5 Ecostar	3	0.60	5.00
SCB Ecostar	3	0.60	5.00
Blaze G4	2	0.60	3.33
Rectangle Wafer	2	0.60	3.33
	3	0.58	5.10
Round Wafer	2	0.60	3.33
MR8	1.5	0.60	2.50
MR11	2	0.60	3.33
AR11	2	0.60	3.33
MR16 Ecostar	4	0.63	6.35
	7	0.63	11.11
MR16	4	0.63	6.35
	5	0.60	8.33
	7	0.63	11.11
PAR36	4	0.60	6.67
	7	0.65	10.77
	11	0.69	15.94
	15	0.70	21.43
Chameleon G4	2.5	0.60	4.17
Chameleon MR16	6	0.65	9.23
Chameleon PAR36	9	0.65	13.85
Strip Light	1.8 per m	0.92	1.95 per ft
Wave Strip Light	4.5	1.5	2.50 per ft
Candelabra Edge Filament	2	0.85	2.35
	3.5	0.85	4.12
S14 Edge Filament	1	0.75	1.33
	2	0.75	2.67
	3.5	0.89	3.93
Light Bar 7.5" in Cascades	1.5	0.90	1.67
Light Bar Small	1.5	0.90	1.67
Light Bar Medium	2.5	0.90	2.78
Light Bar Large	4	0.91	4.40
Aquabeam	5	0.73	6.85
	10	0.88	11.36
Niche Light	3	0.60	5.00
Mini Beam 90	1.5	0.60	2.50
Mini Beam 200	3	0.80	3.75
Mini Beam 400 & Mount Rainier	6	0.65	9.23
Guadalupe	3.8	0.63	6.03
Versa Beam	3	0.63	4.78

LINE VOLTAGE	Watt	Power Factor	Volt Amps (VA)
S14 Edge Filament	2.5	0.90	2.78
	3.5	0.90	3.89
Candelabra Edge Filament	3.5	0.90	3.89
A19 Edge Filament	6.5	0.90	7.22
Blaze Candelabra	3	0.80	3.75

INGRESS PROTECTION RATINGS

The IP Code is published by the International Electrotechnical Commission (IEC).

What it does:

Classifies and rates the degree of protection provided against the intrusion (including body parts such as hands and fingers), dust, accidental contact, and water by mechanical casings and electrical enclosures.

For example, a product rated IP67 means that:

- The product is protected against access to hazardous parts and is dust-tight
- It is also protected against the effects of temporary submersion in water (testing requires 30 minutes at 1-meter depth)



1ST DIGIT DEFINITION

- 0 No protection against contact and ingress of objects.
- 1 Protected against any large surface of the body, such as the back of a hand. Protected against solid objects greater than 50mm in size.
- 2 Protected against access to hazardous parts by a finger or similar object. Protected against solid objects greater than 12.5mm in size.
- 3 Protected against access to hazardous parts with a tool or thick wire. Protected against solid objects greater than 2.5mm in size.
- 4 Protected against access to hazardous parts with a wire, screw, etc. Protected against solid objects greater than 1mm in size.
- 5 Protected against access to hazardous parts. Dust protected.
- 6 Protected against access to hazardous parts. Dust-tight.

2ND DIGIT DEFINITION

- 0 No protection.
- 1 Protected against water drops.
- 2 Protected against water drops at a 15-degree angle.
- 3 Protected against water spray at a 60-degree angle.
- 4 Protected against water sprayed from all directions. Limited ingress permitted.
- 5 Protected against low pressure jets from all directions.
- 6 Protected against strong jets of water. For use on ship decks. Limited ingress permitted.
- 7 Protected against the effects of temporary submersion in water. Test requires 30 minutes at 1 meter depth.
- 8 Protected against the effects of long-term submersion. Customer specification applies to a specified pressure and specific testing maybe required.
- 9 Protected against high pressures associated with steam cleaning.



BRILLIANCE™

A HIGHER LIGHT FORM®



WILDLIFE CERTIFIED LIGHTING



MICRO G4



MR8



MR11



AR11



MR16



PAR36

	MICRO G4	MR8	MR11	AR11	MR16	PAR36
Wattage	1.2W	1.5W	2W	2W	4W 5W	7W 11W
Volt Amps	1.52	2.5	3.33	3.33	6.35 8.33	10.77 15.94
Beam Spread	Omni	30°	30°	30°	30°	30°
Operating Range	8-14 VAC/DC	8-25 VAC/DC	8-25 VAC/DC	8-25 VAC/DC	8-25 VAC/DC	8-25 VAC/DC
CRI	85	85	85	85	85	85
IP	65	61	61	61	61	68
Lamp Life	35,000	50,000	50,000	50,000	50,000	50,000
Warranty	5	5	5	5	5	5

Certification Information

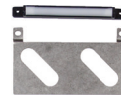
Certification Number: 2018-036 | Category: Certified Bulb
 Certification Requirements: Must be installed in a low-mounted, downward-directed, and shielded fixture



WILDLIFE CERTIFIED INTEGRATED LIGHTS



STRIP LIGHT



LIGHT BAR

Wattage	1.8 per meter	1.5W	2.5W
Volt Amps	3.00 per foot	1.67	2.78
Length	82.25 ft reel	5.125"	9.0"
Operating Range	8-16 VAC/DC	8-15 VAC	
CRI	80	85	
IP	65	65	
Lamp Life (hours)	35,000	30,000	
Warranty (years)	3	5	


Certification Information

Certification Numbers: Strip Light - 2018-036
Light Bar - 2019-270 | Category: Tape/Bullet LED Lights







Certification Requirements: Must be installed with the approved integrated Amber LED. Must be installed in a low, shielded location and directing the light downward and away from the beach. If the Light Bar is used in a fixture, the fixture must meet the FWC Lighting Guidelines for the appropriate fixture type.

WILDLIFE CERTIFIED FIXTURES



	Metal Works Fixture	Certification Info	Certification Requirements
	<p>Sequoia Path Light</p> <p><i>Brass, Copper, or Brass+Black (Ceramic Coated)</i></p>	<p>2019-268</p> <p>Category: Certified Walkway Lighting</p>	<p>Amber LED. Must be downward directed. Maximum mounting height of 24" from the ground. Additional shielding may be necessary if visible from the beach.</p>
	<p>Zion Path Light</p> <p><i>Brass, Copper, or Brass+Black (Ceramic Coated)</i></p>	<p>2019-267</p> <p>Category: Certified Walkway Lighting</p>	<p>Amber LED. Must be downward directed. Maximum mounting height of 24" from the ground. Additional shielding may be necessary if visible from the beach.</p>
	<p>Bryce Hanging Down Light</p> <p><i>Brass, Copper, or Brass+Black (Ceramic Coated)</i></p>	<p>2019-269</p> <p>Category: Certified Ceiling Mount Fixtures</p>	<p>Amber LED. Must be installed below structures. Allowed on the ground floor only, unless on the landward side of the structure. Additional shielding may be necessary if visible from the beach.</p>

FIXTURES UNDER FWC REVIEW

	Metal Works Fixture	Status	Light Source
	<p>Redwood Path Light</p> <p><i>Brass, Copper, Brass+Black (Ceramic Coated), or Brass+Black (Ceramic Coated) w/ Brass Top</i></p>	<p>Under Review</p> <p>Light Source Approved Under Certification Number 2018-036</p>	<p>Micro G4 Amber</p>
	<p>Everglades Area Light</p> <p><i>Brass or Brass+Black (Ceramic Coated)</i></p>	<p>Under Review</p> <p>Light Source Approved Under Certification Number 2018-036</p>	<p>Micro G4 Amber</p>
	<p>Surface Mount Wall Wash</p> <p><i>Brass, Copper, or Brass+Black (Ceramic Coated)</i></p>	<p>Under Review</p> <p>Light Source Approved Under Certification Number 2019-270</p>	<p>Integrated into Fixture</p>
	<p>Tee Wall Washer</p> <p><i>Brass, Copper, or Brass+Black (Ceramic Coated)</i></p>	<p>Under Review</p> <p>Light Source Approved Under Certification Number 2019-270</p>	<p>Integrated into Fixture</p>
	<p>Mini Beam + Stake & Shield 1.5W 90 Lumens</p> <p><i>36°, CRI 90, IP68, 8-15VAC, 3 year warranty, 2.50VA 30,000 hours</i></p>	<p>Under Review</p>	<p>Integrated into Fixture</p>
	<p>Adjustable AquaBeam</p> <p><i>MR16 4W: 6.35 VA, MR16 5W: 8.33VA, CRI 85, IP68, 8-25VAC, 5 year warranty, 50,000 hours</i></p>	<p>Under Review</p> <p>Light Source Approved Under Certification Number 2018-03</p>	<p>MR16 Amber</p>

PROFESSIONAL TRAINING

At Brilliance, we are passionate about landscape lighting and bringing the best products to the marketplace. We take the education and correct implementation of landscape lighting very seriously. This is why we offer our very own landscape lighting training. Our training covers a vast range of topics from the basics of LED products, to lighting techniques and designing architectural plans.

Training can be held in-person, either onsite at your location or at our facility in Carefree, Arizona. We can also provide video training sessions remotely. If you are interested in training, contact your Brilliance sales representative. To find the sales rep nearest to you, visit brillianceled.com/contact.



INTRODUCTION TO LANDSCAPE LIGHTING

This session is for anyone who is new to landscape lighting, whether you are in an adjacent field like irrigation, landscaping, or lawn care, or if you are brand new to the green industry.

This specialized training session is one day and provides attendees with the introductory technical skills to become a successful lighting contractor.

Topics include:

- Product & Design Training
- Hands-On Training
- Night Demo Techniques
- Social Media Best Practices
- Landscape Lighting Sales Techniques
- Tips on Night-Time Photography

ADDITIONAL TRAINING TOPICS

We offer training to distributor partners, as well as landscape lighting contractors, landscape lighting designers, landscape architects and specifiers, and anyone who installs our products in the field or specifies them in projects.

Topics include:

- Product Training: high level review of Brilliance and Metal Works products
- Design Training: covers step-by-step procedures, how and when to light, job walks, layout and design
- Low Voltage Electrical Training: covers cabling techniques, cabling connections, voltage drop, and other basics
- Customized Training By Request: combine sessions or add new topics

GRAND PRIZE WINNER
2025 PHOTO CONTEST



Milow Electric

10TH ANNUAL
PHOTO CONTEST

Now accepting entries year-round. Email photo submissions to marketing@brillianceled.com



National Lawn Sprinklers & Outdoor Living



Expert Outdoor Lighting



National Lawn Sprinklers & Outdoor Living



Milow Electric

Thank you to everyone who participated in our 10th annual photo contest in 2025. With so many exceptional photos, narrowing them down proved to be a very difficult task.

This photo contest gives you as landscape lighting designers and contractors the opportunity to show off your best Brilliance projects and share photos of beautiful and innovative landscape lighting, home lighting, and commercial lighting.

We're continually impressed with your work in the field and look forward to seeing submissions for the 10th Annual Photo Contest in 2026! Contact your sales rep with any questions.



BRILLIANCETM
A HIGHER LIGHT FORM[®]



brillianceled.com
7202 E Cave Creek Rd, Suite 3A
P.O. Box 2281 Carefree, AZ 85377

phone: 800.867.2108
fax: 480.575.0078



[Downloadable PDF](#)