



2023 PRODUCT CATALOG



Indoor & Outdoor Cabinetry | Product Specifications

High Density Polyethylene (HDPE) - SPECIFIER BENEFITS

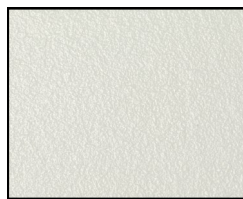
- All HDPE Cabinets and Doors are covered under our Limited Lifetime Warranty.
- Watertight—resists mold, mildew, fungus and bacteria
- Solid 3/4" thick High Density Polyethylene (HDPE) marine grade polymer with color throughout.
- Superior UV Stabilization
- Easy to clean and Maintenance Free
- Contains no natural wood material. Therefore, they are safe from animals, bugs, and any other harmful insects.
- FDA & USDA approved for food contact
- Made from recycled materials, 100% recyclable,
- Factory responsible recycling
- Contains 25%-75% post-industrial content
- No painting means no VOC emissions

HDPE STANDARD COLORS

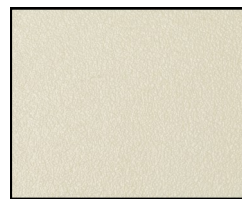
MATTE FINISH



Black



White



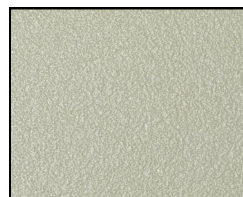
Seafoam



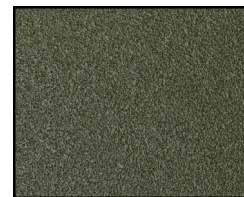
Dolphin Grey



Glacier Grey



Mercury Grey



Moss Grey



Desert



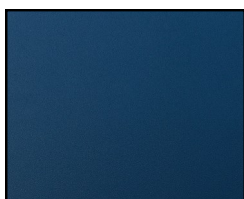
Sandshade



Tan



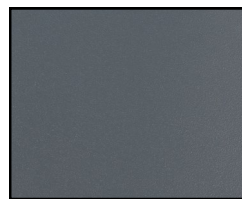
Chestnut



Indigo



Nugget



Wrought Iron

- Colors may vary slightly from product sample.

HDPE PREMIUM COLORS

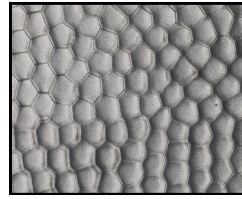
TEXTURED FINISH



Nickel Rotary
Brushed



Stainless Steel
Rotary Brushed



Stainless Steel
Hammered

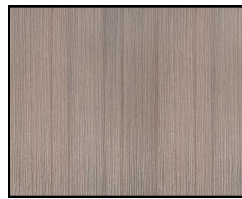
WOODGRAIN VARIEGATED FINISH



Blakely Birch



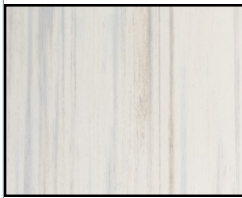
Northeastern Walnut



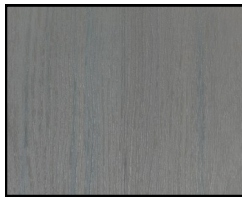
Olyphant Oak



Susquehanna Grey



Whitewash



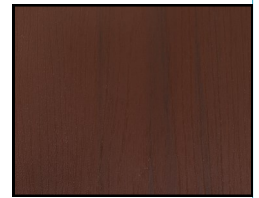
Dark Ash



Teak

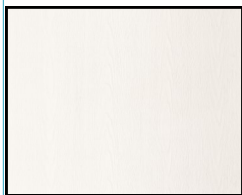


Weatherwood

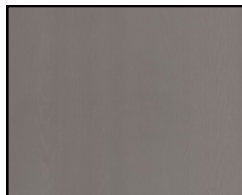


Mahogany

WOODGRAIN SOLID FINISH



Aspen



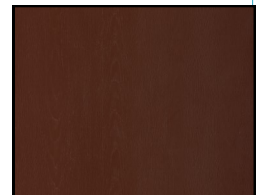
Coastal Grey



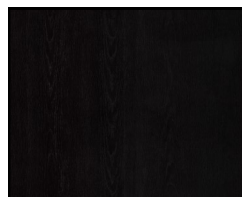
Maple



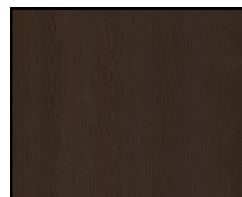
Elm



Kona



Ironwood



Hickory

- Colors may vary slightly from product sample.

Standard HDPE Door Styles

These doors are designed using solid 3/4" thick High Density Polyethylene (HDPE). Available in Doors, Drawer Fronts =/> 9" high, and Finished Back and Side Panels.



Simple



Riviera Maya



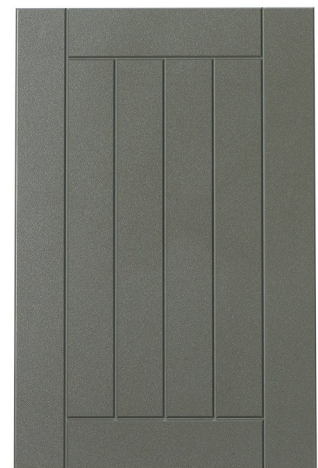
Country Living



Cape Cod



Sanibel Shaker



Captiva Shaker



Bonita

(Left Hinge Shown)

Slants will go down from door hinge side for door and drawer.



Denver



Naples

Premium HDPE Door Styles

These Inset Shaker doors are designed using solid 3/4" thick High Density Polyethylene (HDPE) with a 3/4" thick HDPE Inset Center Panel.

Available in Doors Only. (Excluding Drawer Fronts, Finished Back and Side Panels.)



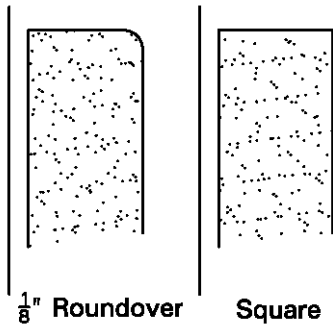
Springfield



Bridgewater

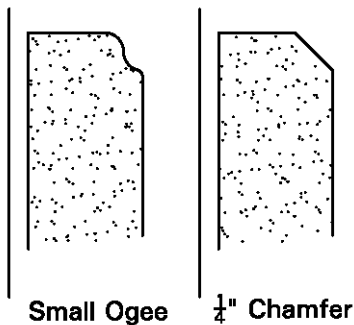
HDPE Edge Profiles

Choose from a large selection of HDPE edge profiles. Each edge compliments the door or drawers and adds a unique appearance to your outdoor cabinets.



1/8" Roundover

Square

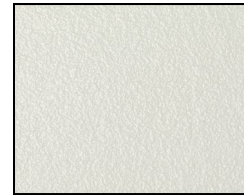


Small Ogee

1/4" Chamfer

HDPE Drawer Box Colors

The default drawer box color is White, however Black can also be substituted upon request.

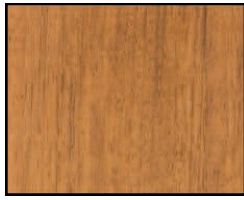


**White
Matte Finish
(Default)**



**Black
Matte Finish**

Natural Wood Species

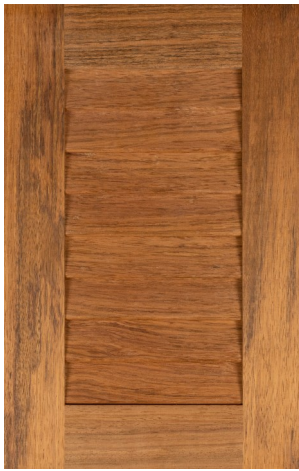


Brazilian Cherry



Teak

Natural Wood Door Styles



Louver
(not available in Teak)

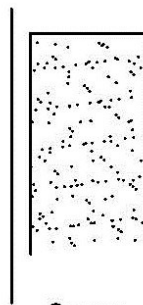


Raised Panel



Shaker

Natural Wood Edge Profile



Square

- Natural Wood Species Doors and other Natural Wood Species components which includes Brazilian Cherry and Teak are NOT covered under our Limited Lifetime Warranty and do not include any separate manufacturers warranty.
- Extended lead times may apply.

HDPE Woodgrain and Natural Wood

Cabinet boxes will be a Standard Matte Finish HDPE color of your choice to compliment the exterior Woodgrain Color.



HDPE Woodgrain or Natural Wood.

HDPE Cabinetry with HDPE Woodgrain or Natural Wood Species doors and finished components. All exterior components will be HDPE Woodgrain or Natural Wood Species.

Interior cabinet boxes will be a Standard Matte Finish HDPE color of your choice to compliment the exterior HDPE Woodgrain or Natural Wood Species.

Pricing Key

Price Group 1

- HDPE Cabinetry with Standard HDPE color options.
- Includes Matte Finish options.
- Cabinet boxes and exterior will be made from the same Standard HDPE color options.
- Includes Standard HDPE Door Style options.

⇒ Add 10% additional upcharge to Net price for Premium HDPE Door Style options.

Price Group 2

- HDPE Cabinetry with Premium HDPE color options.
- Includes Textured Finish and Woodgrain Finish options
- HDPE Woodgrain Finish exterior color selections will have cabinet boxes that will be a Matte Finish HDPE color of choice to compliment the exterior Woodgrain HDPE color.
- Includes Standard HDPE Door Style options.

⇒ Add 10% additional upcharge to Net price for Premium HDPE Door Style options.

Price Group 3

- HDPE Cabinetry with Brazilian Cherry Natural Wood Species doors and finished components.
- Cabinet boxes will be a matching Matte Finish HDPE color of choice to compliment the exterior Brazilian Cherry Natural Wood Species.
- Includes Raised Panel or Shaker Natural Wood Door Style options.

⇒ Add 20% additional upcharge to Net price for Louver Natural Wood Door Style.

Price Group 4

- HDPE Cabinetry with Teak Natural Wood Species doors and finished components.
- Cabinet boxes will be a matching Matte Finish HDPE color of choice to compliment the exterior Teak Natural Wood Species.
- Includes Raised Panel or Shaker Natural Wood Door Style options. (Louver door style not available in Teak.)

Custom Sizes

+/- Depth

- Cabinets with increased depth—Use next size standard depth as cost. Contact us for custom pricing if depth is larger than standard sizes.
- Cabinets with reduced depth—Use next size standard depth as cost.

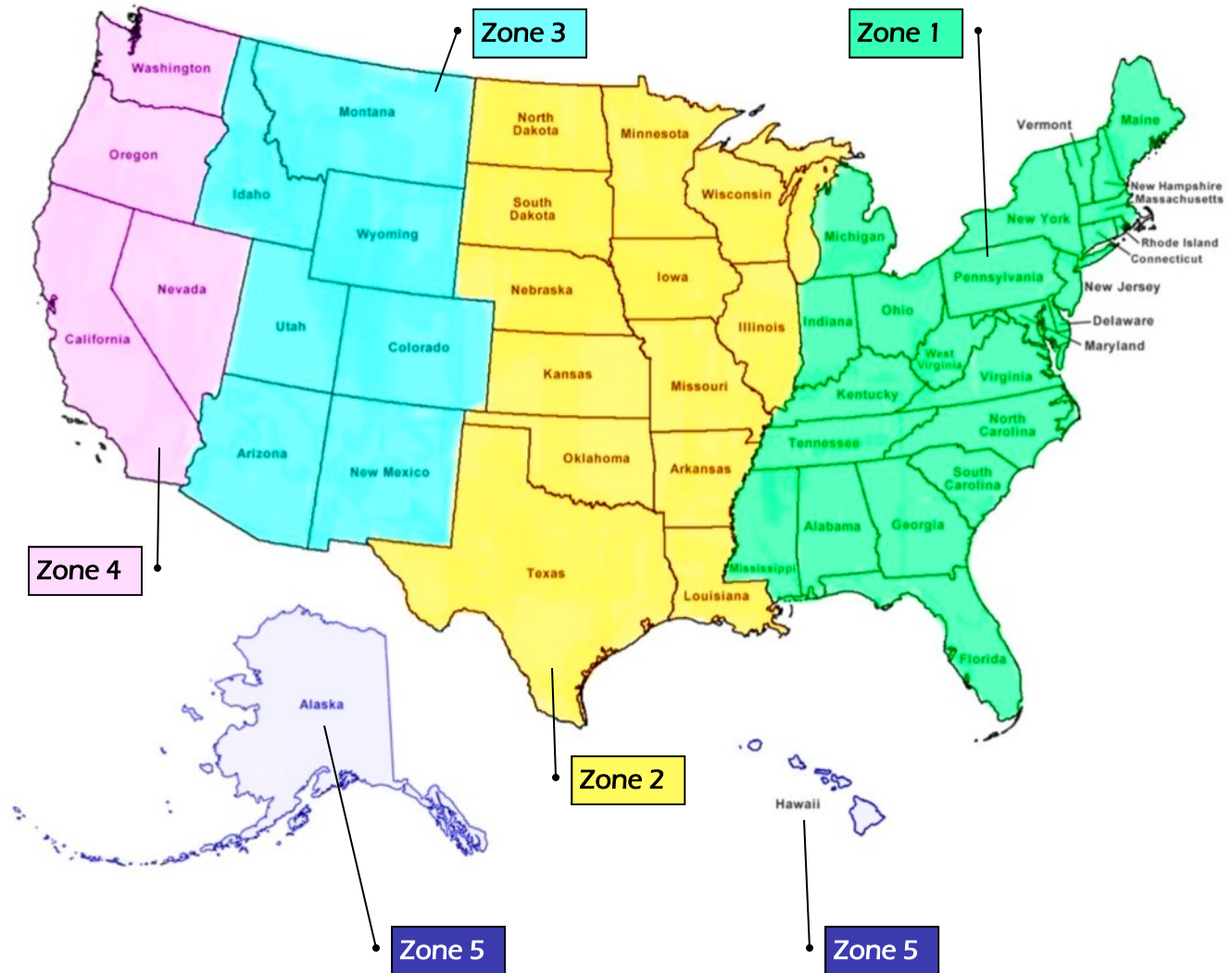
+/- Height

- Cabinets with increased height—Use next size standard height as cost. Contact us for custom pricing if height is larger than standard sizes.
- Cabinets with reduced height—Use next size standard height as cost.

+/- Width

- Cabinets with increased width—Use next size standard width as cost. Contact us for custom pricing if width is larger than standard sizes.
- Cabinets with reduced width—Use next size standard width as cost.

Shipping Zones Map



Zone 1
 • Net Price \$425.00

Zone 2
 • Net Price \$560.00

Zone 3
 • Net Price \$640.00

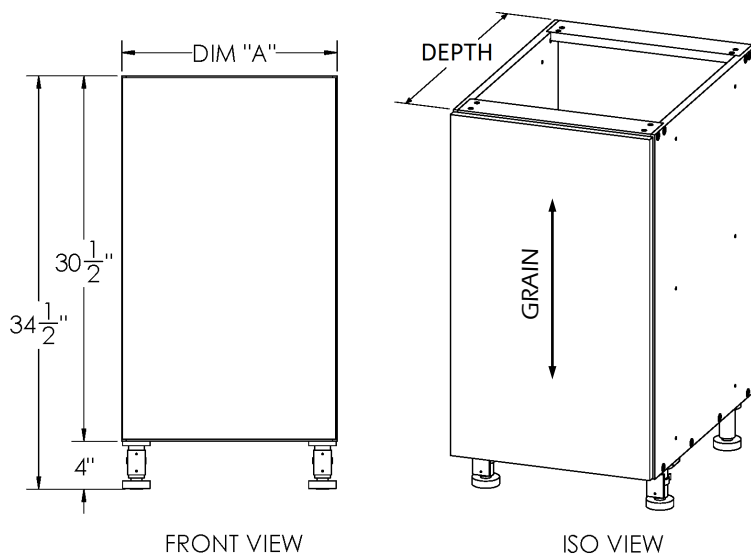
Zone 4
 • Net Price \$730.00

Zone 5
 • Contact us for pricing.

Notes:

- Residential Delivery // Lift Gate = \$250.00
- Delivery Notification = \$35.00 (Freight Company to call once shipment arrives at their terminal, then calls dealer to schedule a day and time to deliver)
- Excessive Length = \$150.00 (Items 95" and longer incur an excessive length fee)

Base Cabinet with Full Height Single Door (L or R)



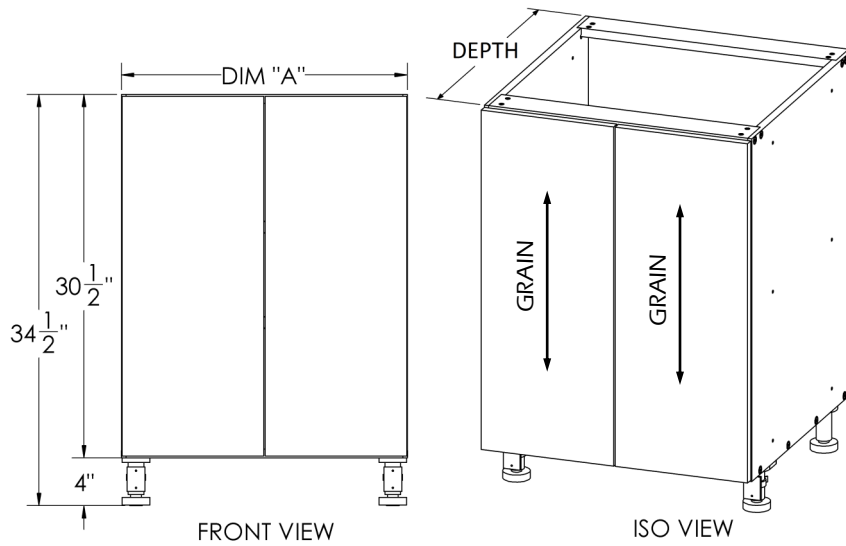
- On all single door cabinets specify left or right hinge.
- 3/4" thick finished end panels are available.
- Comes with (2) Shelves
- Cabinets are 18", 24" or 27" in Depth which is to cabinet face without the door. The door plus the spacer will add about 7/8" to the overall depth.

Model Shown: BFH18R

BFH 18 R
Base Cabinet Width Right Hinge

Model #	Dim "A"	Price Group 1	Price Group 2	Price Group 3	Price Group 4
18" Depth					
BFH9(L/R)-18	9	\$1,041.00	\$1,172.00	\$1,497.00	\$1,960.00
BFH12(L/R)-18	12	\$1,182.00	\$1,330.00	\$1,698.00	\$2,224.00
BFH15(L/R)-18	15	\$1,311.00	\$1,476.00	\$1,884.00	\$2,467.00
BFH18(L/R)-18	18	\$1,438.00	\$1,618.00	\$2,067.00	\$2,705.00
BFH21(L/R)-18	21	\$1,539.00	\$1,732.00	\$2,211.00	\$2,896.00
24" Depth					
BFH9(L/R)	9	\$1,384.00	\$1,551.00	\$1,994.00	\$2,610.00
BFH12(L/R)	12	\$1,565.00	\$1,763.00	\$2,262.00	\$2,961.00
BFH15(L/R)	15	\$1,732.00	\$1,959.00	\$2,510.00	\$3,286.00
BFH18(L/R)	18	\$1,899.00	\$2,155.00	\$2,753.00	\$3,605.00
BFH21(L/R)	21	\$2,028.00	\$2,306.00	\$2,946.00	\$3,857.00
27" Depth					
BFH9(L/R)-27	9	\$1,560.00	\$1,756.00	\$2,243.00	\$2,936.00
BFH12(L/R)-27	12	\$1,771.00	\$1,993.00	\$2,546.00	\$3,334.00
BFH15(L/R)-27	15	\$1,965.00	\$2,212.00	\$2,825.00	\$3,698.00
BFH18(L/R)-27	18	\$2,155.00	\$2,425.00	\$3,097.00	\$4,056.00
BFH21(L/R)-27	21	\$2,305.00	\$2,595.00	\$3,313.00	\$4,339.00

Base Cabinet with Full Height Center Closing Doors



- 3/4" thick finished end panels are available.
- Comes with (2) Shelves
- 18", 24" or 27" Depth is to cabinet face without the door. The door plus the spacer will add about 7/8" to the overall depth.

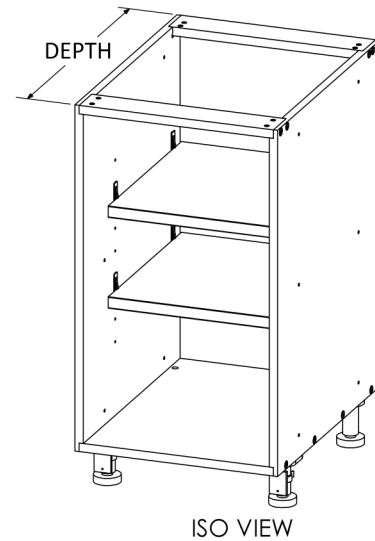
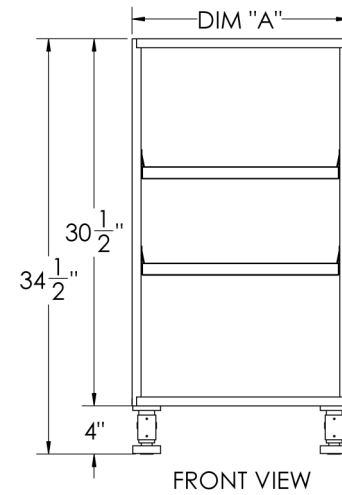
Model Shown: BFH24B

BFH 24 B
Base Cabinet Width Center Closing

Model #	Dim "A"	Price Group 1	Price Group 2	Price Group 3	Price Group 4
18" Depth					
BFH24B-18	24	\$1,754.00	\$1,975.00	\$2,522.00	\$3,301.00
BFH27B-18	27	\$1,878.00	\$2,113.00	\$2,699.00	\$3,534.00
BFH30B-18	30	\$2,002.00	\$2,254.00	\$2,878.00	\$3,768.00
BFH33B-18	33	\$2,125.00	\$2,391.00	\$3,054.00	\$3,999.00
BFH36B-18	36	\$2,254.00	\$2,537.00	\$3,240.00	\$4,242.00
24" Depth					
BFH24B	24	\$2,293.00	\$2,596.00	\$3,360.00	\$4,400.00
BFH27B	27	\$2,454.00	\$2,785.00	\$3,598.00	\$4,711.00
BFH30B	30	\$2,616.00	\$2,974.00	\$3,835.00	\$5,021.00
BFH33B	33	\$2,776.00	\$3,162.00	\$4,072.00	\$5,332.00
BFH36B	36	\$2,940.00	\$3,355.00	\$4,317.00	\$5,653.00
27" Depth					
BFH24B-27	24	\$2,583.00	\$2,935.00	\$3,782.00	\$4,951.00
BFH27B-27	27	\$2,765.00	\$3,142.00	\$4,048.00	\$5,300.00
BFH30B-27	30	\$2,946.00	\$3,349.00	\$4,315.00	\$5,649.00
BFH33B-27	33	\$3,128.00	\$3,555.00	\$4,580.00	\$5,998.00
BFH36B-27	36	\$3,318.00	\$3,770.00	\$4,858.00	\$6,361.00

Open Shelf Base Cabinet (No Doors)

Model #	Dim "A"	Price Group 1	Price Group 2	Price Group 3	Price Group 4
18" Depth					
BO12-18	12	\$981.00	\$1,113.00	N/A	N/A
BO15-18	15	\$1,085.00	\$1,229.00	N/A	N/A
BO18-18	18	\$1,189.00	\$1,345.00	N/A	N/A
BO21-18	21	\$1,262.00	\$1,428.00	N/A	N/A
BO24-18	24	\$1,360.00	\$1,539.00	N/A	N/A
BO27-18	27	\$1,461.00	\$1,651.00	N/A	N/A
BO30-18	30	\$1,557.00	\$1,762.00	N/A	N/A
BO33-18	33	\$1,715.00	\$1,886.00	N/A	N/A
BO36-18	36	\$1,869.00	\$2,018.00	N/A	N/A
24" Depth					
BO12	12	\$1,309.00	\$1,483.00	N/A	N/A
BO15	15	\$1,441.00	\$1,638.00	N/A	N/A
BO18	18	\$1,575.00	\$1,793.00	N/A	N/A
BO21	21	\$1,671.00	\$1,904.00	N/A	N/A
BO24	24	\$1,798.00	\$2,052.00	N/A	N/A
BO27	27	\$1,926.00	\$2,201.00	N/A	N/A
BO30	30	\$2,052.00	\$2,349.00	N/A	N/A
BO33	33	\$2,285.00	\$2,513.00	N/A	N/A
BO36	36	\$2,492.00	\$2,689.00	N/A	N/A
27" Depth					
BO12-27	12	\$1,471.00	\$1,669.00	N/A	N/A
BO15-27	15	\$1,625.00	\$1,843.00	N/A	N/A
BO18-27	18	\$1,780.00	\$2,018.00	N/A	N/A
BO21-27	21	\$1,891.00	\$2,142.00	N/A	N/A
BO24-27	24	\$2,039.00	\$2,309.00	N/A	N/A
BO27-27	27	\$2,188.00	\$2,477.00	N/A	N/A
BO30-27	30	\$2,336.00	\$2,643.00	N/A	N/A
BO33-27	33	\$2,570.00	\$2,828.00	N/A	N/A
BO36-27	36	\$2,802.00	\$3,026.00	N/A	N/A



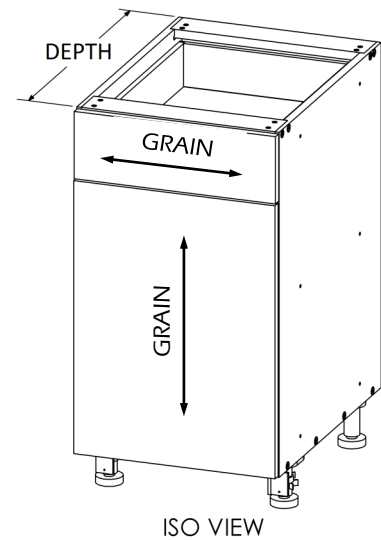
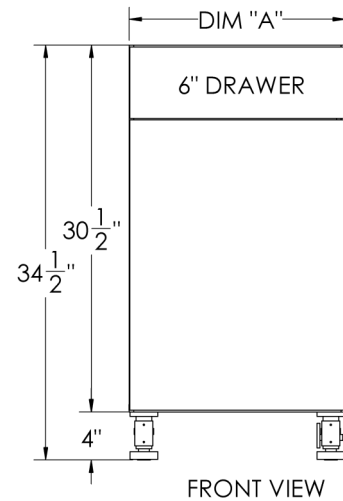
Model Shown: BO18

BO 18
Open Base Width

- 3/4" thick finished end panels are available.
- Comes with (2) Shelves
- 18", 24" or 27" Depth is to cabinet face.
- Not available in HDPE Woodgrain Finish or Natural Wood.

Base Cabinet with One Drawer and One Door (L or R)

Model #	Dim "A"	Price Group 1	Price Group 2	Price Group 3	Price Group 4
18" Depth with (1) Shelf					
B12(L/R)-18	12	\$1,417.00	\$1,538.00	\$1,965.00	\$2,573.00
B15(L/R)-18	15	\$1,537.00	\$1,668.00	\$2,131.00	\$2,790.00
B18(L/R)-18	18	\$1,665.00	\$1,807.00	\$2,309.00	\$3,022.00
B21(L/R)-18	21	\$1,796.00	\$1,951.00	\$2,491.00	\$3,261.00
18" Depth with (2) Pullouts					
B12(L/R)-PU-18	12	\$1,940.00	\$2,034.00	\$2,598.00	\$3,401.00
B15(L/R)-PU-18	15	\$2,084.00	\$2,186.00	\$2,792.00	\$3,655.00
B18(L/R)-PU-18	18	\$2,229.00	\$2,337.00	\$2,984.00	\$3,908.00
B21(L/R)-PU-18	21	\$2,373.00	\$2,489.00	\$3,178.00	\$4,162.00
24" Depth with (1) Shelf					
B12(L/R)	12	\$1,880.00	\$2,052.00	\$2,621.00	\$3,436.00
B15(L/R)	15	\$2,034.00	\$2,226.00	\$2,840.00	\$3,718.00
B18(L/R)	18	\$2,199.00	\$2,414.00	\$3,077.00	\$4,028.00
B21(L/R)	21	\$2,366.00	\$2,606.00	\$3,319.00	\$4,345.00
24" Depth with (2) Pullouts					
B12(L/R)-PU	12	\$2,592.00	\$2,723.00	\$3,459.00	\$4,529.00
B15(L/R)-PU	15	\$2,779.00	\$2,928.00	\$3,719.00	\$4,869.00
B18(L/R)-PU	18	\$2,967.00	\$3,133.00	\$3,976.00	\$5,207.00
B21(L/R)-PU	21	\$3,154.00	\$3,337.00	\$4,235.00	\$5,545.00
27" Depth with (1) Shelf					
B12(L/R)-27	12	\$2,125.00	\$2,307.00	\$2,946.00	\$3,857.00
B15(L/R)-27	15	\$2,304.00	\$2,502.00	\$3,195.00	\$4,182.00
B18(L/R)-27	18	\$2,497.00	\$2,711.00	\$3,462.00	\$4,533.00
B21(L/R)-27	21	\$2,694.00	\$2,925.00	\$3,735.00	\$4,890.00
27" Depth with (2) Pullouts					
B12(L/R)-PU-27	12	\$2,907.00	\$3,076.00	\$3,894.00	\$5,097.00
B15(L/R)-PU-27	15	\$3,124.00	\$3,304.00	\$4,184.00	\$5,478.00
B18(L/R)-PU-27	18	\$3,343.00	\$3,537.00	\$4,477.00	\$5,862.00
B21(L/R)-PU-27	21	\$3,558.00	\$3,763.00	\$4,765.00	\$6,239.00



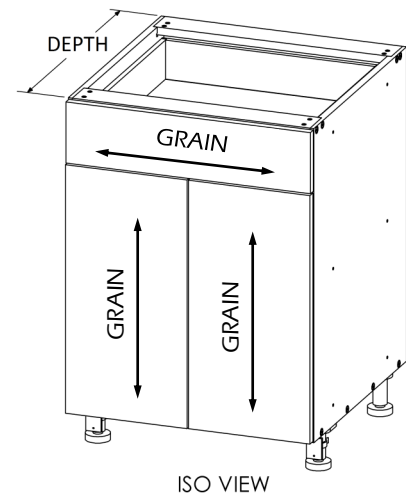
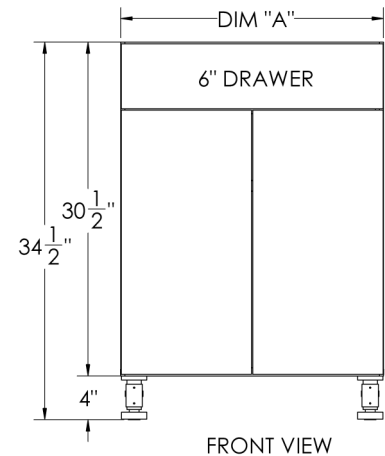
Model Shown: B18L

B 18 L
Base Cabinet Width Left Hinge

- Comes with either (1) Shelf or (2) Pullouts
- On all single door cabinets specify left or right hinge.
- 3/4" thick finished end panels are available.
- 18", 24" or 27" Depth is to cabinet face without the door. The door plus the spacer will add about 7/8" to the overall depth.
- 18" cabinet depth is the smallest available depth when utilizing a drawer or pullout.
- 6" Drawer available in "Simple" Style only.

Base Cabinet with One Drawer and Center Closing Doors

Model #	Dim "A"	Price Group 1	Price Group 2	Price Group 3	Price Group 4
18" Depth with (1) Shelf					
B24B-18	24	\$2,038.00	\$2,173.00	\$2,800.00	\$3,667.00
B27B-18	27	\$2,168.00	\$2,312.00	\$2,980.00	\$3,902.00
B30B-18	30	\$2,296.00	\$2,449.00	\$3,156.00	\$4,132.00
18" Depth with (2) Pullouts					
B24B-PU-18	24	\$2,596.00	\$2,746.00	\$3,506.00	\$4,591.00
B27B-PU-18	27	\$2,739.00	\$2,897.00	\$3,700.00	\$4,844.00
B30B-PU-18	30	\$2,882.00	\$3,049.00	\$3,894.00	\$5,097.00
24" Depth with (1) Shelf					
B24B	24	\$2,636.00	\$2,896.00	\$3,733.00	\$4,888.00
B27B	27	\$2,802.00	\$3,085.00	\$3,971.00	\$5,199.00
B30B	30	\$2,968.00	\$3,273.00	\$4,207.00	\$5,510.00
24" Depth with (2) Pullouts					
B24B-PU	24	\$3,447.00	\$3,644.00	\$4,672.00	\$6,118.00
B27B-PU	27	\$3,634.00	\$3,849.00	\$4,931.00	\$6,456.00
B30B-PU	30	\$3,822.00	\$4,053.00	\$5,188.00	\$6,794.00
27" Depth with (1) Shelf					
B24B-27	24	\$2,977.00	\$3,261.00	\$4,202.00	\$5,501.00
B27B-27	27	\$3,165.00	\$3,467.00	\$4,467.00	\$5,849.00
B30B-27	30	\$3,354.00	\$3,674.00	\$4,734.00	\$6,198.00
27" Depth with (2) Pullouts					
B24B-PU-27	24	\$3,892.00	\$4,116.00	\$5,257.00	\$6,883.00
B27B-PU-27	27	\$4,107.00	\$4,344.00	\$5,547.00	\$7,264.00
B30B-PU-27	30	\$4,323.00	\$4,572.00	\$5,839.00	\$7,646.00



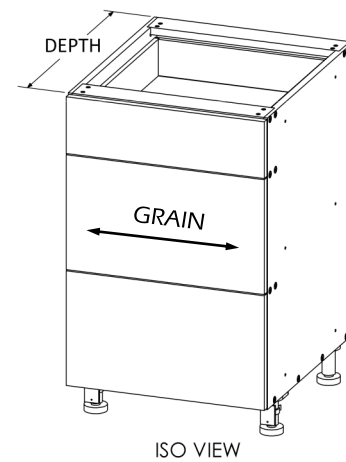
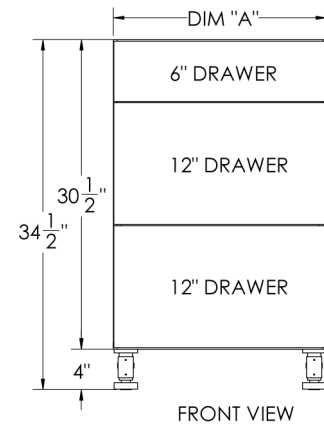
Model Shown: B24B

$\frac{B}{24}$ Base Cabinet $\frac{24}{24}$ Width $\frac{B}{B}$ Ctr Closing

- Comes with either (1) Shelf or (2) Pullouts
- 3/4" thick finished end panels are available.
- 18", 24" or 27" Depth is to cabinet face without the door. The door plus the spacer will add about 7/8" to the overall depth.
- 18" cabinet depth is the smallest available depth when utilizing a drawer or pullout.
- 6" Drawer available in "Simple" Style only.

Drawer Base Cabinet with Three Drawers

Model #	Dim "A"	Price Group 1	Price Group 2	Price Group 3	Price Group 4
18" Depth					
DB12-3-18	12	\$1,893.00	\$1,986.00	\$2,492.00	\$3,263.00
DB15-3-18	15	\$2,050.00	\$2,150.00	\$2,699.00	\$3,534.00
DB18-3-18	18	\$2,208.00	\$2,316.00	\$2,907.00	\$3,806.00
DB21-3-18	21	\$2,364.00	\$2,479.00	\$3,112.00	\$4,075.00
DB24-3-18	24	\$2,523.00	\$2,646.00	\$3,322.00	\$4,349.00
DB27-3-18	27	\$2,679.00	\$2,810.00	\$3,526.00	\$4,618.00
DB30-3-18	30	\$2,837.00	\$2,976.00	\$3,735.00	\$4,890.00
24" Depth					
DB12-3	12	\$2,531.00	\$2,654.00	\$3,322.00	\$4,349.00
DB15-3	15	\$2,733.00	\$2,872.00	\$3,598.00	\$4,711.00
DB18-3	18	\$2,936.00	\$3,091.00	\$3,873.00	\$5,072.00
DB21-3	21	\$3,139.00	\$3,310.00	\$4,150.00	\$5,433.00
DB24-3	24	\$3,342.00	\$3,529.00	\$4,426.00	\$5,795.00
DB27-3	27	\$3,545.00	\$3,748.00	\$4,701.00	\$6,156.00
DB30-3	30	\$3,747.00	\$3,967.00	\$4,979.00	\$6,519.00
27" Depth					
DB12-3-27	12	\$2,839.00	\$2,978.00	\$3,738.00	\$4,895.00
DB15-3-27	15	\$3,075.00	\$3,225.00	\$4,048.00	\$5,300.00
DB18-3-27	18	\$3,310.00	\$3,472.00	\$4,357.00	\$5,706.00
DB21-3-27	21	\$3,545.00	\$3,719.00	\$4,668.00	\$6,111.00
DB24-3-27	24	\$3,783.00	\$3,969.00	\$4,981.00	\$6,521.00
DB27-3-27	27	\$4,018.00	\$4,215.00	\$5,290.00	\$6,928.00
DB30-3-27	30	\$4,254.00	\$4,462.00	\$5,600.00	\$7,333.00

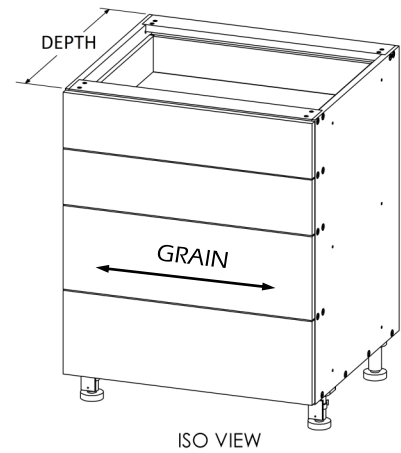
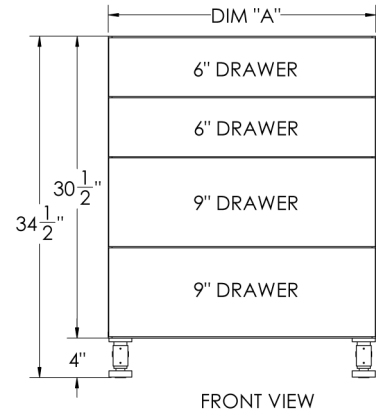


Model Shown: DB21-3
 DB 21 3
 Drawer Base Width 3 Drawers

- 3/4" thick finished end panels are available.
- 18", 24" or 27" Depth is to cabinet face. The drawer will add about 7/8" to the overall depth.
- 18" cabinet depth is the smallest available depth when utilizing a drawer or pullout.
- 6" Drawer available in "Simple" Style only.

Drawer Base Cabinet with Four Drawers

Model #	Dim "A"	Price Group 1	Price Group 2	Price Group 3	Price Group 4
18" Depth					
DB12-4-18	12	\$2,092.00	\$2,194.00	\$2,753.00	\$3,605.00
DB15-4-18	15	\$2,261.00	\$2,372.00	\$2,976.00	\$3,897.00
DB18-4-18	18	\$2,430.00	\$2,549.00	\$3,199.00	\$4,188.00
DB21-4-18	21	\$2,600.00	\$2,728.00	\$3,423.00	\$4,483.00
DB24-4-18	24	\$2,769.00	\$2,905.00	\$3,646.00	\$4,774.00
DB27-4-18	27	\$2,939.00	\$3,083.00	\$3,869.00	\$5,066.00
DB30-4-18	30	\$3,108.00	\$3,260.00	\$4,092.00	\$5,357.00
24" Depth					
DB12-4	12	\$2,824.00	\$2,940.00	\$3,671.00	\$4,806.00
DB15-4	15	\$3,042.00	\$3,175.00	\$3,968.00	\$5,194.00
DB18-4	18	\$3,261.00	\$3,411.00	\$4,264.00	\$5,584.00
DB21-4	21	\$3,481.00	\$3,647.00	\$4,561.00	\$5,972.00
DB24-4	24	\$3,700.00	\$3,882.00	\$4,860.00	\$6,363.00
DB27-4	27	\$3,920.00	\$4,118.00	\$5,155.00	\$6,750.00
DB30-4	30	\$4,139.00	\$4,354.00	\$5,454.00	\$7,141.00
27" Depth					
DB12-4-27	12	\$3,190.00	\$3,409.00	\$4,130.00	\$5,408.00
DB15-4-27	15	\$3,448.00	\$3,557.00	\$4,465.00	\$5,846.00
DB18-4-27	18	\$3,705.00	\$3,822.00	\$4,796.00	\$6,280.00
DB21-4-27	21	\$3,965.00	\$4,091.00	\$5,133.00	\$6,722.00
DB24-4-27	24	\$4,223.00	\$4,356.00	\$5,468.00	\$7,160.00
DB27-4-27	27	\$4,480.00	\$4,622.00	\$5,800.00	\$7,595.00
DB30-4-27	30	\$4,739.00	\$4,889.00	\$6,136.00	\$8,034.00



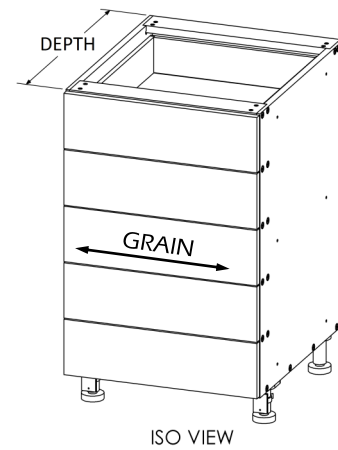
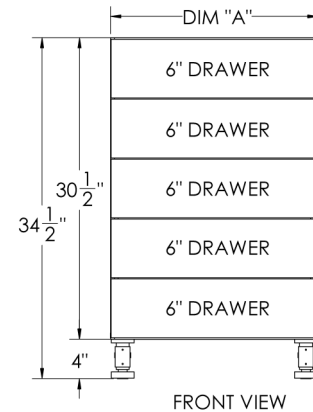
Model Shown: DB27-4

DB 27 4
 Drawer Base Width 4 Drawers

- 3/4" thick finished end panels are available.
- 18", 24" or 27" Depth is to cabinet face. The drawer will add about 7/8" to the overall depth.
- 18" cabinet depth is the smallest available depth when utilizing a drawer or pullout.
- 6" Drawers available in "Simple" Style only.

Drawer Base Cabinet with Five Drawers

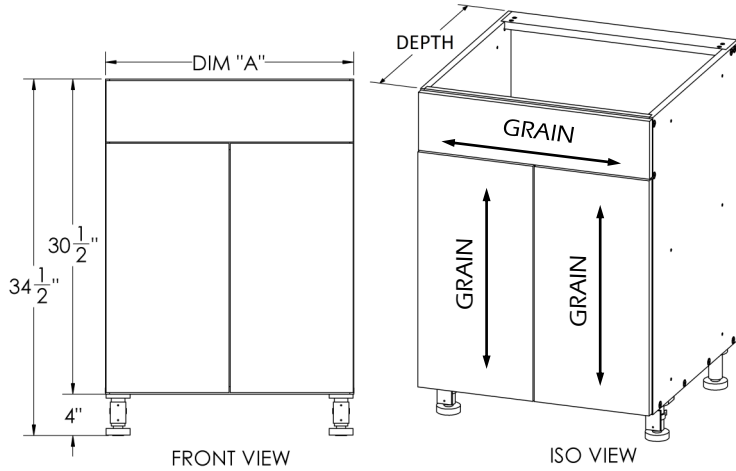
Model #	Dim "A"	Price Group 1	Price Group 2	Price Group 3	Price Group 4
18" Depth					
DB12-5-18	12	\$2,291.00	\$2,363.00	\$2,967.00	\$3,885.00
DB15-5-18	15	\$2,477.00	\$2,556.00	\$3,207.00	\$4,199.00
DB18-5-18	18	\$2,663.00	\$2,747.00	\$3,448.00	\$4,514.00
DB21-5-18	21	\$2,847.00	\$2,938.00	\$3,686.00	\$4,827.00
DB24-5-18	24	\$3,012.00	\$3,107.00	\$3,899.00	\$5,105.00
DB27-5-18	27	\$3,192.00	\$3,294.00	\$4,133.00	\$5,413.00
DB30-5-18	30	\$3,399.00	\$3,507.00	\$4,401.00	\$5,764.00
24" Depth					
DB12-5	12	\$3,055.00	\$3,152.00	\$3,956.00	\$5,179.00
DB15-5	15	\$3,302.00	\$3,406.00	\$4,276.00	\$5,598.00
DB18-5	18	\$3,547.00	\$3,660.00	\$4,594.00	\$6,014.00
DB21-5	21	\$3,794.00	\$3,914.00	\$4,913.00	\$6,432.00
DB24-5	24	\$4,015.00	\$4,142.00	\$5,198.00	\$6,807.00
DB27-5	27	\$4,254.00	\$4,389.00	\$5,509.00	\$7,212.00
DB30-5	30	\$4,532.00	\$4,675.00	\$5,868.00	\$7,684.00
27" Depth					
DB12-5-27	12	\$3,437.00	\$3,545.00	\$4,450.00	\$5,827.00
DB15-5-27	15	\$3,716.00	\$3,833.00	\$4,811.00	\$6,300.00
DB18-5-27	18	\$3,991.00	\$4,117.00	\$5,168.00	\$6,766.00
DB21-5-27	21	\$4,269.00	\$4,404.00	\$5,528.00	\$7,238.00
DB24-5-27	24	\$4,518.00	\$4,661.00	\$5,850.00	\$7,661.00
DB27-5-27	27	\$4,788.00	\$4,939.00	\$6,199.00	\$8,116.00
DB30-5-27	30	\$5,099.00	\$5,260.00	\$6,603.00	\$8,645.00



Model Shown: DB21-5
 DB 21 5
 Drawer Base Width 5 Drawers

- 3/4" thick finished end panels are available.
- 18", 24" or 27" Depth is to cabinet face. The drawer will add about 7/8" to the overall depth.
- 18" cabinet depth is the smallest available depth when utilizing a drawer or pullout.
- 6" Drawers available in "Simple" Style only.

Sink Cabinet



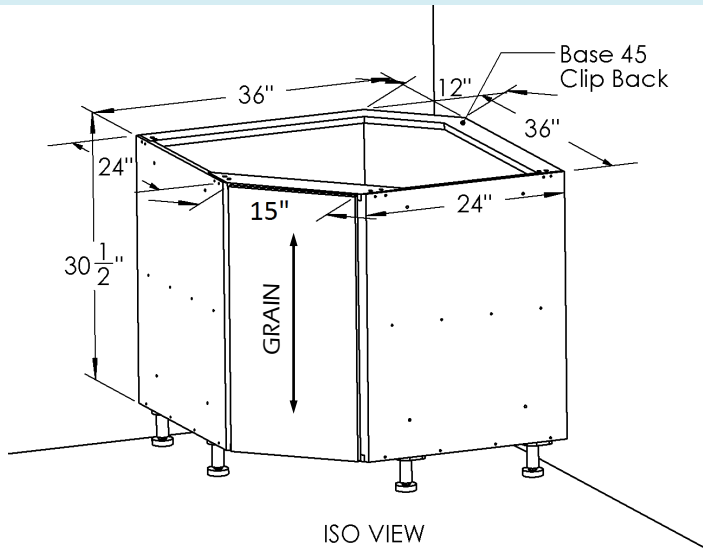
- 3/4" thick finished end panels are available.
- 24" or 27" Depth is to cabinet face. The door will add about 7/8" to the overall depth.
- 6" Sink Apron available in "Simple" Style only.

Model Shown: SB24B

SB 24 B
Sink Base Width Center Closing

Model #	Dim "A"	Price Group 1	Price Group 2	Price Group 3	Price Group 4
24" Depth					
SB18(L/R)	18	\$1,576.00	\$1,778.00	\$2,294.00	\$3,004.00
SB21(L/R)	21	\$1,692.00	\$1,911.00	\$2,462.00	\$3,223.00
SB24B	24	\$1,908.00	\$2,144.00	\$2,805.00	\$3,674.00
SB27B	27	\$2,023.00	\$2,278.00	\$2,972.00	\$3,891.00
SB30B	30	\$2,138.00	\$2,411.00	\$3,141.00	\$4,113.00
SB33B	33	\$2,252.00	\$2,545.00	\$3,312.00	\$4,337.00
SB36B	36	\$2,366.00	\$2,679.00	\$3,481.00	\$4,559.00
27" Depth					
SB18(L/R)-27	18	\$1,780.00	\$2,005.00	\$2,583.00	\$3,382.00
SB21(L/R)-27	21	\$1,908.00	\$2,149.00	\$2,768.00	\$3,625.00
SB24B-27	24	\$2,175.00	\$2,449.00	\$3,156.00	\$4,132.00
SB27B-27	27	\$2,307.00	\$2,597.00	\$3,346.00	\$4,381.00
SB30B-27	30	\$2,437.00	\$2,744.00	\$3,535.00	\$4,628.00
SB33B-27	33	\$2,568.00	\$2,891.00	\$3,726.00	\$4,878.00
SB36B-27	36	\$2,700.00	\$3,040.00	\$3,917.00	\$5,129.00

Corner Base Cabinets



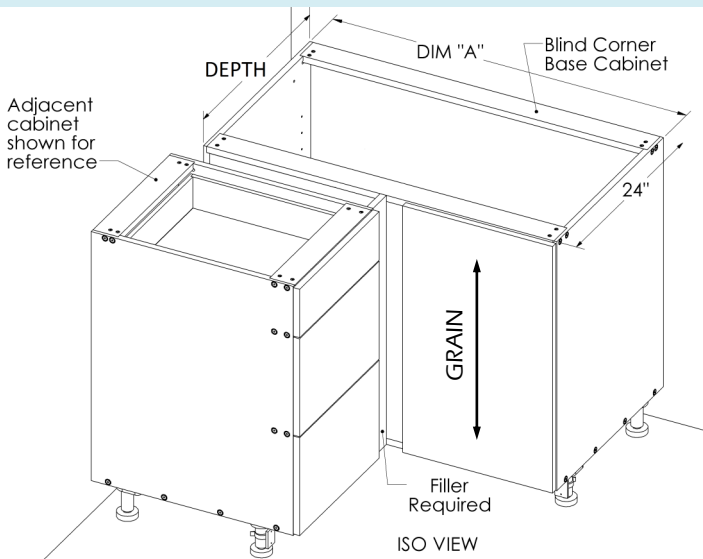
- On all single door cabinets specify left or right hinge.
- Comes with (1) Fixed Center Shelf.
- 24" Depth is to cabinet face.

Model Shown: BCC36-CB-L

BCC 36 CB L
Base Corner Width Clip Back Left Hinge

Model #	Width	Price Group 1	Price Group 2	Price Group 3	Price Group 4
24" Depth					
BCC36-CB-(L/R)	36	\$3,822.00	\$4,404.00	\$5,538.00	\$7,251.00

Blind Corner Base Cabinet



- Specify Blind side Left or Right.
- Door Hinge is always on the same side as the Blind side panel.
- 24" or 27" Depth is to cabinet face. The door will add about 7/8" to the overall depth.
- Comes with (1) Shelf.
- Drawing layout with dimensions must be included with order form in order to correctly build the Blind Corner Cabinet.
- Distance the Blind Corner Cabinet is pulled away from side wall is required.

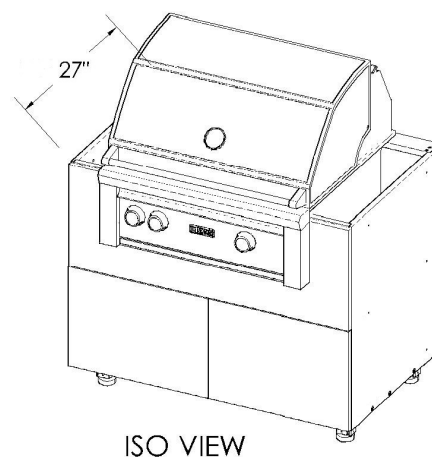
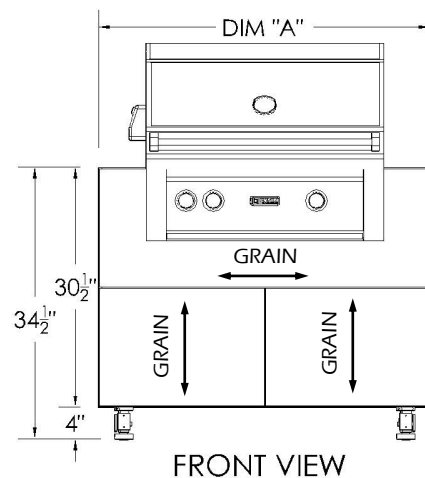
Model Shown: BBC42L

BBC 36 L
Blind Base Corner Width Blind

Model #	Dim "A"	Price Group 1	Price Group 2	Price Group 3	Price Group 4
24" Depth					
BBC36(L/R)	36	\$2,603.00	\$2,916.00	\$3,784.00	\$4,954.00
BBC39(L/R)	39	\$2,688.00	\$3,018.00	\$3,909.00	\$5,118.00
27" Depth					
BBC36(L/R)-27	36	\$2,936.00	\$3,276.00	\$4,260.00	\$5,577.00
BBC39(L/R)-27	39	\$3,033.00	\$3,385.00	\$4,400.00	\$5,761.00

Grill Burner and Side Burner Base Cabinet

Model #	Door	Dim "A"	Price Group 1	Price Group 2	Price Group 3	Price Group 4
Side Burner Base Cabinet						
BSB15-27(L/R)	1	15	\$1,912.00	\$2,101.00	\$2,500.00	\$3,274.00
BSB18-27(L/R)	1	18	\$2,046.00	\$2,256.00	\$2,690.00	\$3,521.00
BSB21-27(L/R)	1	21	\$2,181.00	\$2,411.00	\$2,874.00	\$3,764.00
BSB24B-27	2	24	\$2,417.00	\$2,664.00	\$3,235.00	\$4,236.00
Grill Burner Base Cabinet						
GB27-27	2	27	\$2,618.00	\$2,891.00	\$3,511.00	\$4,596.00
GB30-27	2	30	\$2,756.00	\$3,050.00	\$3,704.00	\$4,850.00
GB33-27	2	33	\$2,898.00	\$3,212.00	\$3,895.00	\$5,099.00
GB36-27	2	36	\$3,036.00	\$3,371.00	\$4,090.00	\$5,355.00
GB39-27	2	39	\$3,174.00	\$3,530.00	\$4,280.00	\$5,604.00
GB42-27	2	42	\$3,312.00	\$3,688.00	\$4,473.00	\$5,856.00
GB45-27	2	45	\$3,450.00	\$3,847.00	\$4,666.00	\$6,109.00
GB48-27	4	48	\$4,203.00	\$4,680.00	\$5,613.00	\$7,350.00
GB51-27	4	51	\$4,351.00	\$4,851.00	\$5,821.00	\$7,622.00
GB54-27	4	54	\$4,500.00	\$5,022.00	\$6,028.00	\$7,893.00
GB57-27	4	57	\$4,648.00	\$5,193.00	\$6,236.00	\$8,166.00
GB60-27	4	60	\$4,796.00	\$5,364.00	\$6,444.00	\$8,437.00
GB63-27	4	63	\$4,944.00	\$5,535.00	\$6,652.00	\$8,710.00



Model Shown: GB42-27

GB
Grill Base
42
Width
27
Depth

- On all single door cabinets specify left or right hinge.
- 3/4" thick finished end panels are available.
- 27" Depth is to cabinet face without the door. The door plus the spacer will add about 7/8" to the overall depth.
- Grill Cabinet is determined from the Insulated Liner specifications, not the size of the grill.

Grill and Side Burner:

The following two pieces of information will be required in order to produce your Grill or Side Burner cabinet.

1. Provide the exact thickness of the countertop (Ex. 1.25" Granite, 2" thick concrete or tile, etc.). Natural Granite thickness can vary, so it is recommended to supply us with the actual measured thickness of the granite.
2. Provide the manufacturer and model numbers of the grill and the required insulating liner.

We will cut the front apron of the cabinet to accommodate the grill you are using. In order to select the proper cabinet size, you should add 4" to the overall width of the insulating liner, and then select the next closest size cabinet. For example:

A grill model calls out an overall 37-5/8" wide insulating jacket.

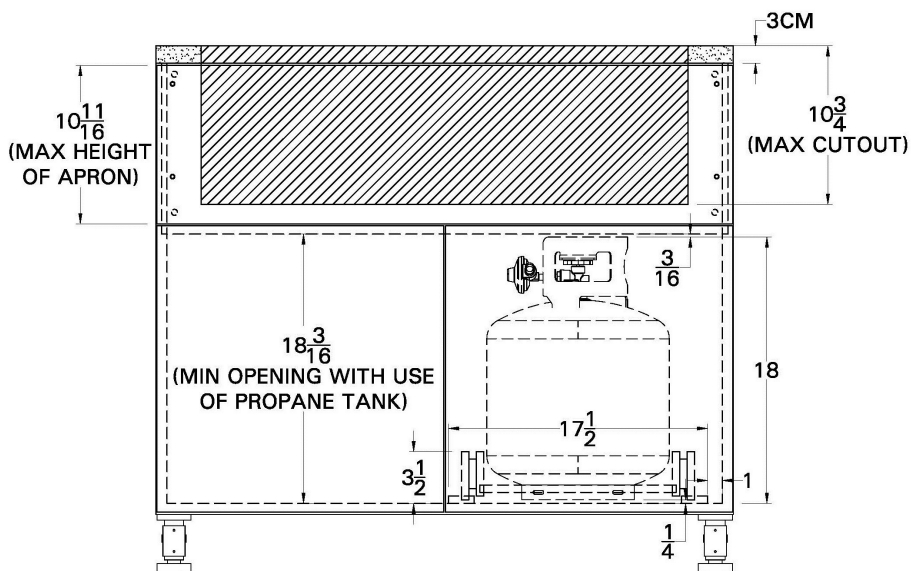
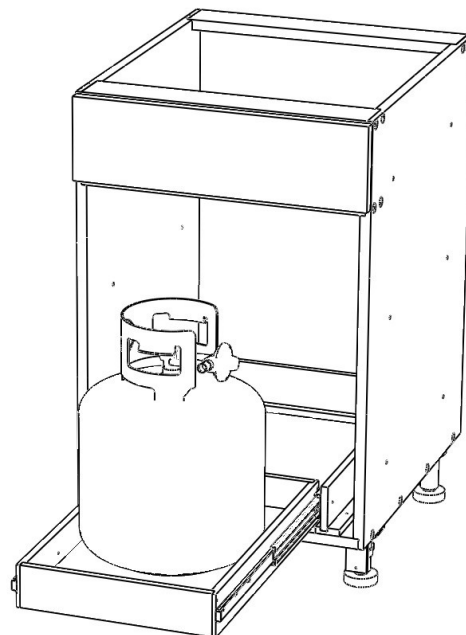
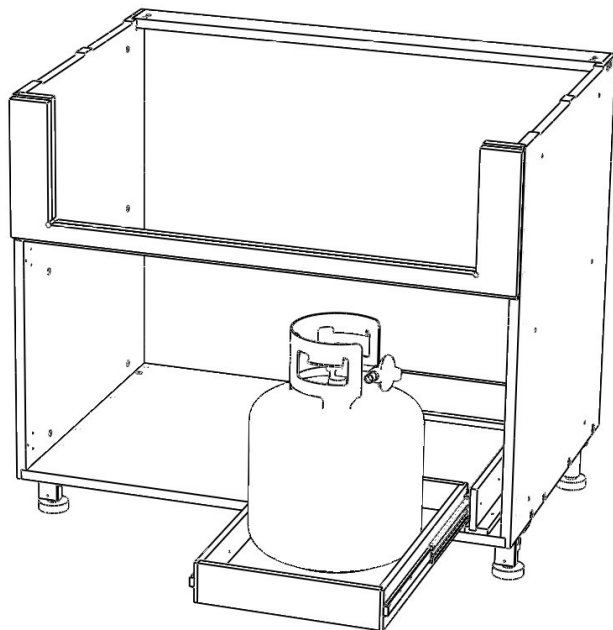
Add 4" which will allow 2" of room on either side of the liner.

Choose a 42" wide grill cabinet, which is the next largest size greater than 41-5/8".

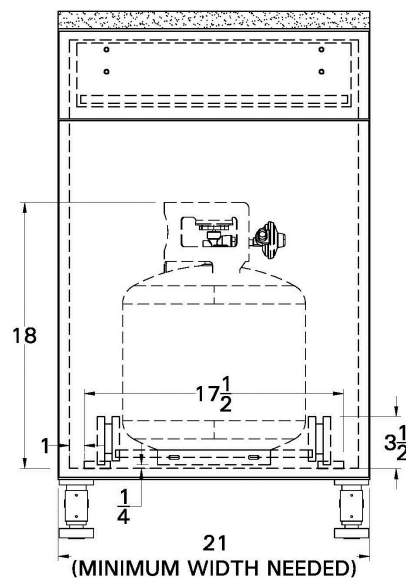
$$\begin{array}{r}
 37\text{-}5/8 \\
 + \quad 4 \\
 \hline
 41\text{-}5/8
 \end{array}$$

CAUTION: It is a requirement that you use a grill that comes with a factory-manufactured insulating liner. Most premium grills are available with insulating liners. Most side burners do not require an insulated liner. Check the manufacturers requirements for installation in combustible cabinetry.

20 LB Propane Tank Pullout Shelf



ELEVATION A
SHOWN INSIDE A GRILL CABINET



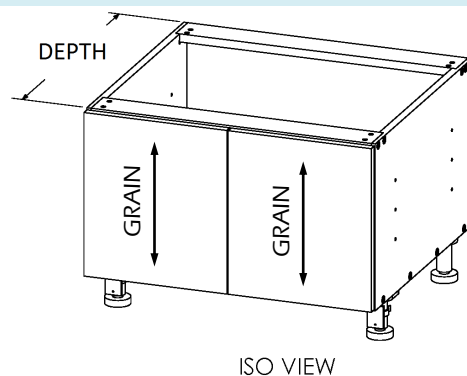
ELEVATION B
SHOWN INSIDE A 21" WIDE
BASE CABINET

Model #	Width	Depth	Height	Price Group 1	Price Group 2	Price Group 3	Price Group 4
PT-PU	17.5	22.75	3.5	\$776.00	N/A	N/A	N/A

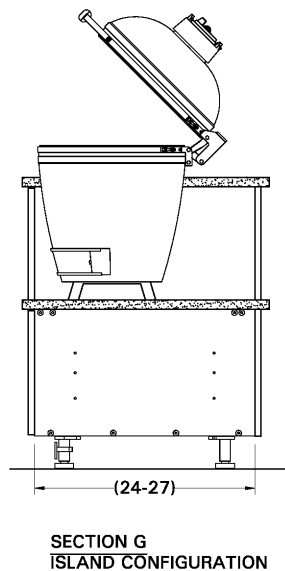
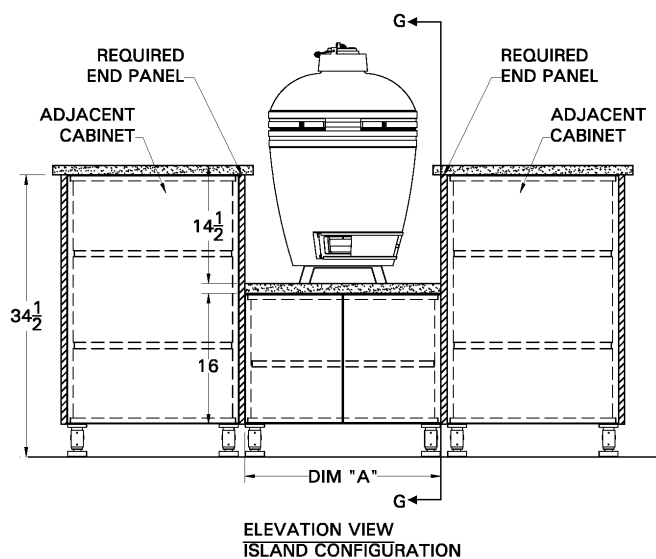
- Made of 1/2" Thick White Solid High Density Polyethylene (HDPE)
- Includes pullout shelf assembly, Stainless Steel Drawer Slides and mounting screws (20 Lb Propane Tank not included).
- Can be installed inside a Cabinet that has a minimum inside depth of 22 3/4" (24" or 27" deep cabinet).
- Can be used inside a Grill Cabinet or an adjacent Base Cabinet (See Elevations for minimum clearances).
- Cabinet should be ordered separately.

Kamado Grill Base Cabinet

Model #	Dim "A"	Price Group 1	Price Group 2	Price Group 3	Price Group 4
24" Depth					
KGB24B	24	\$1,229.00	\$1,383.00	\$1,767.00	\$2,313.00
KGB27B	27	\$1,380.00	\$1,554.00	\$1,984.00	\$2,597.00
27" Depth					
KGB24B-27	24	\$1,380.00	\$1,554.00	\$1,984.00	\$2,597.00
KGB27B-27	27	\$1,553.00	\$1,748.00	\$2,233.00	\$2,924.00

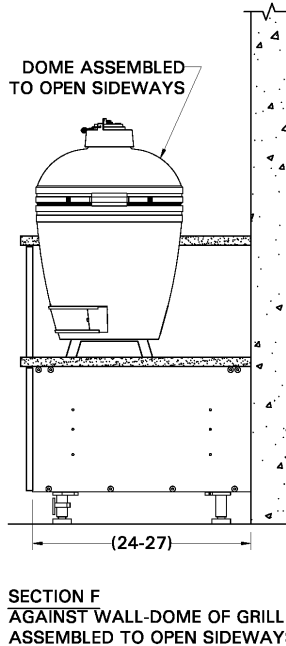
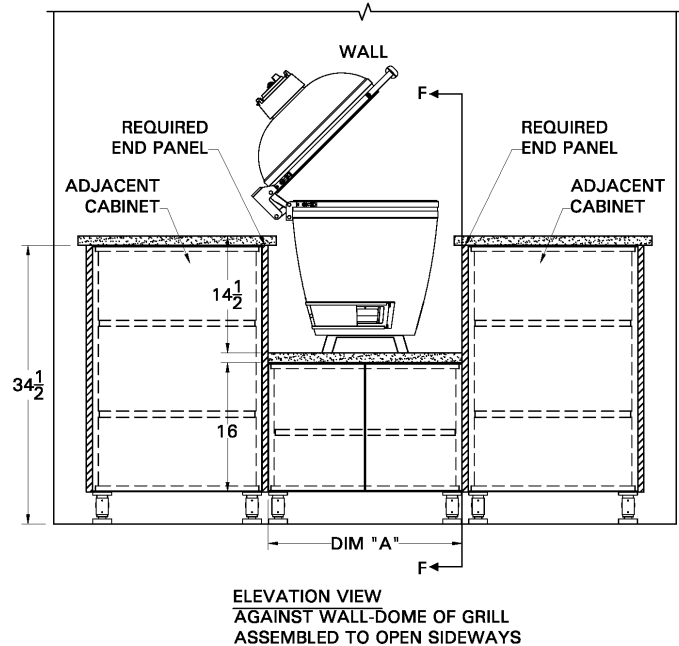


- Comes with (1) Adjustable Shelf.
- 24" or 27" Depth is to cabinet face without the door. The door plus the spacer will add about 7/8" to the overall depth.
- Kamado Grill supplied by others.
- Adjacent Cabinets and End Panels shown should be ordered separately



Island Configuration

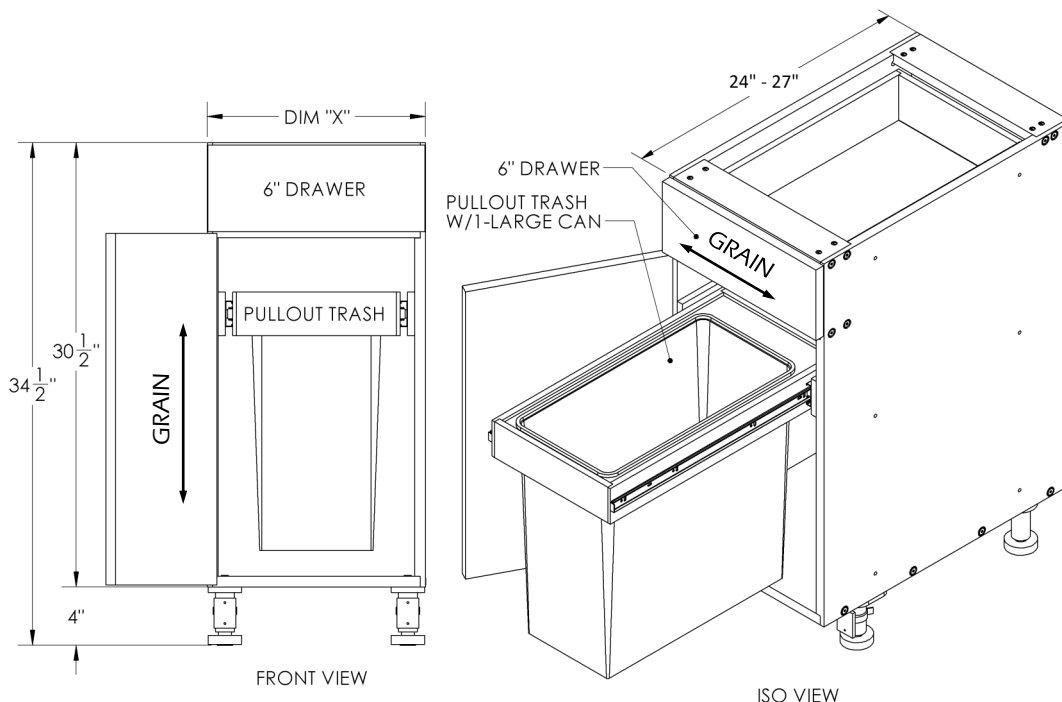
- Dome of Kamado Grill should be installed so it opens Front to Back while the lower vent opening is in the front.



Against the Wall Configuration

- Dome of Kamado Grill should be installed so it opens Sideways while the lower vent opening is in the front.

Hinged Door Trash Cabinet with One Large Can and Top Drawer

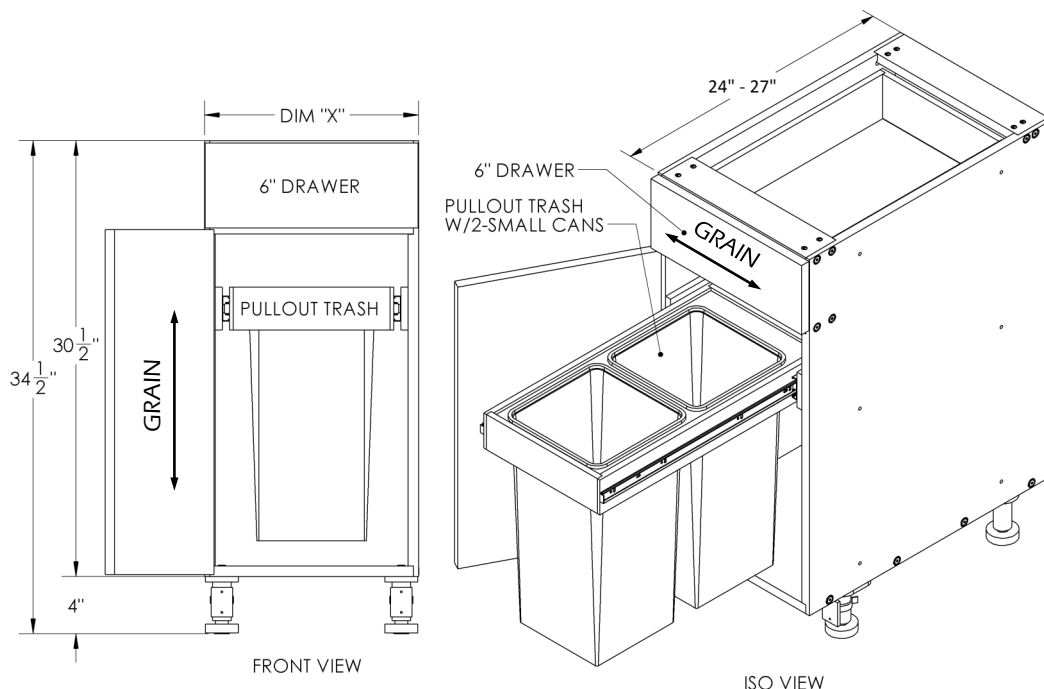


Model Shown: BWC15-1L
 BWC 15 1L
 Pullout Trash Width 1 Can, Left Hinge

- On all single door cabinets specify left or right hinge.
- 3/4" thick finished end panels are available.
- 24" or 27" Depth is to cabinet face. The drawer will add about 7/8" to the overall depth.
- Large 37 Qt. Trash Can dimensions are 9.875" wide x 18.875" deep x 18" high.
- 24" cabinet depth is the smallest available depth when utilizing a pullout trash.
- 6" Drawer available in "Simple" Style only.

Model #	Dim "A"	Price Group 1	Price Group 2	Price Group 3	Price Group 4
24" Depth					
BWC15-1(L/R)	15	\$2,516.00	\$2,674.00	\$3,390.00	\$4,438.00
BWC18-1(L/R)	18	\$2,683.00	\$2,859.00	\$3,621.00	\$4,743.00
BWC21-1(L/R)	21	\$2,854.00	\$3,045.00	\$3,854.00	\$5,047.00
27" Depth					
BWC15-1(L/R)-27	15	\$2,823.00	\$3,011.00	\$3,812.00	\$4,992.00
BWC18-1(L/R)-27	18	\$3,017.00	\$3,219.00	\$4,075.00	\$5,337.00
BWC21-1(L/R)-27	21	\$3,211.00	\$3,425.00	\$4,337.00	\$5,679.00

Hinged Door Trash Cabinet with Two Small Cans and Top Drawer

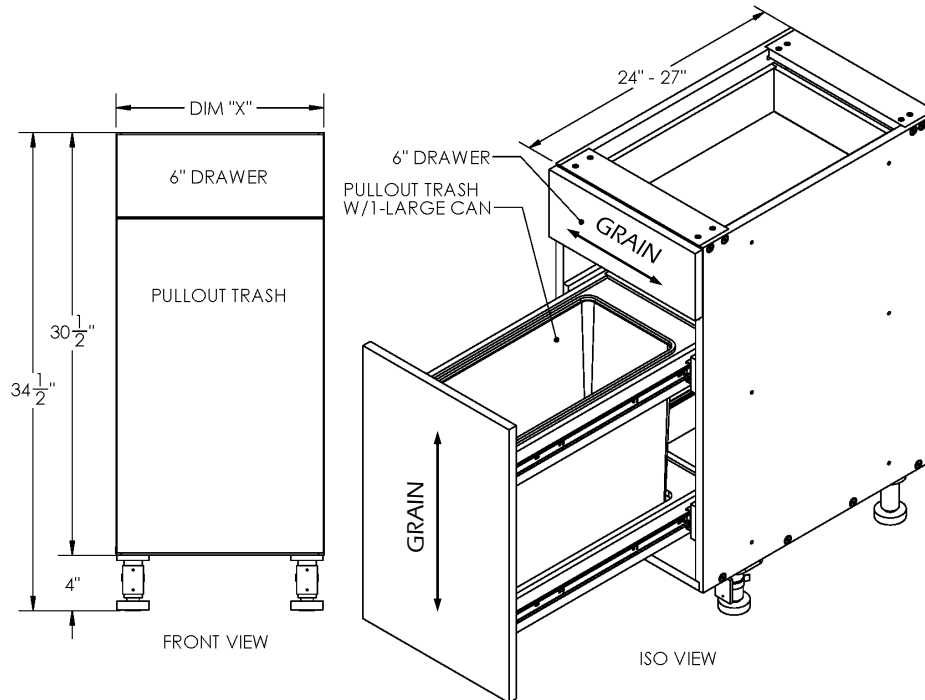


Model Shown: BWC15-2L
BWC 15 2L

- On all single door cabinets specify left or right hinge.
- 3/4" thick finished end panels are available.
- 24" or 27" Depth is to cabinet face. The drawer will add about 7/8" to the overall depth.
- Small 16 Qt. Trash Can dimensions are 9.375" wide x 9.875" deep x 18" high.
- 24" cabinet depth is the smallest available depth when utilizing a pullout trash.
- 6" Drawer available in "Simple" Style only.

Model #	Dim "A"	Price Group 1	Price Group 2	Price Group 3	Price Group 4
24" Depth					
BWC15-2(L/R)	15	\$2,569.00	\$2,726.00	\$3,448.00	\$4,514.00
BWC18-2(L/R)	18	\$2,736.00	\$2,911.00	\$3,680.00	\$4,819.00
BWC21-2(L/R)	21	\$2,897.00	\$3,091.00	\$3,913.00	\$5,123.00
27" Depth					
BWC15-2(L/R)-27	15	\$2,872.00	\$3,064.00	\$3,879.00	\$5,079.00
BWC18-2(L/R)-27	18	\$3,065.00	\$3,270.00	\$4,140.00	\$5,421.00
BWC21-2(L/R)-27	21	\$3,259.00	\$3,477.00	\$4,401.00	\$5,764.00

Pull-Out Door Trash Cabinet with One Large Can and Top Drawer



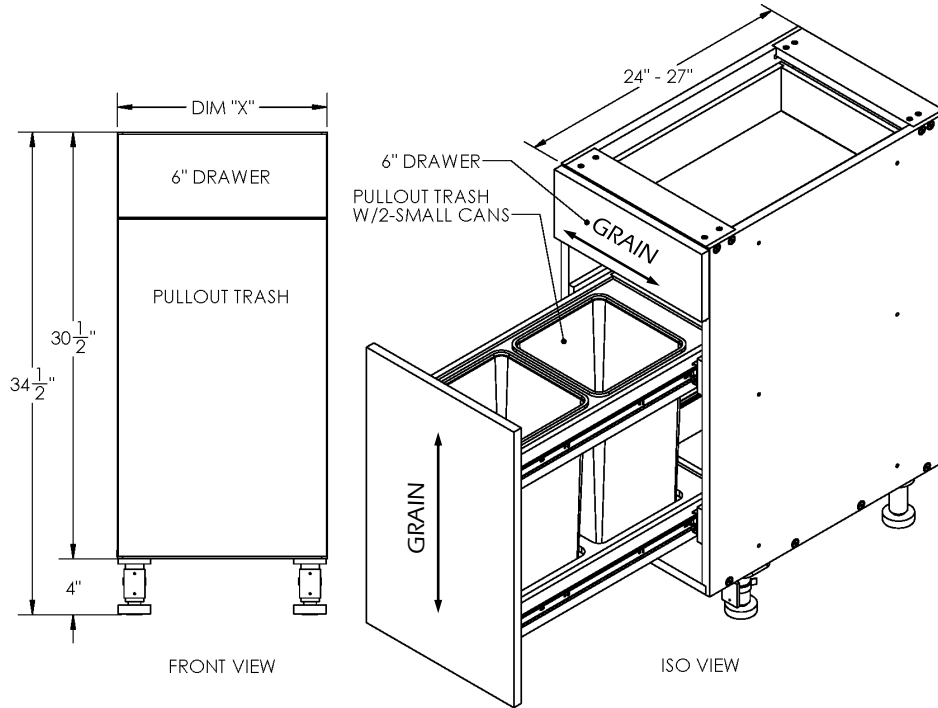
Model Shown: BWC15-1-PU

BWC 15 1-PU
 Pullout Trash Width 1 Can, Pull Out Door

- 3/4" thick finished end panels are available.
- 24" or 27" Depth is to cabinet face. The drawer will add about 7/8" to the overall depth.
- Large 37 Qt. Trash Can dimensions are 9.875" wide x 18.875" deep x 18" high.
- 24" cabinet depth is the smallest available depth when utilizing a pullout trash.
- 6" Drawer available in "Simple" Style only.

Model #	Dim "A"	Price Group 1	Price Group 2	Price Group 3	Price Group 4
24" Depth					
BWC15-1-PU	15	\$2,823.00	\$3,011.00	\$3,812.00	\$4,992.00
BWC18-1-PU	18	\$3,017.00	\$3,219.00	\$4,075.00	\$5,337.00
BWC21-1-PU	21	\$3,211.00	\$3,425.00	\$4,337.00	\$5,679.00
27" Depth					
BWC15-1-PU-27	15	\$3,176.00	\$3,388.00	\$4,290.00	\$5,617.00
BWC18-1-PU-27	18	\$3,395.00	\$3,622.00	\$4,586.00	\$6,004.00
BWC21-1-PU-27	21	\$3,612.00	\$3,854.00	\$4,879.00	\$6,388.00

Pull-Out Door Trash Cabinet with Two Small Cans and Top Drawer



Model Shown: BWC15-2-PU

BWC **15** **2-PU**
 Pullout Trash Width 2 Cans, Pull Out

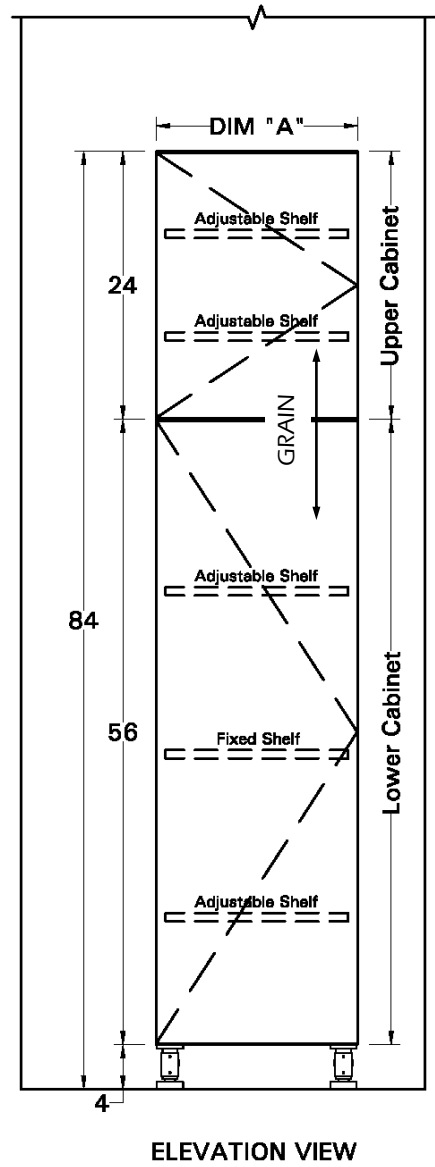
- 3/4" thick finished end panels are available.
- 24" or 27" Depth is to cabinet face. The drawer will add about 7/8" to the overall depth.
- Small 16 Qt. Trash Can dimensions are 9.375" wide x 9.875" deep x 18" high.
- 24" cabinet depth is the smallest available depth when utilizing a pullout trash.
- 6" Drawer available in "Simple" Style only.

Model #	Dim "A"	Price Group 1	Price Group 2	Price Group 3	Price Group 4
24" Depth					
BWC15-2-PU	15	\$2,872.00	\$3,064.00	\$3,879.00	\$5,079.00
BWC18-2-PU	18	\$3,065.00	\$3,270.00	\$4,140.00	\$5,421.00
BWC21-2-PU	21	\$3,259.00	\$3,477.00	\$4,401.00	\$5,764.00
27" Depth					
BWC15-2-PU-27	15	\$3,230.00	\$3,446.00	\$4,363.00	\$5,712.00
BWC18-2-PU-27	18	\$3,449.00	\$3,679.00	\$4,657.00	\$6,098.00
BWC21-2-PU-27	21	\$3,666.00	\$3,912.00	\$4,952.00	\$6,484.00

Tall Cabinets

- Tall Cabinets are made and shipped in (2) sections (Upper and Lower Cabinet) and are to be assembled together on-site.
- On all single door cabinets specify left or right hinge.
- 3/4" thick finished end panels are available.
- Comes with (4) Adjustable Shelves and(1) Fixed Shelf.
- Cabinet Depth is to cabinet face without the door. The door plus the spacer will add about 7/8" to the overall depth.

Model #	Dim "A"	Doors	Price Group 1	Price Group 2	Price Group 3	Price Group 4
12" Depth						
TC12(L/R)-12	12	1	\$1,539.00	\$1,732.00	\$2,211.00	\$2,896.00
TC15(L/R)-12	15	1	\$1,921.00	\$2,163.00	\$2,762.00	\$3,616.00
TC18(L/R)-12	18	1	\$2,305.00	\$2,595.00	\$3,313.00	\$4,339.00
TC21(L/R)-12	21	1	\$2,689.00	\$3,027.00	\$3,866.00	\$5,062.00
TC24B-12	24	2	\$3,072.00	\$3,458.00	\$4,416.00	\$5,782.00
TC27B-12	27	2	\$3,455.00	\$3,889.00	\$4,967.00	\$6,503.00
18" Depth						
TC12(L/R)-18	12	1	\$2,305.00	\$2,595.00	\$3,313.00	\$4,339.00
TC15(L/R)-18	15	1	\$2,882.00	\$3,244.00	\$4,143.00	\$5,425.00
TC18(L/R)-18	18	1	\$3,457.00	\$3,891.00	\$4,969.00	\$6,507.00
TC21(L/R)-18	21	1	\$4,033.00	\$4,539.00	\$5,798.00	\$7,591.00
TC24B-18	24	2	\$4,607.00	\$5,185.00	\$6,622.00	\$8,671.00
TC27B-18	27	2	\$5,183.00	\$5,833.00	\$7,450.00	\$9,755.00
24" Depth						
TC12(L/R)	12	1	\$3,072.00	\$3,458.00	\$4,416.00	\$5,782.00
TC15(L/R)	15	1	\$3,839.00	\$4,321.00	\$5,518.00	\$7,225.00
TC18(L/R)	18	1	\$4,608.00	\$5,186.00	\$6,623.00	\$8,673.00
TC21(L/R)	21	1	\$5,375.00	\$6,049.00	\$7,725.00	\$10,115.00
TC24B	24	2	\$6,142.00	\$6,912.00	\$8,827.00	\$11,559.00
TC27B	27	2	\$6,910.00	\$7,776.00	\$9,932.00	\$13,004.00



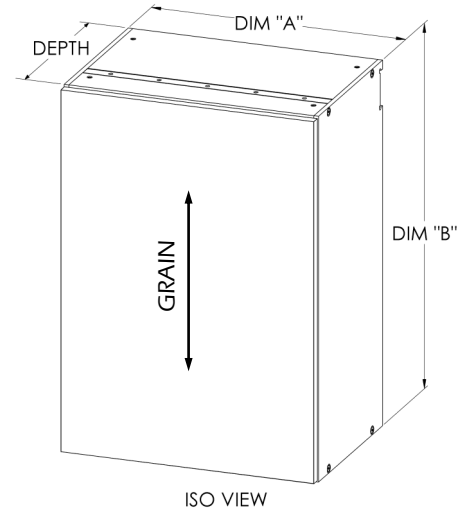
Model Shown: TC18R

TC 18 R
Tall Cabinet Width Right Hinge

Wall Cabinets with Single Door (L or R)

Model Shown: W1830R

W
Wall Cabinet
18
Width
30
Height
R
Right Hinge



Model #	Dim "A"	Dim "B"	Shelves	Price Group 1	Price Group 2	Price Group 3	Price Group 4
12" Depth							
W930(L/R)-12	9	30	2	\$803.00	\$892.00	\$1,199.00	\$1,569.00
W936(L/R)-12	9	36	2	\$880.00	\$984.00	\$1,313.00	\$1,719.00
W942(L/R)-12	9	42	2	\$956.00	\$1,076.00	\$1,426.00	\$1,867.00
W1230(L/R)-12	12	30	2	\$913.00	\$1,021.00	\$1,361.00	\$1,782.00
W1236(L/R)-12	12	36	2	\$1,001.00	\$1,127.00	\$1,489.00	\$1,949.00
W1242(L/R)-12	12	42	2	\$1,088.00	\$1,232.00	\$1,621.00	\$2,122.00
W1530(L/R)-12	15	30	2	\$1,023.00	\$1,150.00	\$1,523.00	\$1,994.00
W1536(L/R)-12	15	36	2	\$1,122.00	\$1,269.00	\$1,669.00	\$2,185.00
W1542(L/R)-12	15	42	2	\$1,220.00	\$1,388.00	\$1,816.00	\$2,378.00
W1830(L/R)-12	18	30	2	\$1,132.00	\$1,279.00	\$1,684.00	\$2,205.00
W1836(L/R)-12	18	36	2	\$1,243.00	\$1,411.00	\$1,848.00	\$2,421.00
W1842(L/R)-12	18	42	2	\$1,353.00	\$1,544.00	\$2,010.00	\$2,632.00
W2130(L/R)-12	21	30	2	\$1,243.00	\$1,408.00	\$1,845.00	\$2,417.00
W2136(L/R)-12	21	36	2	\$1,363.00	\$1,554.00	\$2,028.00	\$2,655.00
W2142(L/R)-12	21	42	2	\$1,485.00	\$1,699.00	\$2,207.00	\$2,889.00
14" Depth							
W930(L/R)	9	30	2	\$860.00	\$960.00	\$1,281.00	\$1,676.00
W936(L/R)	9	36	2	\$944.00	\$1,061.00	\$1,406.00	\$1,841.00
W942(L/R)	9	42	2	\$1,027.00	\$1,162.00	\$1,530.00	\$2,005.00
W1230(L/R)	12	30	2	\$977.00	\$1,098.00	\$1,455.00	\$1,905.00
W1236(L/R)	12	36	2	\$1,072.00	\$1,212.00	\$1,595.00	\$2,089.00
W1242(L/R)	12	42	2	\$1,167.00	\$1,327.00	\$1,738.00	\$2,274.00
W1530(L/R)	15	30	2	\$1,094.00	\$1,236.00	\$1,628.00	\$2,131.00
W1536(L/R)	15	36	2	\$1,200.00	\$1,364.00	\$1,786.00	\$2,338.00
W1542(L/R)	15	42	2	\$1,307.00	\$1,491.00	\$1,946.00	\$2,547.00
W1830(L/R)	18	30	2	\$1,212.00	\$1,374.00	\$1,801.00	\$2,359.00
W1836(L/R)	18	36	2	\$1,329.00	\$1,515.00	\$1,976.00	\$2,588.00
W1842(L/R)	18	42	2	\$1,447.00	\$1,656.00	\$2,151.00	\$2,816.00
W2130(L/R)	21	30	2	\$1,329.00	\$1,512.00	\$1,975.00	\$2,586.00
W2136(L/R)	21	36	2	\$1,457.00	\$1,666.00	\$2,165.00	\$2,835.00
W2142(L/R)	21	42	2	\$1,586.00	\$1,821.00	\$2,357.00	\$3,086.00

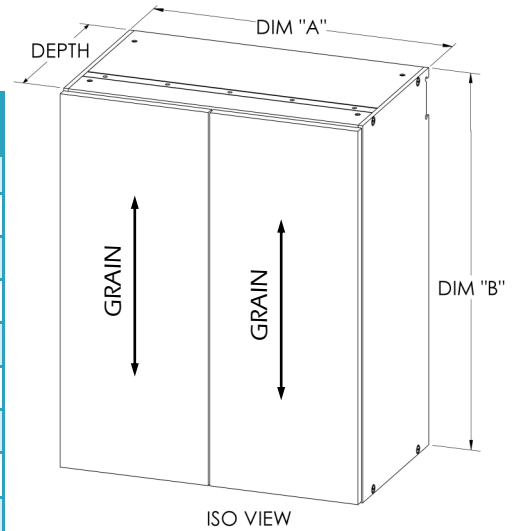
- On all single door cabinets specify left or right hinge.
- 3/4" thick finished end panels are available.
- Depth is to cabinet face without the door. The door plus the spacer will add about 7/8" to the overall depth.

Wall Cabinets with Center Closing Doors

Model Shown: W2430B

W 24 30 B
 Wall Cabinet Width Height Center Closing

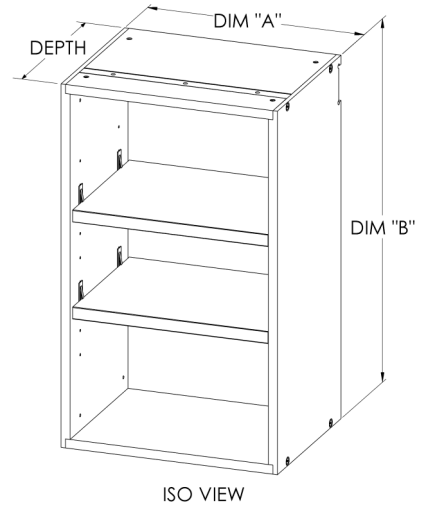
Model #	Dim A"	Dim B"	Shelves	Price Group 1	Price Group 2	Price Group 3	Price Group 4
12" Depth							
W2430B-12	24	30	2	\$1,445.00	\$1,626.00	\$2,165.00	\$2,835.00
W2436B-12	24	36	2	\$1,576.00	\$1,785.00	\$2,358.00	\$3,089.00
W2442B-12	24	42	2	\$1,708.00	\$1,944.00	\$2,559.00	\$3,350.00
W2730B-12	27	30	2	\$1,555.00	\$1,756.00	\$2,328.00	\$3,048.00
W2736B-12	27	36	2	\$1,698.00	\$1,928.00	\$2,540.00	\$3,325.00
W2742B-12	27	42	2	\$1,841.00	\$2,100.00	\$2,752.00	\$3,603.00
W3030B-12	30	30	2	\$1,665.00	\$1,885.00	\$2,491.00	\$3,261.00
W3036B-12	30	36	2	\$1,819.00	\$2,070.00	\$2,719.00	\$3,559.00
W3042B-12	30	42	2	\$1,974.00	\$2,256.00	\$2,947.00	\$3,859.00
W3012B-12	30	12	0	\$987.00	\$1,077.00	\$1,493.00	\$1,955.00
W3015B-12	30	15	0	\$1,064.00	\$1,170.00	\$1,608.00	\$2,105.00
W3018B-12	30	18	0	\$1,142.00	\$1,263.00	\$1,724.00	\$2,257.00
W3312B-12	33	12	0	\$1,042.00	\$1,141.00	\$1,574.00	\$2,061.00
W3315B-12	33	15	0	\$1,125.00	\$1,241.00	\$1,698.00	\$2,224.00
W3318B-12	33	18	0	\$1,208.00	\$1,340.00	\$1,822.00	\$2,384.00
W3612B-12	36	12	0	\$1,097.00	\$1,204.00	\$1,657.00	\$2,169.00
W3615B-12	36	15	0	\$1,186.00	\$1,311.00	\$1,787.00	\$2,340.00
W3618B-12	36	18	0	\$1,274.00	\$1,417.00	\$1,918.00	\$2,511.00
14" Depth							
W2430B	24	30	2	\$1,538.00	\$1,739.00	\$2,303.00	\$3,016.00
W2436B	24	36	2	\$1,677.00	\$1,906.00	\$2,510.00	\$3,286.00
W2442B	24	42	2	\$1,817.00	\$2,074.00	\$2,719.00	\$3,559.00
W2730B	27	30	2	\$1,656.00	\$1,878.00	\$2,478.00	\$3,245.00
W2736B	27	36	2	\$1,807.00	\$2,059.00	\$2,701.00	\$3,536.00
W2742B	27	42	2	\$1,957.00	\$2,240.00	\$2,924.00	\$3,828.00
W3030B	30	30	2	\$1,773.00	\$2,015.00	\$2,650.00	\$3,471.00
W3036B	30	36	2	\$1,935.00	\$2,210.00	\$2,889.00	\$3,783.00
W3042B	30	42	2	\$2,097.00	\$2,404.00	\$3,132.00	\$4,100.00
W3012B	30	12	0	\$1,039.00	\$1,139.00	\$1,570.00	\$2,055.00
W3015B	30	15	0	\$1,119.00	\$1,236.00	\$1,691.00	\$2,213.00
W3018B	30	18	0	\$1,200.00	\$1,333.00	\$1,812.00	\$2,372.00
W3312B	33	12	0	\$1,097.00	\$1,207.00	\$1,657.00	\$2,169.00
W3315B	33	15	0	\$1,184.00	\$1,311.00	\$1,786.00	\$2,338.00
W3318B	33	18	0	\$1,270.00	\$1,415.00	\$1,913.00	\$2,505.00
W3612B	36	12	0	\$1,156.00	\$1,275.00	\$1,743.00	\$2,283.00
W3615B	36	15	0	\$1,248.00	\$1,385.00	\$1,880.00	\$2,460.00
W3618B	36	18	0	\$1,339.00	\$1,496.00	\$2,018.00	\$2,642.00



- 3/4" thick finished end panels are available.
- Depth is to cabinet face without the door. The door plus the spacer will add about 7/8" to the overall depth.

Open Shelf Wall Cabinets (No Doors)

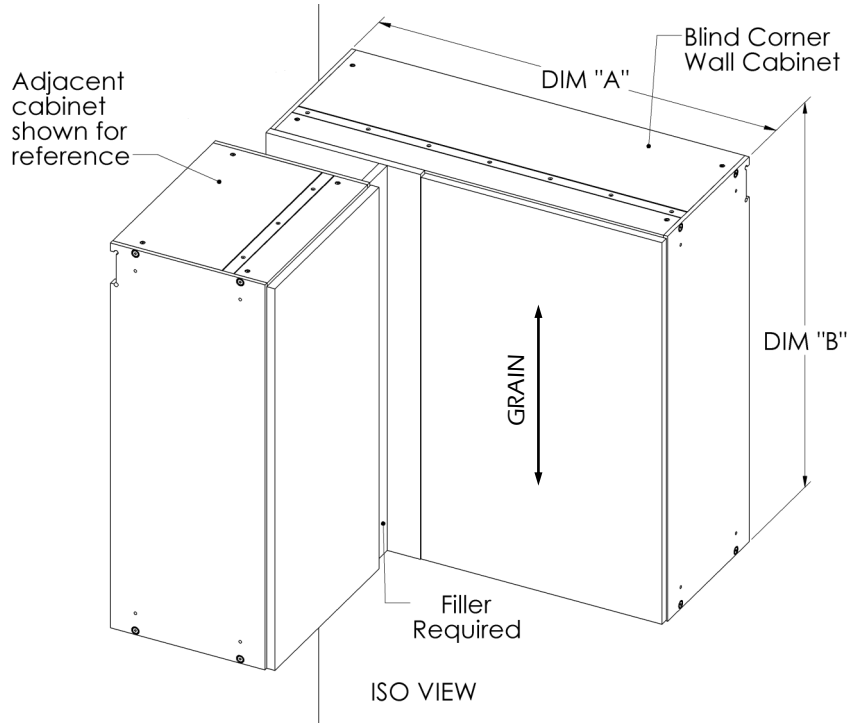
Model Shown: WO1830
WO 18 30
 Open Wall Width Height



- 3/4" thick finished end panels are available.
- Depth is to cabinet face.
- Not available in HDPE Wood-grain Finish or Natural Wood.

Model #	Dim A"	Dim B"	Shelves	Price Group 1	Price Group 2	Price Group 3	Price Group 4
12" Depth							
WO930-12	9	30	2	\$616.00	\$691.00	N/A	N/A
WO936-12	9	36	2	\$676.00	\$762.00	N/A	N/A
WO1230-12	12	30	2	\$698.00	\$786.00	N/A	N/A
WO1236-12	12	36	2	\$763.00	\$864.00	N/A	N/A
WO1530-12	15	30	2	\$779.00	\$881.00	N/A	N/A
WO1536-12	15	36	2	\$849.00	\$965.00	N/A	N/A
WO1830-12	18	30	2	\$861.00	\$975.00	N/A	N/A
WO1836-12	18	36	2	\$937.00	\$1,066.00	N/A	N/A
WO2130-12	21	30	2	\$942.00	\$1,070.00	N/A	N/A
WO2136-12	21	36	2	\$1,023.00	\$1,168.00	N/A	N/A
WO2430-12	24	30	2	\$1,024.00	\$1,165.00	N/A	N/A
WO2436-12	24	36	2	\$1,111.00	\$1,270.00	N/A	N/A
WO2730-12	27	30	2	\$1,106.00	\$1,261.00	N/A	N/A
WO2736-12	27	36	2	\$1,198.00	\$1,372.00	N/A	N/A
WO3030-12	30	30	2	\$1,187.00	\$1,356.00	N/A	N/A
WO3036-12	30	36	2	\$1,285.00	\$1,473.00	N/A	N/A
14" Depth							
WO930	9	30	2	\$672.00	\$758.00	N/A	N/A
WO936	9	36	2	\$739.00	\$838.00	N/A	N/A
WO1230	12	30	2	\$761.00	\$862.00	N/A	N/A
WO1236	12	36	2	\$833.00	\$948.00	N/A	N/A
WO1530	15	30	2	\$850.00	\$965.00	N/A	N/A
WO1536	15	36	2	\$927.00	\$1,059.00	N/A	N/A
WO1830	18	30	2	\$939.00	\$1,069.00	N/A	N/A
WO1836	18	36	2	\$1,021.00	\$1,169.00	N/A	N/A
WO2130	21	30	2	\$1,027.00	\$1,172.00	N/A	N/A
WO2136	21	36	2	\$1,116.00	\$1,279.00	N/A	N/A
WO2430	24	30	2	\$1,116.00	\$1,277.00	N/A	N/A
WO2436	24	36	2	\$1,211.00	\$1,390.00	N/A	N/A
WO2730	27	30	2	\$1,206.00	\$1,381.00	N/A	N/A
WO2736	27	36	2	\$1,306.00	\$1,501.00	N/A	N/A
WO3030	30	30	2	\$1,294.00	\$1,485.00	N/A	N/A
WO3036	30	36	2	\$1,399.00	\$1,611.00	N/A	N/A

Blind Corner Wall Cabinet



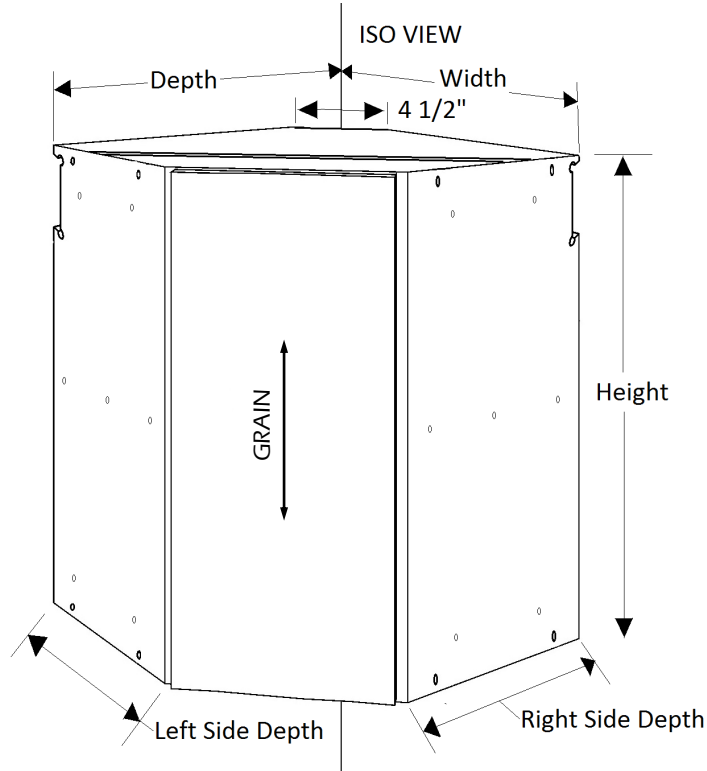
Model Shown: WBC3630-L

<u>WBC</u>	<u>36</u>	<u>30</u>	<u>L</u>
Blind Corner Wall	Width	Height	Blind

- Specify Blind side Left or Right.
- Door Hinge is always on the same side as the Blind side panel.
- 12" or 14" Depth is to cabinet face. The door will add about 7/8" to the overall depth.
- Comes with (1) Shelf.
- Drawing layout with dimensions must be included with order form in order to correctly build the Blind Corner Cabinet.
- Distance the Blind Corner Cabinet is pulled away from side wall is required.

Model #	Dim A	Dim B	Price Group 1	Price Group 2	Price Group 3	Price Group 4
12" Depth						
WBC3630-(L/R)-12	36	30	\$2,286.00	\$2,556.00	\$3,375.00	\$4,420.00
WBC3930-(L/R)-12	39	30	\$2,210.00	\$2,467.00	\$3,264.00	\$4,273.00
WBC3636-(L/R)-12	36	36	\$2,469.00	\$2,776.00	\$3,648.00	\$4,776.00
WBC3936-(L/R)-12	39	36	\$2,437.00	\$2,740.00	\$3,602.00	\$4,717.00
14" Depth						
WBC3630-(L/R)	36	30	\$2,407.00	\$2,700.00	\$3,554.00	\$4,654.00
WBC3930-(L/R)	39	30	\$2,309.00	\$2,585.00	\$3,411.00	\$4,466.00
WBC3636-(L/R)	36	36	\$2,598.00	\$2,931.00	\$3,840.00	\$5,027.00
WBC3936-(L/R)	39	36	\$2,545.00	\$2,869.00	\$3,763.00	\$4,927.00

Corner Wall Cabinet



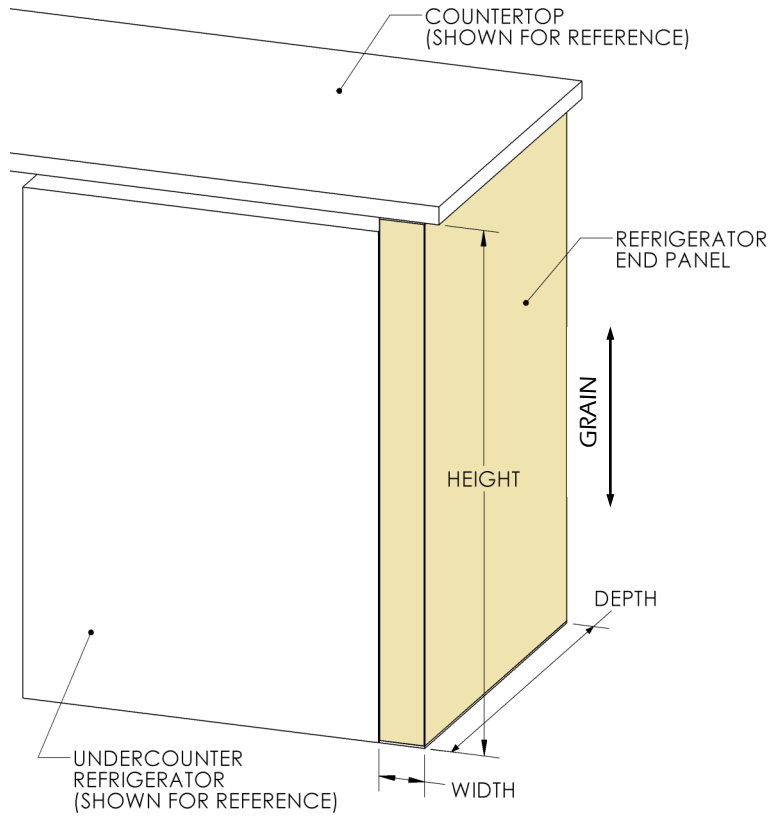
Model Shown: WCC243614L

WCC 24 36 14 L
 Corner Wall Width Height Side Depth Left Hinge

- On all single door cabinets specify left or right hinge.
- The door will add about 7/8" to the overall depth.
- Comes with (1) Fixed Center Shelf.

Model #	Width	Height	Depth	Left Side Depth	Right Side Depth	Price Group 1	Price Group 2	Price Group 3	Price Group 4
WCC243012(L/R)	24	30	24	12	12	\$1,928.00	\$2,203.00	\$2,859.00	\$3,743.00
WCC243014(L/R)	24	30	24	14	14	\$1,972.00	\$2,255.00	\$2,924.00	\$3,828.00
WCC243612(L/R)	24	36	24	12	12	\$2,071.00	\$2,375.00	\$3,072.00	\$4,022.00
WCC243614(L/R)	24	36	24	14	14	\$2,123.00	\$2,438.00	\$3,149.00	\$4,123.00

Refrigerator End Panels



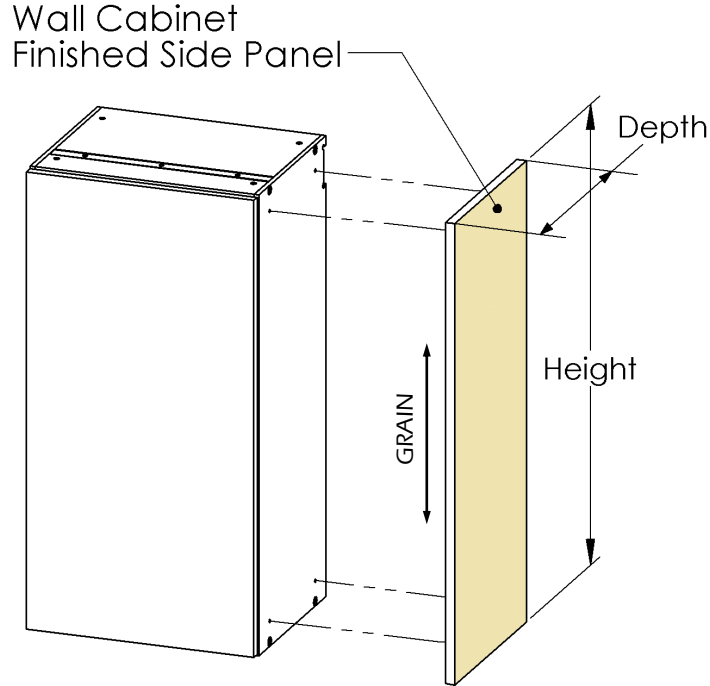
Model Shown: BREP324

BREP 3 24
End Panel Width Depth

- Not available in Price Group 3 and 4
- Available in "Simple" Style only.

Model #	Width	Depth	Height	Price Group 1	Price Group 2	Price Group 3	Price Group 4
BREP324	3	24.875	34.5	\$798.00	\$861.00	N/A	N/A
BREP327	3	27.875	34.5	\$843.00	\$938.00	N/A	N/A

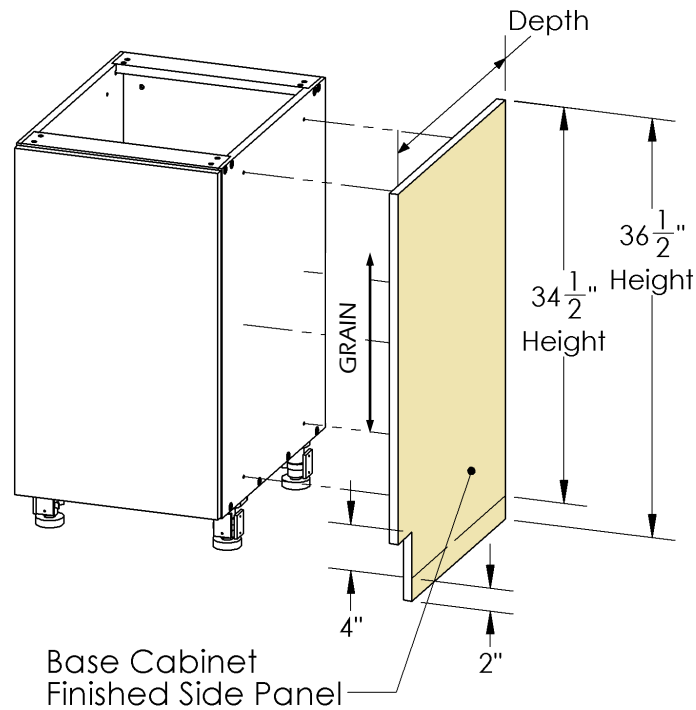
Finished Side Panel for Wall Cabinet



- Specify left or right side panel.
- Finished Side panels are 3/4" thick.
- The depth of the finished panel will overhang the face of the wall cabinet by 7/8".
- The Height of the finished panel for a wall cabinet will match the height of the side of the wall cabinet box.
- Finished Side Panels do not ship attached.

Model #	Height	Price Group 1	Price Group 2	Price Group 3	Price Group 4
12 7/8" Depth					
WFEP12(L/R)-12	12	\$158.00	\$164.00	\$468.00	\$701.00
WFEP15(L/R)-12	15	\$169.00	\$178.00	\$565.00	\$867.00
WFEP18(L/R)-12	18	\$182.00	\$193.00	\$661.00	\$1,033.00
WFEP30(L/R)-12	30	\$229.00	\$250.00	\$1,049.00	\$1,695.00
WFEP36(L/R)-12	36	\$254.00	\$279.00	\$1,243.00	\$2,026.00
WFEP42(L/R)-12	42	\$278.00	\$308.00	\$1,436.00	\$2,358.00
14 7/8" Depth					
WFEP12(L/R)	12	\$165.00	\$173.00	\$528.00	\$804.00
WFEP15(L/R)	15	\$179.00	\$189.00	\$640.00	\$996.00
WFEP18(L/R)	18	\$193.00	\$206.00	\$752.00	\$1,187.00
WFEP30(L/R)	30	\$248.00	\$273.00	\$1,199.00	\$1,952.00
WFEP36(L/R)	36	\$276.00	\$306.00	\$1,423.00	\$2,335.00
WFEP42(L/R)	42	\$303.00	\$339.00	\$1,647.00	\$2,717.00

Finished Side Panel for Base Cabinets

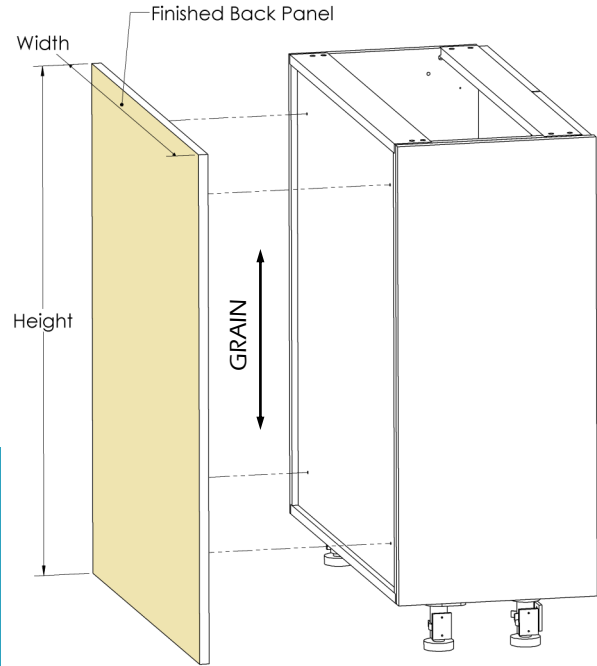


- Specify left or right side panel.
- Finished Side Panels are required on the ends of cabinet runs.
- Finished Side panels are 3/4" thick.
- 22" and 36.5" Height Finished Side Panels are available for job site conditions that have a pitched floor. Bottom of panel can be field cut.
- The depth of the finished panel will overhang the face of the base cabinet by 7/8".
- Finished Side Panels do not ship attached.

Model #	Height	Price Group 1	Price Group 2	Price Group 3	Price Group 4
24 7/8" Depth					
BFEP(L/R)20	20	\$219.00	\$249.00	\$1,328.00	\$2,172.00
BFEP(L/R)22	22	\$236.00	\$269.00	\$1,452.00	\$2,386.00
BFEP(L/R)345	34.5	\$375.00	\$426.00	\$2,232.00	\$3,719.00
BFEP(L/R)365	36.5	\$391.00	\$444.00	\$2,356.00	\$3,932.00
27 7/8" Depth					
BFEP(L/R)20-D	20	\$236.00	\$269.00	\$1,478.00	\$2,429.00
BFEP(L/R)22-D	22	\$258.00	\$294.00	\$1,618.00	\$2,668.00
BFEP(L/R)345-D	34.5	\$408.00	\$464.00	\$2,490.00	\$4,162.00
BFEP(L/R)365-D	36.5	\$425.00	\$485.00	\$2,630.00	\$4,401.00

Finished Back Panel

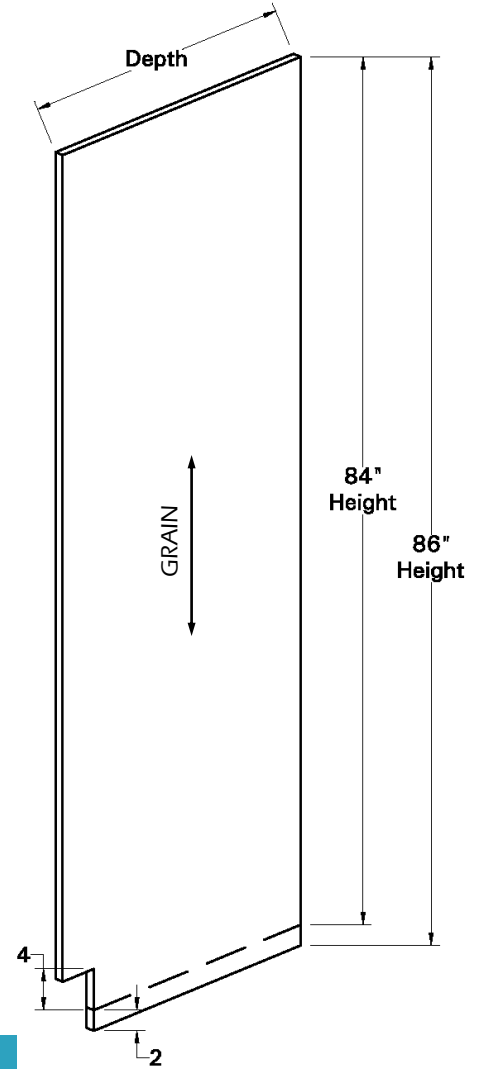
- Finished Back Panels are required on base cabinets that are to be used in island configurations where the backside is visible.
- Finished Back panels are 3/4" thick and are meant to be cut to fit onsite.
- Back Panels are shipped with "Simple" design unless the exact field dimension size is given.
- Back Panels do not ship attached.
- Back Panels with Woodgrain Finish are available at a maximum width of 53" due to vertical grain direction.



Model #	Width	Price Group 1	Price Group 2	Price Group 3	Price Group 4
34 1/2" Height					
FBP36	36	\$556.00	\$646.00	N/A	N/A
FBP42	42	\$634.00	\$740.00	N/A	N/A
FBP48	48	\$713.00	\$835.00	N/A	N/A
FBP54	54	\$793.00	\$929.00	N/A	N/A
FBP60	60	\$871.00	\$1,024.00	N/A	N/A
FBP66	66	\$950.00	\$1,119.00	N/A	N/A
FBP72	72	\$1,029.00	\$1,213.00	N/A	N/A
FBP78	78	\$1,108.00	\$1,308.00	N/A	N/A
FBP84	84	\$1,187.00	\$1,402.00	N/A	N/A
FBP90	90	\$1,265.00	\$1,497.00	N/A	N/A
FBP95	95	\$1,332.00	\$1,576.00	N/A	N/A
40 1/2" Height					
TFBP36	36	\$636.00	\$743.00	N/A	N/A
TFBP42	42	\$729.00	\$854.00	N/A	N/A
TFBP48	48	\$820.00	\$964.00	N/A	N/A
TFBP54	54	\$913.00	\$1,075.00	N/A	N/A
TFBP60	60	\$1,006.00	\$1,186.00	N/A	N/A
TFBP66	66	\$1,097.00	\$1,296.00	N/A	N/A
TFBP72	72	\$1,190.00	\$1,407.00	N/A	N/A
TFBP78	78	\$1,283.00	\$1,518.00	N/A	N/A
TFBP84	84	\$1,376.00	\$1,628.00	N/A	N/A
TFBP90	90	\$1,467.00	\$1,739.00	N/A	N/A
TFBP95	95	\$1,544.00	\$1,832.00	N/A	N/A

Finished Side Panel for Tall Cabinets

- Specify left or right side panel.
- Finished Side Panels are required on the ends of cabinet runs.
- Finished Side panels are 3/4" thick.
- 86" Finished Side Panels are available for job site conditions that have a pitched floor. Bottom of panel can be field cut.
- The depth of the finished panel will overhang the face of the tall cabinet by 7/8".
- Finished Side Panels do not ship attached.



Model #	Height	Price Group 1	Price Group 2	Price Group 3	Price Group 4
12 7/8" Depth					
BFEP(L/R)84-12	84	\$472.00	\$538.00	\$2,792.00	\$4,675.00
BFEP(L/R)86-12	86	\$483.00	\$550.00	\$2,855.00	\$4,787.00
18 7/8" Depth					
BFEP(L/R)84-18	84	\$692.00	\$787.00	\$4,054.00	\$6,837.00
BFEP(L/R)86-18	86	\$709.00	\$806.00	\$4,149.00	\$6,998.00
24 7/8" Depth					
BFEP(L/R)84-24	84	\$910.00	\$1,036.00	\$5,317.00	\$8,997.00
BFEP(L/R)86-24	86	\$933.00	\$1,062.00	\$5,441.00	\$9,210.00

Filler-Base Cabinet

Model #	Description	Price Group 1	Price Group 2	Price Group 3	Price Group 4
BF15-30	FILLER FOR BASE CABINET, 1.5" WIDE X 30.5" TALL	\$85.00	\$87.00	\$161.00	\$205.00
BF3-30	FILLER FOR BASE CABINET, 3" WIDE X 30.5" TALL	\$99.00	\$102.00	\$241.00	\$371.00
BF15-34	FILLER FOR BASE CABINET, 1.5" WIDE X 34.5" TALL	\$86.00	\$88.00	\$171.00	\$226.00
BF3-34	FILLER FOR BASE CABINET, 3" WIDE X 34.5" TALL	\$102.00	\$107.00	\$261.00	\$414.00
BF15-36	FILLER FOR BASE CABINET, 1.5" WIDE X 36.5" TALL	\$87.00	\$88.00	\$176.00	\$237.00
BF3-36	FILLER FOR BASE CABINET, 3" WIDE X 36.5" TALL	\$105.00	\$109.00	\$273.00	\$435.00
CBF-30	CORNER BASE FILLER KIT, (1) 3" LEG, (1) 4" LEG - 30.5" TALL	\$137.00	\$149.00	\$454.00	\$812.00

Filler-Wall Cabinets

Model #	Description	Price Group 1	Price Group 2	Price Group 3	Price Group 4
FW130	FILLER FOR WALL CABINET, 1.5" WIDE X 30" TALL	\$86.00	\$86.00	\$160.00	\$202.00
FW330	FILLER FOR WALL CABINET, 3" WIDE X 30" TALL	\$89.00	\$90.00	\$175.00	\$235.00
FW136	FILLER FOR WALL CABINET, 1.5" WIDE X 36" TALL	\$91.00	\$93.00	\$191.00	\$267.00
FW336	FILLER FOR WALL CABINET, 3" WIDE X 36" TALL	\$100.00	\$103.00	\$238.00	\$364.00
FW142	FILLER FOR WALL CABINET, 1.5" WIDE X 42" TALL	\$106.00	\$110.00	\$269.00	\$430.00
FW342	FILLER FOR WALL CABINET, 3" WIDE X 42" TALL	\$112.00	\$117.00	\$301.00	\$495.00

Square Molding-for top of wall cabinets

Model #	Description	Price Group 1	Price Group 2	Price Group 3	Price Group 4
MLD-SQ-1	3" WIDE X 95" LONG (CUT TO FIT)	\$178.00	\$195.00	\$580.00	\$1,070.00

Filler-Tall Cabinet

Model #	Description	Price Group 1	Price Group 2	Price Group 3	Price Group 4
BF15-84	FILLER FOR BASE CABINET, 1.5" WIDE X 84" TALL	\$235.00	\$268.00	\$301.00	\$495.00
BF3-84	FILLER FOR BASE CABINET, 3" WIDE X 84" TALL	\$274.00	\$312.00	\$521.00	\$951.00
BF15-86	FILLER FOR BASE CABINET, 1.5" WIDE X 86" TALL	\$240.00	\$272.00	\$306.00	\$506.00
BF3-86	FILLER FOR BASE CABINET, 3" WIDE X 86" TALL	\$281.00	\$320.00	\$531.00	\$973.00

- Grain Direction runs the length of the Filler.

Toe Kick

Model #	Description	Price Group 1	Price Group 2	Price Group 3	Price Group 4
4" Height					
TK436	4" HIGH X 36" LONG TOE KICK (CUT TO FIT)	\$80.00	\$88.00	\$332.00	\$560.00
TK442	4" HIGH X 42" LONG TOE KICK (CUT TO FIT)	\$93.00	\$103.00	\$375.00	\$647.00
TK448	4" HIGH X 48" LONG TOE KICK (CUT TO FIT)	\$106.00	\$117.00	\$416.00	\$733.00
TK454	4" HIGH X 54" LONG TOE KICK (CUT TO FIT)	\$120.00	\$131.00	\$459.00	\$821.00
TK460	4" HIGH X 60" LONG TOE KICK (CUT TO FIT)	\$133.00	\$146.00	\$500.00	\$908.00
TK466	4" HIGH X 66" LONG TOE KICK (CUT TO FIT)	\$146.00	\$160.00	\$543.00	\$995.00
TK472	4" HIGH X 72" LONG TOE KICK (CUT TO FIT)	\$159.00	\$174.00	\$584.00	\$1,081.00
TK478	4" HIGH X 78" LONG TOE KICK (CUT TO FIT)	\$172.00	\$188.00	\$627.00	\$1,168.00
TK484	4" HIGH X 84" LONG TOE KICK (CUT TO FIT)	\$185.00	\$204.00	\$668.00	\$1,256.00
TK490	4" HIGH X 90" LONG TOE KICK (CUT TO FIT)	\$198.00	\$218.00	\$711.00	\$1,342.00
TK495	4" HIGH X 95" LONG TOE KICK (CUT TO FIT)	\$204.00	\$228.00	\$745.00	\$1,414.00
6" Height					
TK636	6" HIGH X 36" LONG TOE KICK (CUT TO FIT)	\$106.00	\$118.00	\$459.00	\$821.00
TK642	6" HIGH X 42" LONG TOE KICK (CUT TO FIT)	\$123.00	\$136.00	\$521.00	\$951.00
TK648	6" HIGH X 48" LONG TOE KICK (CUT TO FIT)	\$142.00	\$157.00	\$584.00	\$1,081.00
TK654	6" HIGH X 54" LONG TOE KICK (CUT TO FIT)	\$158.00	\$176.00	\$647.00	\$1,212.00
TK660	6" HIGH X 60" LONG TOE KICK (CUT TO FIT)	\$176.00	\$196.00	\$711.00	\$1,342.00
TK666	6" HIGH X 66" LONG TOE KICK (CUT TO FIT)	\$193.00	\$214.00	\$773.00	\$1,472.00
TK672	6" HIGH X 72" LONG TOE KICK (CUT TO FIT)	\$212.00	\$235.00	\$836.00	\$1,602.00
TK678	6" HIGH X 78" LONG TOE KICK (CUT TO FIT)	\$229.00	\$254.00	\$899.00	\$1,733.00
TK684	6" HIGH X 84" LONG TOE KICK (CUT TO FIT)	\$245.00	\$271.00	\$961.00	\$1,863.00
TK690	6" HIGH X 90" LONG TOE KICK (CUT TO FIT)	\$263.00	\$291.00	\$1,025.00	\$1,994.00
TK695	6" HIGH X 95" LONG TOE KICK (CUT TO FIT)	\$269.00	\$306.00	\$1,077.00	\$2,102.00

- Grain Direction runs the length of the Toe Kick.

Indoor & Outdoor Cabinetry HDPE PRODUCT SPECIFICATIONS

Typical Properties			
PROPERTY	ASTM SPEC	UNIT	HDPE
Specific Gravity	D792	****	0.96
Water Absorption	D570	%	<0.01
Tensile Strength (yield)	D1708, D638	psi	3600
Elongation (break)	D1708, D638	%	700
Flexural Modulus	D790 @ 23 C	psi	175000
Notched Izod Impact	D256 @ 23 C	ft-lb/in.	3
Shore D Hardness	D2240	***	65
Continuous Service Temperature	Maximum	°C	76
		°F	170
Melting Point	D3418	°C	131
	D3418	°F	267
Coefficient of Expansion	E831 TMA	in/in/°F (10 ⁻⁵)	6.7
<p>Slow Burning: Passes UL 94, Classification HB</p> <p>Temperature Serviceability:</p> <p>Upper Limit: 163 F deflection temperature at 66 psi, ASTM D648.</p> <p>Lower Limit: -100 F brittleness temperature, ASTM D746.</p> <p>Food Contact: Complies with FDA and USDA requirements for food contact.</p> <p>UV Resistance: Stabilized against excessive polymer degradation and color change</p> <p>* Continuous Service Temperature based upon "non-Chemical Dry usage".</p> <p>* Table data reflects ASTM based average typical vendor data.</p> <p>* Data meant as general guidelines only.</p> <p>* Specific applications require additional testing by the buyer.</p> <p>* All properties based on standard unbacked product tests only.</p>			

Limited Lifetime Warranty

Although this has rarely happened, DeSavino & Son's will repair or replace cabinetry which proves to be defective in material or workmanship under normal residential use for the lifetime of the original purchaser. This is our guarantee to you, our valued customer.

Please note, this warranty is not transferable and is expressly limited to the cabinet carcass, base, doors, drawers, shelves, and polymer drawer (Not Drawer Slides).

Separate components not manufactured by DeSavino & Son's such as grills, refrigerators, countertops, casters, stainless steel drawer slides, and accessories may be covered by a separate manufacturer's warranty, but are not covered by this Limited Lifetime Warranty.

Items not specifically listed in this warranty are not covered by this warranty. No other warranty, express or implied, is applicable to this product. DeSavino & Son's shall not be liable for the loss of use of the product, inconvenience, loss or any other damages, direct or consequential, arising out of the use of or inability to use this product.

Our warranty does not apply to cabinets that have been improperly installed, misused or modified. This warranty does not apply to the natural aging of the finish. This warranty applies only to manufacturer defects and does not apply to natural aging or wear and tear.

The above warranty is limited to the repair or replacement of the defective part at the discretion of DeSavino & Son's and does not include service trip(s) expenses necessary for removal labor, shipping, or inspection, replacement or delivery of defective parts. Parts replaced under this warranty are not guaranteed for color match. Defective cabinet parts are subject to a one time replacement. Components and products not manufactured by DeSavino & Son's will carry the warranty of the original manufacturer and are subject to availability from our supplier.

To obtain warranty coverage: Retain your bill of sale and copy of this warranty statement to prove original purchase and warranty terms in effect at the date of your sale. Warranty requests must be accompanied by photographs of the cabinetry as installed to document the defect. Warranty requests will not be processed without proof of purchase and proper documentation. A copy of the sales receipt must be submitted at the time warranty service is requested.

Movable carts including the Kamado Grill Caddy line are limited to a three (3) year warranty period.

Natural Wood Species Doors and other Natural Wood Species components which includes Brazilian Cherry and Teak are NOT covered under our Limited Lifetime Warranty and do not include any separate manufacturers warranty.

Return Policy

Keeping in mind that all of our project and cabinets are custom made and tailored toward our individual customers, there can be no refunds or exchanges. A rare flaw in our construction or craftsmanship may be returned to us within 14 days, but you must call or email us immediately for authorization upon receipt, so we ask that you take a look at our delivered product making sure it is to your liking and exactly what you have order as it is our wish to make all of our customers happy and 100% satisfied.. Defective Items can be returned for EXCHANGE ONLY of same product.

We ask that our customers inspect the package and the custom made products carefully upon receiving them, sometimes, in the delivery process which is out of our control, damages do occur, accept the shipment and we also ask that you notate any damages and irregularities, such as crushed, torn, punctured, or broken parts on both the packaging and the product, on the freight bill or receipt at the driver's presence. We also ask our customers retain all boxes, packing materials, and damaged goods for the deliverer's damage inspector to inspect. A signed receipt without any notation indemnified the carrier as well as us from any further damage claims. Do not refuse shipment or return it without approval, because the buyer's right to make a damage claim may be denied. If damages are discovered after a cleared delivery they then become the responsibility of the customer.

All damaged items must be notified to deliverer and our company within 24 hours. In cases of damage with proper notation on receipt, the carrier will determine whether to pay for repair cost or replacement value of the damaged goods after damage inspection. Replacement value is the amount the buyer paid to us and is not negotiable. All disputes about the settlement amount should be addressed with the carrier. We under no circumstances shall be liable for the damaged product or for subsequent settlement of the claim with the carrier.

Orders will be shipped out via Ground Shipment in single or multiple boxes depending on the product. Once the shipment is delivered, it is the responsibility of the customer to protect the order from weather and other things that may damage the contents (heat, cold, water, blunt force, etc). Please inspect the shipment for damage prior to accepting delivery of the shipment. Claims for damage must be submitted against the carrier.

Empty pallets and packaging materials such as plywood, cardboard, and foam are to be discarded by the customer at the customer's expense. In some cases additional charges may apply due to an inaccessible delivery address, island/rural deliveries (where there is no road to the delivery address), rural, multi-level apartment/condo buildings, deliveries to the city of New York, and various other obstacles. The customer will be responsible for coordinating and paying for additional services required delivering the order.

Changes/Corrections/Cancellations

Please make all corrections at the time that you receive confirmation verification. If you have a correction or change in your order, please fax them to us immediately.

Cancellation of an order after confirmation/verification will result in a charge of the amount of materials and labor that has already been accrued in our custom manufacturing process plus an additional 20% charge.

Shipping Information:

Please be aware, our custom made products are built tough and are very heavy, we ask that you arrange to have someone that can help you handle your outdoor cabinets when they are delivered.

Your product order will ship via Ground Shipment to your business or residence address. We shall provide all of the relevant tracking information prior to shipment.

All cabinetry will be sent to the Dealers Location verified on the Dealer Form. All cabinetry is delivered either Assembled or Flat Packed via ground delivery. Dealer must have a representative available to receive cabinetry, verified quantities, and document any damages on bill of lading. An additional shipping fee will be applied to orders under \$1,000. Dealer will be notified prior to shipping the balance due and the estimated delivery date.

There is a \$150.00 fee for lift gate delivery and a \$100.00 fee for residential delivery. Consignee notification is an additional \$50.00.

Other Questions

How long will it take to install your cabinetry?

Depending on the amount of cabinets involved in the installation, it will take 1-2 days. .

Can the cabinets be painted?

No. The cabinets are colored throughout the material.

How are the cabinets constructed?

Cabinets are designed to be assembled with our supplied hardware. The panels are already cut and drilled to accept the hardware to guarantee correct assembly.

How will I clean the cabinets?

Just wash with a soap and water and hose or pressure washer when it gets dirty.

Can the cabinets be in direct sunlight?

Yes. They may be set directly in the sunlight.

Will the cabinet colors ever fade?

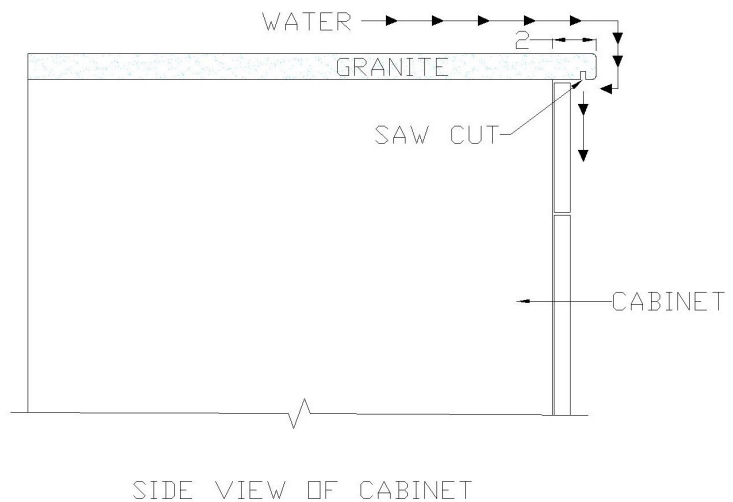
No. The UV inhibitors will prevent cabinetry from fading.

Do the cabinets have sealed doors or drawers (with a gasket)?

No. They are not watertight. They are waterproof.

The difference is that water will not harm the structure or integrity of the cabinet. By design, there are small gaps between the doors and drawers, they are not gasketed with a watertight seal. For most designs, this is sufficient to keep your items safe from the weather.

To help prevent direct rainwater from dripping into the cabinet, it is recommended to have a sufficient countertop overhang (2" from the face of the cabinet). Also, your granite fabricator should "saw cut" a groove to the underside of the front of the granite countertop to help prevent water from running down the face and traveling inside the cabinet.



Lead Time:

Normal lead time is approximately 4 weeks from the time the signed confirmation order and payment is received.

Orders:

All orders must be supplied with a quote and customer approved signed drawings. ***Orders will not be processed until customer approved signed drawings are received.***

Order Confirmation:

All order confirmations **must** be signed by an authorized representative of the dealer. It is the responsibility of the dealer to correctly fill out the order form including verifying color, door/drawer style, sizes and quantities or product.

Payment Methods:

Upon credit approval, terms will be Net 30. Otherwise, a 50% deposit is required when confirmation is made. The balance must be received before shipment. Credit card, company checks, money orders, certified funds or wire transfer are acceptable methods of payment. All sales tax will be added to confirmation.

Grill Bases:

The manufacturer's approved heat insulating jacket must be used with any grills used in Outdoor Cabinetry grill bases.

Weight by Model # (Lbs.)

Base Cabinet-1 Drawer / 1 Door		B30B-18	114	BFH33B-18	118		
B12L-18	66	B24B	130	BFH36B-18	126	Drawer Base-3 Drawers	
B12R-18	66	B27B	141	BFH24B	125	DB12-3-18	86
B15L-18	73	B30B	152	BFH27B	135	DB15-3-18	96
B15R-18	73	B24B-27	147	BFH30B	146	DB18-3-18	106
B18L-18	81	B27B-27	159	BFH33B	157	DB21-3-18	116
B18R-18	81	B30B-27	171	BFH36B	167	DB24-3-18	126
B21L-18	89			BFH24B-27	141	DB27-3-18	136
B21R-18	89	Base Cabinet-1 Drawer / 2 Door / Pullouts		BFH27B-27	152	DB30-3-18	146
B12L	87	B24B-PU-18	114	BFH30B-27	165	DB12-3	114
B12R	87	B27B-PU-18	123	BFH33B-27	177	DB15-3	127
B15L	97	B30B-PU-18	132	BFH36B-27	188	DB18-3	141
B15R	97	B24B-PU	151			DB21-3	154
B18L	108	B27B-PU	163	Base Refrigerator End Panel		DB24-3	168
B18R	108	B30B-PU	175	BREP324	35	DB27-3	181
B21L	118	B24B-PU-27	170	BREP327	39	DB30-3	194
B21R	118	B27B-PU-27	184			DB12-3-27	129
B12L-27	98	B30B-PU-27	197	Blind Corner Base Cabinet		DB15-3-27	143
B12R-27	98			BBC36L	130	DB18-3-27	159
B15L-27	110	Base Cabinet-Full-Height Door -(1 Door)		BBC36R	130	DB21-3-27	174
B15R-27	110	BFH9L-18	53	BBC39L	136	DB24-3-27	189
B18L-27	122	BFH9R-18	53	BBC39R	136	DB27-3-27	204
B18R-27	122	BFH12L-18	62	BBC36L-27	147	DB30-3-27	219
B21L-27	133	BFH12R-18	62	BBC36R-27	147		
B21R-27	133	BFH15L-18	70	BBC39L-27	153	Drawer Base-4 Drawers	
		BFH15R-18	70	BBC39R-27	153	DB12-4-18	90
Base Cabinet-1 Drawer / 1 Door / Pullouts		BFH18L-18	78			DB15-4-18	100
B12L-PU-18	78	BFH18R-18	78	Blind Corner Wall Cabinet		DB18-4-18	111
B12R-PU-18	78	BFH21L-18	85	WBC3630-L	118	DB21-4-18	123
B15L-PU-18	87	BFH21R-18	85	WBC3630-R	118	DB24-4-18	133
B15R-PU-18	87	BFH9L	70	WBC3930-L	111	DB27-4-18	144
B18L-PU-18	95	BFH9R	70	WBC3930-R	111	DB30-4-18	155
B18R-PU-18	95	BFH12L	82	WBC3636-L	132	DB12-4	119
B21L-PU-18	104	BFH12R	82	WBC3636-R	132	DB15-4	133
B21R-PU-18	104	BFH15L	93	WBC3936-L	128	DB18-4	148
B12L-PU	103	BFH15R	93	WBC3936-R	128	DB21-4	163
B12R-PU	103	BFH18L	104	WBC3630-L-12	110	DB24-4	177
B15L-PU	115	BFH18R	104	WBC3630-R-12	110	DB27-4	192
B15R-PU	115	BFH21L	113	WBC3930-L-12	104	DB30-4	206
B18L-PU	126	BFH21R	113	WBC3930-R-12	104	DB12-4-27	134
B18R-PU	126	BFH21R	113	WBC3636-L-12	123	DB15-4-27	150
B21L-PU	138	BFH9L-27	79	WBC3636-R-12	123	DB18-4-27	167
B21R-PU	138	BFH9R-27	79	WBC3936-L-12	121	DB21-4-27	184
B12L-PU-27	116	BFH12L-27	93	WBC3936-R-12	121	DB24-4-27	200
B12R-PU-27	116	BFH12R-27	93			DB27-4-27	216
B15L-PU-27	130	BFH15L-27	105	Corner Base Cabinet		DB30-4-27	232
B15R-PU-27	130	BFH15R-27	105	BCC36-CB-L	225		
B18L-PU-27	142	BFH18L-27	117	BCC36-CB-R	225		
B18R-PU-27	142	BFH18R-27	117				
B21L-PU-27	156	BFH21L-27	128	Corner Wall Cabinet			
B21R-PU-27	156	BFH21R-27	128	WCC243012L	107		
				WCC243012R	107		
		Base Cabinet-Full-Height Door -(2 Door)		WCC243014L	111		
Base Cabinet-1 Drawer / 2 Door		BFH24B-18	94	WCC243014R	111		
B24B-18	98	BFH27B-18	102	WCC243612L	118		
B27B-18	106	BFH30B-18	110	WCC243612R	118		
				WCC243614L	122		
				WCC243614R	122		

Weight by Model # (Lbs.)

Drawer Base-5 Drawers	TFBP78	83	GB45-27	168	WO936-12	41
DB12-5-18	93	TFBP84	90	GB48-27	203	
DB15-5-18	105	TFBP90	96	GB51-27	212	Open Shelf Wall Cabinet - 14"
DB18-5-18	117	TFBP95	101	GB54-27	221	Deep
DB21-5-18	129			GB57-27	230	WO1230
DB24-5-18	140	Finished Base Cabinet Side		GB60-27	238	WO1236
DB27-5-18	153	Panel		GB63-27	247	WO1530
DB30-5-18	164	BFEP1345	23			WO1536
DB12-5	124	BFEP345	23	Molding, Square - For Top Of		WO1830
DB15-5	139	BFEP1345-D	26	Wall Cabinets		WO1836
DB18-5	155	BFEP345-D	26	MLD-SQ-1	8	WO2130
DB21-5	172	BFEP1365	24			WO2136
DB24-5	186	BFEP365	24	Open Shelf Base Cabinet		WO2430
DB27-5	203	BFEP1365-D	27	BO12-18	54	WO2436
DB30-5	218	BFEP365-D	27	BO15-18	60	WO2730
DB12-5-27	140	BFEP120	14	BO18-18	67	WO2736
DB15-5-27	157	BFEP20	14	BO21-18	72	WO3030
DB18-5-27	175	BFEP120-D	15	BO24-18	78	WO3036
DB21-5-27	194	BFEP20-D	15	BO27-18	84	WO930
DB24-5-27	210	BFEP122	15	BO30-18	90	WO936
DB27-5-27	229	BFEP22	15	BO33-18	96	
DB30-5-27	246	BFEP122-D	17	BO36-18	102	Hinged Door Trash Cabinet
		BFEP22-D	17	BO12	71	With Drawer/Door
Filler				BO15	80	BWC15-1L
BF15-30	2	Finished Wall Cabinet Side		BO18	89	BWC15-1R
BF3-30	3	Panel		BO21	95	BWC15-2L
BF15-34	2	WFEP12L	5	BO24	103	BWC15-2R
BF3-34	3	WFEP12R	5	BO27	111	BWC18-1L
BF15-36	2	WFEP15L	6	BO30	119	BWC18-1R
BF3-36	3	WFEP15R	6	BO33	127	BWC18-2L
CBF-30	6	WFEP18L	8	BO36	135	BWC18-2R
FW130	2	WFEP18R	8	BO12-27	80	BWC21-1L
FW136	2	WFEP12L-12	5	BO15-27	90	BWC21-1R
FW142	2	WFEP12R-12	5	BO18-27	101	BWC21-2L
FW330	3	WFEP15L-12	6	BO21-27	107	BWC21-2R
FW336	3	WFEP15R-12	6	BO24-27	116	BWC15-1L-27
FW342	4	WFEP18L-12	7	BO27-27	125	BWC15-1R-27
		WFEP18R-12	7	BO30-27	134	BWC15-2L-27
Finished Base Cabinet Back		WFEP30L	12	BO33-27	143	BWC15-2R-27
Panel		WFEP30R	12	BO36-27	152	BWC18-1L-27
FBP36	33	WFEP36L	15			BWC18-1R-27
FBP42	39	WFEP36R	15	Open Shelf Wall Cabinet - 12"		BWC18-2L-27
FBP48	44	WFEP42L	17	Deep		BWC18-2R-27
FBP54	49	WFEP42R	17	WO1230-12	42	BWC21-1L-27
FBP60	55	WFEP30L-12	11	WO1236-12	48	BWC21-1R-27
FBP66	60	WFEP30R-12	11	WO1530-12	48	BWC21-2L-27
FBP72	66	WFEP36L-12	13	WO1536-12	54	BWC21-2R-27
FBP78	71	WFEP36R-12	13	WO1830-12	54	
FBP84	77	WFEP42L-12	15	WO1836-12	61	
FBP90	82	WFEP42R-12	15	WO2130-12	60	
FBP95	87			WO2136-12	67	
TFBP36	39	Grill Base Cabinet		WO2430-12	66	
TFBP42	45	GB27-27	119	WO2436-12	74	
TFBP48	52	GB30-27	127	WO2730-12	73	
TFBP54	58	GB33-27	135	WO2736-12	80	
TFBP60	64	GB36-27	144	WO3030-12	79	
TFBP66	71	GB39-27	152	WO3036-12	87	
TFBP72	77	GB42-27	160	WO930-12	36	

Weight by Model # (Lbs.)

Pullout Door Trash Cabinet	TK648	8	W3618B-12	71	KGB27B-27	83	
With Drawer/Door	TK654	9	W1230L	58			
BWC15-1-PU	118	TK660	10	W1230R	58	Finished Tall Cabinet Side Panel	
BWC15-2-PU	118	TK666	11	W1236L	66	BFEP84-12	29
BWC18-1-PU	129	TK672	12	W1236R	66	BFEP84-12	29
BWC18-2-PU	129	TK678	13	W1242L	74	BFEP86-12	30
BWC21-1-PU	150	TK684	14	W1242R	74	BFEP86-12	30
BWC21-2-PU	150	TK690	15	W1530L	67	BFEP84-18	42
BWC15-1-PU-27	131	TK695	15	W1530R	67	BFEP84-18	42
BWC15-2-PU-27	131			W1536L	76	BFEP86-18	43
BWC18-1-PU-27	144	Wall Cabinet-Full-Height Door		W1536R	76	BFEP86-18	43
BWC18-2-PU-27	144	W1230L-12	53	W1542L	85	BFEP84-24	55
BWC21-1-PU-27	167	W1230R-12	53	W1542R	85	BFEP84-24	55
BWC21-2-PU-27	167	W1236L-12	60	W1830L	76	BFEP86-24	57
		W1236R-12	60	W1830R	76	BFEP88-24	57
Side Burner Cabinets		W1242L-12	68	W1836L	86		
BSB15-27L	86	W1242R-12	68	W1836R	86	Filler - Tall Cabinet	
BSB15-27R	86	W1530L-12	61	W1842L	96	BF15-84	4
BSB18-27L	94	W1530R-12	61	W1842R	96	BF3-84	7
BSB18-27R	94	W1536L-12	70	W2130L	85	BF15-86	4
BSB21-27L	102	W1536R-12	70	W2130R	85	BF3-86	7
BSB21-27R	102	W1542L-12	78	W2136L	96		
BSB24B-27	111	W1542R-12	78	W2136R	96		
		W1830L-12	70	W2142L	107	Tall Cabinet-Full-Height Upper/Lower Door	
Sink Base-False Drawer Face		W1830R-12	70	W2142R	107	TC12L-12	108
SB18L	85	W1836L-12	79	W930L	49	TC12R-12	108
SB18R	85	W1836R-12	79	W930R	49	TC15L-12	122
SB21L	92	W1842L-12	88	W936L	56	TC15R-12	122
SB21R	92	W1842R-12	88	W936R	56	TC18L-12	137
SB18L-27	96	W2130L-12	78	W942L	63	TC18R-12	137
SB18R-27	96	W2130R-12	78	W942R	63	TC21L-12	149
SB21L-27	104	W2136L-12	88	W2430B	96	TC21R-12	149
SB21R-27	104	W2136R-12	88	W2436B	108	TC12L-18	162
SB24B	101	W2142L-12	99	W2442B	120	TC12R-18	162
SB27B	109	W2142R-12	99	W2730B	105	TC15L-18	183
SB30B	116	W930L-12	44	W2736B	118	TC15R-18	183
SB33B	124	W930R-12	44	W2742B	130	TC18L-18	205
SB36B	131	W936L-12	51	W3030B	114	TC18R-18	205
SB24B-27	114	W936R-12	51	W3036B	128	TC21L-18	223
SB27B-27	123	W942L-12	57	W3042B	141	TC21R-18	223
SB30B-27	131	W942R-12	57	W3012B	53	TC12L	216
SB33B-27	140	W2430B-12	88	W3015B	60	TC12R	216
SB36B-27	148	W2436B-12	99	W3018B	67	TC15L	244
		W2442B-12	110	W3312B	57	TC15R	244
Toe Kick		W2730B-12	96	W3315B	65	TC18L	273
TK436	4	W2736B-12	109	W3318B	72	TC18R	273
TK442	5	W2742B-12	121	W3612B	61	TC21L	297
TK448	6	W3030B-12	105	W3615B	69	TC21R	297
TK454	6	W3036B-12	118	W3618B	77	TC24B-12	164
TK460	7	W3042B-12	131			TC27B-12	178
TK466	7	W3012B-12	49	20 Lb Propane Tank Pullout Shelf		TC24B-18	246
TK472	8	W3015B-12	55	PT-PU	7	TC27B-18	266
TK478	9	W3018B-12	62			TC24B	328
TK484	9	W3312B-12	53	Kamado Grill Base Cabinet		TC27B	355
TK490	10	W3315B-12	60	KGB24B	66		
TK495	10	W3318B-12	67	KGB27B	74		
TK636	6	W3612B-12	56	KGB24B-27	74		
TK642	7	W3615B-12	64				



DESAVINO & SONS INC.
1003 UNDERWOOD ROAD | OLYPHANT, PA 18447
P 888.889.2314 | F 570.382.8237
E-MAIL: orders@openaircabinetry.com
openaircabinetry.com



FAMILY OWNED
AMERICAN MADE