

**HARVIA**

Sauna & Spa

# ELECTRIC SAUNA HEATERS



EN

# Relaxing Moments & Natural Wellbeing

*Founded by Tapani Harvia in 1950, this sauna heater manufacturer has grown into an international sauna and spa company. We provide everything for your sauna.*

*In a Harvia sauna, the essential elements of nature – wood, stone and water – combine to create a relaxing oasis of well-being. The sauna is a comprehensive experience that lets you enjoy the natural well-being that stems from Finnish sauna traditions.*

*The soft heat of the sauna has a positive effect on your health. For example, it improves blood circulation, reduces the risk of heart disease, helps muscles recover, deepens sleep, reduces stress and relaxes both physically and mentally.*

*The soft and steady heat emitted by the heater is the heart of the perfect sauna experience. The heater is the heart of your sauna – the source of a relaxing sauna bath. Harvia's popular heaters have always been pioneers – elegant, durable and economical.*

*We value nature and its diversity. That is why we want to take care of its purity by developing products that are safe to use, long-lasting, and as environmentally friendly as possible. All Harvia products go through various tests before they end up to customers. Harvia's versatile range of heaters makes it easy to choose a heater that suits your needs and meets North American standards.*

---

## Content

<i>Healing with heat</i>	3
<i>Relax in the heat of Harvia's electric sauna heaters</i>	4
<i>Selecting a heater</i>	5
<i>MyHarvia</i>	6
<i>Vega Compact R</i>	7
<i>KIP</i>	8
<i>The Wall</i>	9
<i>Cilindro H</i>	10
<i>Forte</i>	11
<i>Club</i>	12
<i>Virta</i>	13
<i>Control units</i>	14
<i>Harvia accessories</i>	16
<i>Harvia sauna heater stones</i>	18

<b>TECHNICAL DATA</b>	<b>20</b>
-----------------------	-----------

# Healing with heat

## SIX HEALTH FACTS ABOUT SAUNA

- 1 **Sauna's heat is good for the heart.** Taking 2–3 sauna baths per week is enough to lower the risk of cardiovascular disease by 20% compared to those sauna bathing only once a week. The risks may decrease by up to 65% the more one sauna bathes. <sup>1</sup>
- 2 **Sauna bathing improves sleep quality.** A study investigating the connection between sauna bathing and sleep saw a 70% increase in deep sleep during the first two hours and 45% increase in six hours. There was a statistically significant decrease in the participants' staying-up time after sauna bathing. <sup>2</sup>
- 3 **Sauna bathing is exercise.** The heat of the sauna makes the heart pump blood faster, expanding the blood vessels and relieving the heart. <sup>3</sup>
- 4 **Sauna bathing improves memory.** Sauna bathing twice a week decreases the risk of dementia by one fifth compared to those sauna bathing only once a week. The risk is up to 60% less for people sauna bathing 4–7 times a week. <sup>4</sup>
- 5 **Sauna bathing cherishes the skin.** The heat of the sauna multiplies the amount of blood pumping through superficial veins, which boosts the skin's metabolism. The skin feels nourished, maintains moisture and stays soft and elastic. <sup>5</sup>
- 6 **Sauna bathing treats muscles.** Sauna is a great place for relaxing tense muscles. However, sauna bathing before exercise prevents muscle pains and increases muscle mobility afterwards. <sup>6</sup>

1 Laukkanen, Kunutsor, Zaccardi, Lee, Willeit, Khan, Laukkanen: Acute effects of sauna bathing on cardiovascular function. *Journal of Human Hypertension* 2017.

2 Putkonen ja Elomaa. Sauna and physiological sleep: Increased slow-wave sleep after heat exposure. 1976.

3 Brunt, Howard, Francisco, Ely, Minson: Passive Heat Therapy Improves Endothelial Function, Arterial Stiffness and Blood Pressure in Sedentary Humans. *J Physiol*. 2016.

4 Laukkanen, Kunutsor, Kauhanen, Laukkanen: Sauna bathing is inversely associated with dementia and Alzheimer's disease in middle-aged Finnish men. *Age and ageing* 2017.

5 Matti Hannuksela: Sauna ja terveys. *Lääkärikirja Duodecim* 2012.

6 Khamwong, Paungmali, Pirunsan, Joseph: Prophylactic Effects of Sauna on Delayed-Onset Muscle Soreness of the Wrist Extensors. *Asian J Sports Med*. 2015.



## *Relax in the heat of Harvia's electric sauna heaters*

The sauna is a place of relaxation where you can enjoy the best soft sauna bath. At its best, a sauna heater is a part of the decor; the heart of the sauna that gives the best heat and serves the bather for a long time.

Harvia's popular electric heater models are designed to give you the best sauna bath experience in daily use, year after year. Every heater contains top-of-the-line technology and is economical and pleasant to use. Our extensive selection contains heaters for all decors as well as solutions for small saunas, family saunas and large public saunas alike.

### *The quality of Harvia electric sauna heaters is a result of decades of cooperation*

At Harvia, we are inspired by the sauna and the comprehensive sense of well-being brought on by its heat. That is why we want our electric heaters to always provide you with the best sauna experience.

We invest in continuous product development and research to ensure the high quality and safety of our products. We only use first-class components, paying attention to every detail. The usability of our sauna heaters and their appearance that suits the decor will ensure a pleasant sauna bathing experience. You will be sure to find a suitable heater from Harvia's selection of electric sauna heaters and their accessories.





## Selecting a heater

The electric heater is part of the sauna's interior design and ambience. Find the right design from Harvia's range of electric heaters. A properly built sauna room is a very important factor in getting the most out of your heater. The stove power is selected based on the size and material of the sauna.

An average of 1 kW of power is required for each cubic metre of sauna volume. The power requirement increases if there are window surfaces or heat-storing surfaces such as brick or concrete in the sauna.



Remember to use only electric heaters that are approved for use as a sauna heating appliance.

All electric heaters in this brochure are ETL or UL approved and are safe to use in the sauna. Remember to always check local and other requirements for electric sauna heater appliances (i.e. home insurance requirements).

All the electric heaters presented in this brochure have been approved by the following institutions.



These products meet the criteria of high quality and local requirements.



# MyHarvia

## Safe and easy remote control of your sauna

Harvia WiFi solutions, combined with the MyHarvia mobile app, have been designed to allow the safe and easy remote control of your sauna. These solutions allow you to switch on the sauna heater remotely and control other features that will save energy, as your sauna will be ready exactly when you are.

You can control the features of the Harvia Xenio WiFi control panel from your mobile device from anywhere and at any time using the MyHarvia mobile app.

Download  
**MyHarvia**



See more: [myharvia.com](http://myharvia.com)



## *A masterpiece of ergonomics*

### *Vega Compact R*

The **Harvia Vega Compact R** is a true powerhouse heater for small saunas. The heater's operating switches are located near the top of the heater, making the heater easy and ergonomic to use. The Vega Compact R can be installed particularly low on the sauna wall. This allows the heat to spread evenly throughout the sauna, ensuring that the lower benches also enjoy plenty of heat.

The Vega Compact R is easy to install. Just install the wall rack, lift the heater onto it and secure it in place with one screw. The heater is made of stainless steel.

The Vega Compact R models are equipped with a built-in control unit.



**VEGA COMPACT R**





## A traditional heater favourite

### KIP

The **Harvia KIP** heater is a traditional wall-mounted sauna heater with built-in controls. The heater is constructed with stainless steel and includes a protective stone guard. The heater has a large stone cavity for maximum heat release, and the dual wall construction allows the exterior to remain cool to the touch. The left dial controls the temperature and the right dial is the on/off control along with a delay timer. You can set the heater to turn on up to 8 hours after it is set, and the heater will automatically shut off after 60 minutes of operation.



KIP





## Easy-to-use wall-mounted heater

### The Wall

**Harvia The Wall** electric heater for medium-sized sauna rooms combines minimalistic Scandinavian design and user-friendly operation with top quality. The Wall is a compact, stylish, and reliable ensemble, that is suitable for various types of sauna interiors. The heater's stylish shiny surface provides a modern touch for your sauna.

With the illuminated and easy-to-use control switches you can adjust the heater's temperature and timer to start whenever you need it ready - such as after an exercise session or a workday. The heater can be installed in both left and right-handed directions. The practical form provides more flexibility when designing a sauna interior, for example, The Wall can be integrated in the sauna bench.

Long service life is guaranteed by high quality materials and a smart, sturdy structure. Extra-long heating elements will last longer and transfer heat more smoothly to the stones and sauna room.

The Wall heater's design allows improved air circulation making the sauna room's temperature more consistent, so that you can enjoy steady warmth. The unique Harvia mounting/wall rack included in the delivery determines the minimum safety distance between the heater and the floor. Installing the heater is quick and easy.



**THE WALL**  
Avec panneau de commande intégré



#### ACCESSORIES



Embedding flange  
HSW1



Illuminated  
protective sheath  
HSWU5L



## Pillar heater – a top-class steam giver

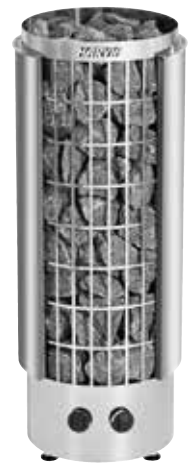
### Cilindro H

The **Harvia Cilindro H** electric heater has an outer casing that is partially open at the front, allowing users to enjoy the benefits of a large stone surface and place the heater containing a massive amount of stones in a small space. You can adjust between gentle and sharp steam by throwing water in the middle or on top of the stone pillar.

Cilindro heaters are available either with a built-in control panel or a separate control unit.



**CILINDRO H**



**CILINDRO H**  
With built-in control panel



### ACCESSORIES



Embedding flange  
HPC2  
(6/8 kW)



Illuminated  
embedding flange  
HPCU2L  
(6/8 kW)



Safety railing  
HPC3  
(6/8 kW)



Safety railing with  
LED lights  
HPCU3L  
(6/8 kW)



Safety railing  
HPC4  
(11 kW)



Safety railing with  
LED lights  
HPCU4L  
(11 kW)



Embedding flange  
HPC7  
(11 kW)



Illuminated  
embedding flange  
HPCU7L  
(11 kW)

### RECOMMENDED PRODUCTS



Xenio  
control unit



Xenio WiFi  
remote kit



## Perfect sauna enjoyment 24/7

### Forte

The always-ready Finnish **Harvia Forte** heater provides you with a perfect moment of relaxation in no time at all to punctuate your hectic schedule. The Forte is Harvia's innovative version of the heat-storing electric heater, combining top-of-the-range heater technology with a sleek design. Just grab a towel, lift the Forte's cover and climb onto the bench to enjoy humid and gentle steam. Welcome to a stress-free zone 24/7.

The Forte is equipped with a separate splash-proof control panel.



**FORTE**

### ACCESSORIES



Embedding flange  
HAF1

 For more technical information, see page 24



## A super heater for a large club

### Club

The Harvia Club heater is a heavy duty heater with enough steam for a large group of users, from morning till night. Heaters used in large saunas or on a continuous basis must be functional, efficient and comfortable to use. The impressive floor-mounted Club electric heater with a steel outer shell is perfect for this purpose after all, it represents the world-famous quality of Harvia. Equipped with a separate control unit, the Club super heater is excellently suited for apartment buildings, hotels, holiday resorts, sports centres and swimming halls as well as large family saunas. Choose Club when you demand super power and durability from your heater.



**CLUB**

### RECOMMENDED PRODUCTS



Xenio control unit



Xenio WiFi remote kit

# Strong, practical and simple yet stylish electric heaters

## Virta

The **Harvia Virta** is a sturdy heater that provides soft steam for those who appreciate a traditional sauna experience.



**VIRTA**

The **Harvia Virta Combi** is a combined electric heater and steamer that provides a variety of sauna experiences. You can select between a traditional Finnish sauna, a steam sauna, a herbal sauna or an aromatic sauna. The Combi heater is the right choice for those who enjoy soft and humid steam and the atmosphere created by fragrances. The water tank holds 5 litres – the tank is filled either by manually pouring water into the tank or automatically from a water outlet. The heater has a soapstone cup to hold sauna fragrances and a stainless steel grate for bagged aromatic fragrances. The Combi system is reliable and easy to use.



**VIRTA COMBI**

**Harvia Virta Pro** models provide abundant heating power for saunas installed in spas, hotels and apartment buildings, for example. Thanks to its strong construction, heating elements divided into two groups and exceptional ease of maintenance, the Virta Pro heater is an excellent choice for heavy duty use.



**VIRTA PRO**

### ACCESSORIES



Safety railing HL1-HL5 package includes mounting brackets (steel and black)

### RECOMMENDED PRODUCTS



Xenio control unit



Xenio WiFi remote kit



LTY45-U1-U3 additional power unit



Control units

## Control with just a touch

### Xenio control unit

The Harvia Xenio control unit provides a modern and subtly stylish interface for controlling the heart of the sauna, be it a traditional electric heater, Combi heater with a steamer. The compact yet clear touch control panel can be surface-mounted in almost any space – sauna, washroom, dressing room or even the living room. The control panel shows you when the sauna is at the right temperature for bathing.



## Xenio WiFi remote kit

### Xenio CX004WIFI

The modern and stylish Harvia Xenio WiFi remote kit is a sauna control panel that you can connect to the Harvia Xenio control unit. The control panel can be connected to a wireless LAN, allowing you to enjoy wireless functions with the MyHarvia mobile application. The MyHarvia mobile application enables the remote control of functions on the control panel, such as temperature and humidity control, lighting, ventilation, temperature calibration, memory function in case of power out ages, timed starting, and use of a weekly scheduler. The features vary depending on the devices attached to the system. Harvia Xenio WiFi enables a variety of installation options and can also be easily installed afterwards to replace the old control panel.

The door sensor of the sauna's remote starting status can be activated straight from the control panel. Learn more about the free MyHarvia application in Google Play or Apple App Store!



## More power for the control units of electric heaters

The Harvia power extension unit is for expanding the output ranges of control units. The power extension unit is used for controlling electric heaters in public saunas in connection with the Harvia Xenio control unit. There are three power extension units available: LTY45-U1-U3, LTY45C-U1 and LTY45C-U3. Please see the user manual for more detailed information.



FEATURES	Separate control + power unit					
	XENIO CX1502401-15	XENIO CX1502083-15	XENIO CX30-U1-U3	XENIO CX45-U1-U3	XENIO COMBI CX30C-U1	XENIO COMBI CX30C-U3
Maximum control power	15 kW / 240 V 1Ph	15 kW / 208 V 3Ph	11 kW / 240 V 1Ph 10,5 kW / 208 V 3Ph	17 kW / 240 V 1Ph 15 kW / 208 V 3Ph	12,7 kW / 240 V 1Ph	10,8 kW / 208 V 3Ph
Electric heater control	X	X		X	X	X
Combi heater control					X	X
Infrared sauna control						
Lighting control	X	X	X	X	X	X
Color lights control						
Operation time adjustment range	1 h / 0 - 24 h	1 h / 0 - 24 h	1 h / 0 - 24 h	1 h / 0 - 24 h	1 h / 0 - 24 h	1 h / 0 - 24 h
Temperature setting	X	X	X	X	X	X
Preselection timer	0 - 12 h	0 - 12 h	0 - 12 h	0 - 12 h	0 - 12 h	0 - 12 h
Air humidity setting					X	X
Evaporator control					X	X
Ventilator control	X	X	X	X	X	X
Settings memory in case of power outage	X	X	X	X	X	X
Screen	Digital	Digital	Digital	Digital	Digital	Digital
Fault diagnosis	X	X	X	X	X	X
Digital thermometer	X	X	X	X	X	X
Remote switch-on	On/off	On/off	On/off	On/off	On/off	On/off
Weekly timer						
Door switch control						
Safety switch control	X	X	X	X	X	X
Child lock	X	X	X	X	X	X
Additional power unit			LTY45-U1-U3	LTY45-U1-U3	LTY45C-U1	LTY45C-U3
Temperature sensor	X	X	X	X	X	X
Humidity sensor					X	X
Dual sensor system (temperature can be measured with multiple sensors)					X	X

## Complete your sauna with Harvia accessories

### Harvia accessories



#### Protective illuminated glass sheath for wall-mounted sauna heaters

Harvia's protective glass sheath (HSW5L) is a recommended way to increase the safety of sauna bathers around a wall-mounted sauna heater. Made of opti white glass, this beautiful and airy-looking protective sheath completes your sauna interior. The protective glass sheath is tempered, making it safe to use. The protective sheath reflects soft LED light beautifully and completes the ambience of your sauna interior. The protective glass is also available without illumination (HSW5).



#### Embedding flanges

With a stylishly slick embedding flange, you can embed your heater in the bench, giving your sauna an impressive and sleek look. The embedding flange is made of stainless steel. You can find more information on heater-specific embedding flanges at [www.harvia.fi](http://www.harvia.fi).

#### Sauna Care Set

By caring for your wood surfaces regularly you can extend the lifespan of your sauna. The Harvia Sauna Care Set is designed for treating the wood surfaces of the sauna and cleaning the sauna facilities. The set includes one bottle of cleanser for the sauna, paraffin oil, a sponge, protective gloves and sandpaper.

#### Paraffin oil, Sauna cleanser

The paraffin oil by Harvia is an oil treatment for wood surfaces that reduces the amount of humidity and dirt absorbed into the benches, thus increasing their life span. Colourless paraffin oils is suitable for all wood surfaces.

The Harvia Sauna Cleanser cleanses your sauna effectively and conveniently. Keep your sauna clean by always keeping the cleaning products of the reliable sauna expert at hand. A well-maintained sauna will last longer, and as the saying at Harvia goes, "cleanliness is half the bath".

#### Sauna Heater cleanser

Harvia Sauna Heater cleanser brings shine to your sauna. Sauna Heater Cleanser is suitable for cleaning stainless steel heaters and other acid-resistant surfaces (e.g. tile, glass, porcelain). The substance also effectively removes limescale stains.

#### Sauna fragrances

The sauna fragrance by Harvia creates an atmosphere that provides wonderfully indulgent sauna experiences. The Harvia sauna fragrances contain essential oils and create just the kind of atmosphere you want in your sauna. The selection includes the following 13,5 oz (400 ml) scents: eucalyptus, birch, pine, peppermint and tar.

#### Click sauna pail and ladle

The Harvia Click pail and ladle set and its clear-lined design are suitable for modern saunas. The sleek black color of the set alternates beautifully on the details of the matt and glossy surface. The set includes pail & ladle which are manufactured in Finland from recycled plastic materials.

#### Pail and ladle Steel black

The beautiful and simplified Harvia pail and ladle will be the perfect finishing touch to your sauna decoration. The volume of the pail is 4 l.



SAC25070



SAC25060

SAC25040



SAC25041



SA009



SAC10111



### Legend sauna accessories

The Legend sauna accessory selection includes a ladle, water bucket, thermometer, firewood rack and clothes hanger. The ladle, water bucket and firewood rack have wooden handles made of wood that does not get too hot in the heat of the sauna. The thermometer and clothes hanger are made out of heat-treated aspen and finished with black steel details. You can see the spirit of craftsmanship in all Legend sauna accessories.



### Sauna accessories set

The Harvia sauna accessories set includes a stainless steel bucket and ladle and an easy-to-read thermo/hygrometer. The Harvia sauna accessories set goes with your sauna like water goes with the sauna stones – and puts a finishing touch on your stylish interior design scheme. Stainless steel withstands changes in humidity and temperature remarkably well, making it a long-lasting material for heavy-duty use. The handles are made of non-heating wood that is pleasant to take a hold of. The Harvia sauna set is also a great idea for a high-quality gift.



### Bucket

The Harvia wooden buckets (4/7 l) and pail are high-quality work. The plastic inner part gives the product a longer life and makes cleaning easy.



### Sauna ladle

A wooden sauna ladle can be treated with products suitable for the wood surfaces in the sauna, if desired. Ladle length: 36 / 48 cm. There is a loop at the end of the ladle for hanging the product. Allow the ladle to dry after every sauna bath.

### Stool

The stool is made out of alder. You can use products intended for the wood materials in the sauna to treat the stool.



### Thermometers & hygrometers

Choose reliable quality with Harvia accessories. The Harvia thermometers and hygrometers reliably indicates the air temperature and humidity level in your sauna. Enjoy a sauna experience that is exactly as hot and humid as you like.



### Harvia by Luhta textiles

Harvia by Luhta sauna textiles are made of high-quality waffle linen cotton that feels pleasant on the skin and gives the towels a modern, natural look. The textiles have excellent absorption capacity and dry up quickly after use. The simply stylish and timeless design completes your sauna experience, and it is nice to wrap a large towel around your-self after a relaxing sauna session.



Towel  
SAC80303  
80 x 160 cm

Wrap towel  
SAC80304  
70 x 150 cm

Seat cover  
SAC80301  
45 x 50 cm

Sauna cushion  
SAC80300  
22 x 40 cm

Bench cover  
SAC80302  
45 x 150 cm



## *Harvia sauna heater stones*

Sauna stones are often overlooked but remain one of the most important parts of the sauna. Appropriate quality, size, and placement of stones in the heater can have a significant effect on the heat retention and steam generation in the sauna.

Harvia heater stones fit to all sauna heaters – guaranteed by our constant quality control with the Geological Survey Institute of Finland. For this reason, our stones are always safe, clean, and ready to use – worldwide.

Sauna stones must be quarried and selected carefully to pass quality control, which confirms they are safe under intense heat and do not release any emissions. Harvia sauna stones are known to be safe under the intense temperatures of the sauna and retain heat for maximum efficiency.

All stones are thoroughly hand-selected and pre-washed so that replacing them is made easy every time. Prioritizing sustainability, stones that don't meet the quality standards are repurposed for construction and other industries.

### **Annual replacement of sauna stones:**

- extends the lifetime of the sauna heater
- saves energy
- saves the sauna interior
- guarantees the best sauna bath and steam experience

## Sauna heater stones

### Olivine diabase sauna heater stones

Olivine diabase is a traditional sauna heater stone with excellent properties. It is suitable for use in electric sauna heaters and as a surface stone for wood-burning sauna stoves. Durable in structure and high in specific gravity, olivine diabase retains and dissipates heat well, offering an excellent steam bath. The stones do not contain any harmful substances.

AC3000 Ø 2–4 in (5–10 cm) , 44 lb/box (20 kg)



### Elite heavy duty sauna heater stones

Harvia Elite heavy duty sauna heater stones are made from the finest Finnish olivine diabase and heat-treated at approximately 1,800 Fahrenheit (1,000 °C), resulting in a long service life and making them an excellent choice for frequently heated saunas.

AC3050 Ø 2–4 in (5–10 cm) , 44 lb/box (20 kg) available from February 2022



### Black Vulcanite sauna heater stones

Black Vulcanite sauna heater stones are made of fine-grained, dark grey volcanic rock. When wet, they turn black, adding a unique touch to the look of the sauna. Vulcanite tolerates heat fluctuations very well. The stone also has an excellent thermal conductivity, as well as a good specific weight and thermal storage capacity, making it an excellent choice of sauna heater stone in addition to its attractive appearance.

AC3040 Ø 2–4 in (5–10 cm) , 44 lb/box (20 kg) available from February 2022



### Rounded sauna heater stones

Rounded Olivine Diabase sauna heater stones resemble nature's rounded stones from the great rapids. The use of this stone introduces a soft steam method; the pouring water runs easily down to the lower stone layers. This way the water reaches more surface area, generating more steam with a softer touch. This method of using rounded stones on the top layer of the heater works in all sauna heaters.

We recommend the use of larger standard Olivine Diabase stones in the bottom layers as they give more heating surface area for the water. This combination provides the best result for soft steam and effective heat generation, especially in heaters with smaller stone capacity.

R-991 Ø 2–4 in (5–10 cm) , 33 lb/box (15 kg)



## Decorative stones

### Red Granite

Red granite is an impressive decorative stone that ensures a soft steam bath and a warm atmosphere in the sauna. The stones have a diameter of 2-4 inches (5–10 cm) and are intended to be used as a decorative top layer. The decorative stones do not possess all of the same properties as traditional sauna heater stones, and, over time, they may crumble and become discolored. To ensure adequate air circulation, the stones must be laid loosely in the stone space so that they do not touch the heating element. The stones do not contain any harmful substances.

AC5000 Ø 2–4 in (5–10 cm) , 22 lb/box (10 kg) available from February 2022



### White decorative stones

White decorative stones ensure a soft steam bath and add a fresh touch to the sauna. The stones have a diameter of 2-4 inches (5–10 cm) and are intended to be used as a decorative top layer. The decorative stones do not possess all of the same properties as traditional sauna heater stones, and, over time, they may crumble and become discolored. To ensure adequate air circulation, the stones must be washed before use and laid loosely in the stone space so that they do not touch the heating element. The stones do not contain any harmful substances.

AC4000 Ø 2–4 in (5–10 cm) , 22 lb/box (10 kg) available from February 2022

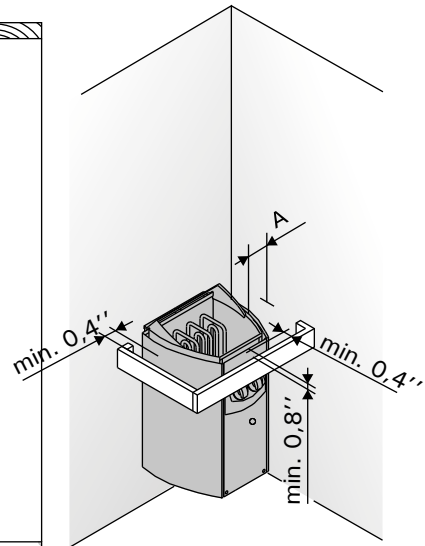
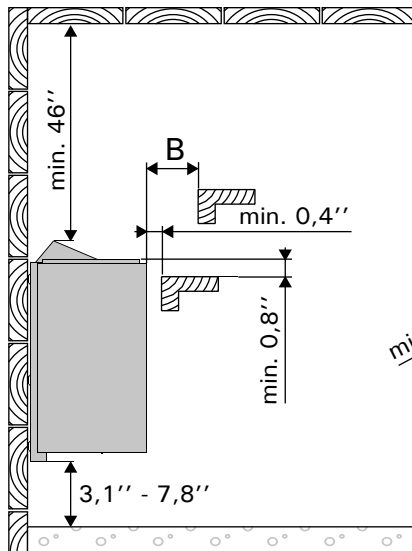
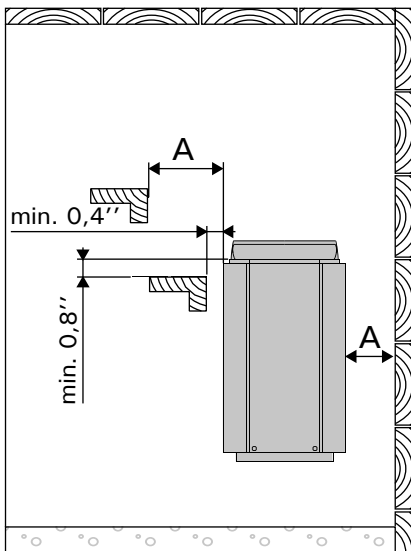


# Vega Compact R

TECHNICAL DATA																
Heater	Output kW	Voltage and Phase	Dimensions				Stones max 2-4 in 5-10 cm		Sauna room							
			Width/Depth/Height		Weight				Cubic vol.		Floor Area		Height			
			inch	mm	lb	kg	lb	kg	min. CuFt/m <sup>3</sup>	max. CuFt/m <sup>3</sup>	min. sqft	max. sqft	min. inch/mm			
HCBU1712241	1.7	110-120VAC/ 220-240VAC 1ph	11/11/21	280/280/535	15.4	7	28.5	13	70.5	2	106	3	11.3	17	75	1900
HCBU1912241	1.9	110-120VAC/ 220-240VAC 1ph	11/11/21	280/280/535	15.4	7	28.5	13	70.5	2	106	3	11.3	17	75	1900
HCBU352401	3.5	220-240VAC 1ph	11/11/21	280/280/535	16.1	7.3	28.5	13	70.5	2	175	5	11.3	28	75	1900

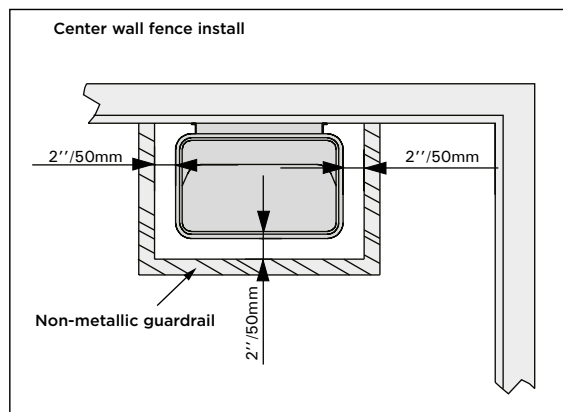
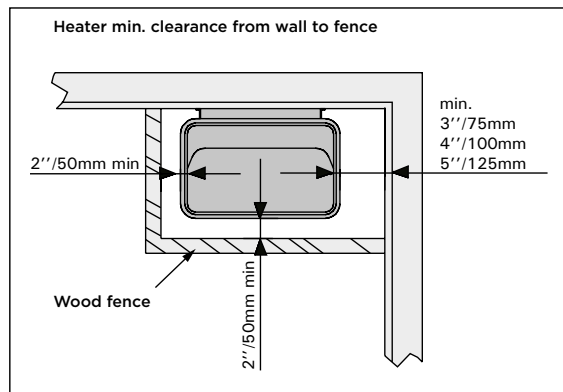
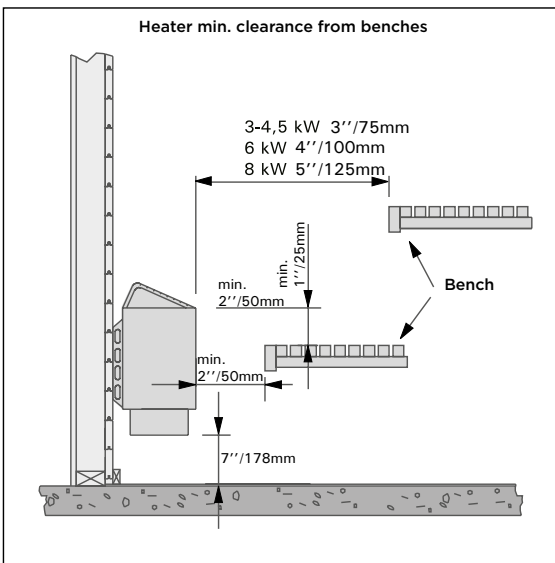
## SAFETY DISTANCES

A min.	B min.
0,8''	3,1''



TECHNICAL DATA																
Heater	Output kW	Voltage and Phase	Dimensions				Stones max 2-4 in 5-10 cm		Sauna room							
			Width/Depth/Height		Weight		Cubic vol.				Floor Area		Height			
			inch	mm	lb	kg	lb	kg	min. CuFt/m <sup>3</sup>	max. CuFt/m <sup>3</sup>	min. sqft	max. sqft	Min. USA/CANADA			
													inch	mm		
JH30B2401	3.0	240VAC, 1 ph, 60Hz	16.14/11.0/23.6	410/280/600	35.3	16	55	25	84	2.4	130	3.7	10	20	75/78	1900/1980
JH30W2401	3.0	240VAC, 1 ph, 60Hz	16.14/11.0/23.6	410/280/600	35.3	16	55	25	84	2.4	130	3.7	10	20	75/78	1900/1980
JH30W2083	3.0	208VAC, 3ph, 60Hz	16.14/11.0/23.6	410/280/600	35.3	16	55	25	84	2.4	130	3.7	10	20	75/78	1900/1980
JH45B2401	4.5	240VAC, 1 ph, 60Hz	16.14/11.0/23.6	410/280/600	35.3	16	55	25	100	2.8	210	6	16	30	75/78	1900/1980
JH45W2401	4.5	240VAC, 1 ph, 60Hz	16.14/11.0/23.6	410/280/600	35.3	16	55	25	100	2.8	210	6	16	30	75/78	1900/1980
JH45W2083	4.5	208VAC, 3ph, 60Hz	16.14/11.0/23.6	410/280/600	35.3	16	55	25	100	2.8	210	6	16	30	75/78	1900/1980
JH60B2401	6.0	240VAC, 1 ph, 60Hz	16.14/11.0/23.6	410/280/600	35.3	16	55	25	170	4.8	300	8.5	28	40	75/78	1900/1980
JH60W2401	6.0	240VAC, 1 ph, 60Hz	16.14/11.0/23.6	410/280/600	35.3	16	55	25	170	4.8	300	8.5	28	40	75/78	1900/1980
JH60W2083	6.0	208VAC, 3ph, 60Hz	16.14/11.0/23.6	410/280/600	35.3	16	55	25	170	4.8	300	8.5	28	40	75/78	1900/1980
JH80B2401	8.0	240VAC, 1 ph, 60Hz	16.14/11.0/23.6	410/280/600	35.3	16	55	25	250	7.1	425	12	40	65	75/78	1900/1980
JH80W2401	8.0	240VAC, 1 ph, 60Hz	16.14/11.0/23.6	410/280/600	35.3	16	55	25	250	7.1	425	12	40	65	75/78	1900/1980
JH80W2083	8.0	208VAC, 3ph, 60Hz	16.14/11.0/23.6	410/280/600	35.3	16	55	25	250	7.1	425	12	40	65	75/78	1900/1980

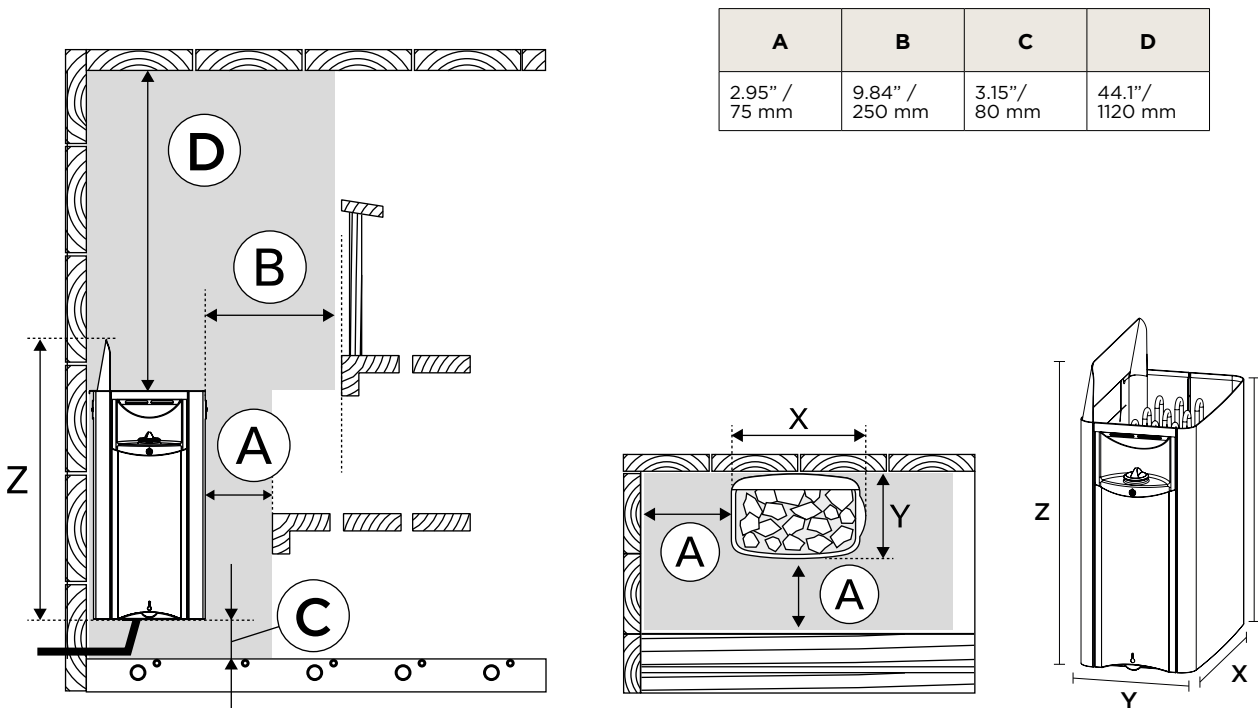
**SAFETY DISTANCES**



# The Wall

TECHNICAL DATA																
Heater	Output kW	Voltage and Phase	Dimensions				Stones max 2-4 in 5-10 cm		Sauna room							
			Width/Depth/Height		Weight		Cubic vol.				Floor Area		Height			
			inch	mm	lb	kg	lb	kg	min. CuFt/m <sup>3</sup>	max. CuFt/m <sup>3</sup>	min. sqft	max. sqft	Min. USA/CANADA			
													inch	mm		
HSWS6U1B	6.0	240VAC, 1 ph, 60Hz	17 / 10,2 / 27,6	430 / 260 / 700	32	14,3	44	20	177	5	294	8	28	47	75	1900
HSWS6U3B	6.0	208VAC, 3ph, 60Hz	17 / 10,2 / 27,6	430 / 260 / 700	32	14,3	44	20	177	5	294	8	28	47	75	1900
HSW6U1B	6.0	240VAC, 1 ph, 60Hz	17 / 10,2 / 27,6	430 / 260 / 700	32	14,3	44	20	177	5	294	8	28	47	75	190
HSW6U3B	6.0	208VAC, 3ph, 60Hz	17 / 10,2 / 27,6	430 / 260 / 700	32	14,3	44	20	177	5	294	8	28	47	75	1900
HSWS8U1B	8.0	240VAC, 1 ph, 60Hz	17 / 10,2 / 27,6	430 / 260 / 700	32,5	14,6	44	20	177	5	294	8	28	69	75	1900
HSWS8U3B	8.0	208VAC, 3ph, 60Hz	17 / 10,2 / 27,6	430 / 260 / 700	32,5	14,6	44	20	177	5	294	8	28	69	75	1900
HSW8U1B	8.0	240VAC, 1 ph, 60Hz	17 / 10,2 / 27,6	430 / 260 / 700	32,5	14,6	44	20	177	5	294	8	28	69	75	19
HSW8U3B	8.0	208VAC, 3ph, 60Hz	17 / 10,2 / 27,6	430 / 260 / 700	32,5	14,6	44	20	177	5	294	8	28	69	75	1900

## SAFETY DISTANCES

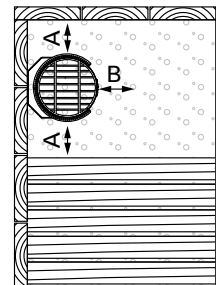
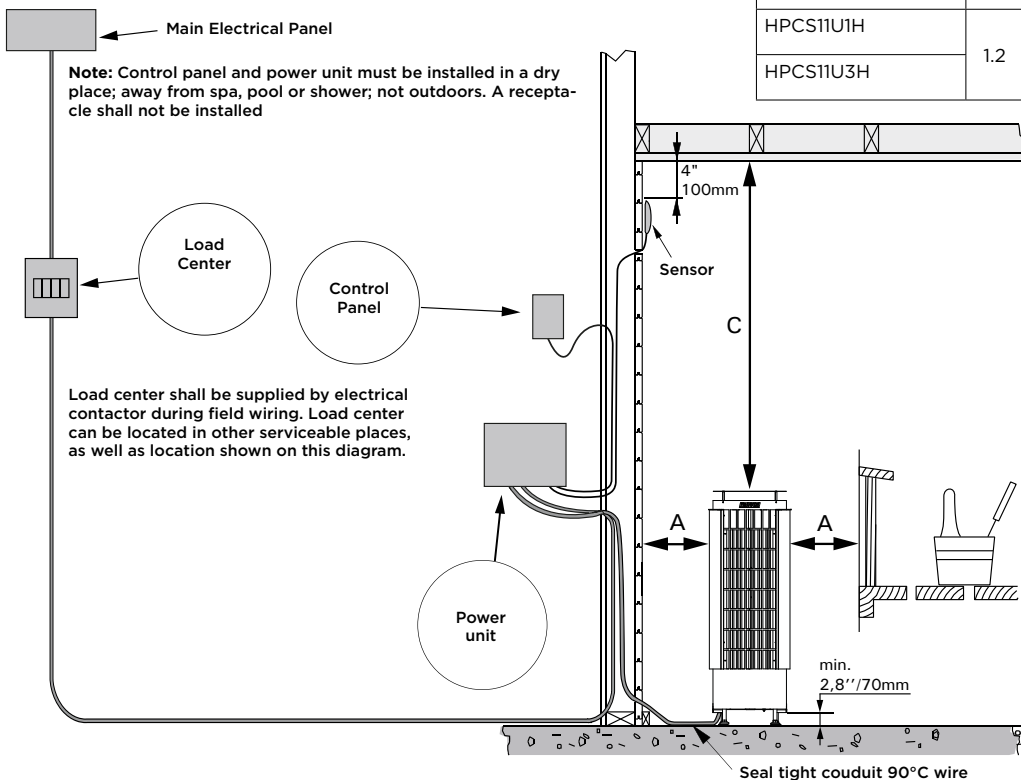


# Cilindro

TECHNICAL DATA																
Heater	Output kW	Voltage and Phase	Dimensions				Stones max 2-4 in 5-10 cm		Sauna room							
			Width/Depth/Height		Weight		Cubic vol.				Floor Area		Height			
			inch mm		lb	kg	lb	kg	min. CuFt/m <sup>3</sup>		max. CuFt/m <sup>3</sup>		min. sqft	max. sqft	Min.	
															inch	mm
HPCS6U1H	6.0	240VAC, 1 ph, 60Hz	14/13/40 360/340/1010		37.5	17	200	90	141	4	294	8	23	47	75	1900
HPCS6U1HB	6.0	240VAC, 1 ph, 60Hz	14/13/40 360/340/1010		37.5	17	200	90	141	4	294	8	23	47	75	1900
HPCS8U1H	8.0	240VAC, 1 ph, 60Hz	16/15/45 395/380/1150		37.5	17	200	90	141	4	431	12	23	69	75	1900
HPCS8U3H	8.0	208VAC, 3ph, 60Hz	16/15/45 395/380/1150		37.5	17	200	90	141	4	431	12	23	69	75	1900
HPCS8U1HB	8.0	240VAC, 1 ph, 60Hz	16/15/45 395/380/1150		37.5	17	200	90	141	4	431	12	23	69	75	1900
HPCS9U1H	9.0	240VAC, 1 ph, 60Hz	14/13/40 360/340/1010		37.5	17	200	90	141	4	494	14	45	79	75	1900
HPCS9U3H	9.0	208VAC, 3ph, 60Hz	14/13/40 360/340/1010		37.5	17	200	90	141	4	494	14	45	79	75	190
HPCS11U3H	10.5	208VAC, 3ph, 60Hz	16/15/45 395/380/1150		46.3	21	265	120	141	4	636	18	23	98	78	1980
HPCS11U1H	10.5	240VAC, 1 ph, 60Hz	16/15/45 395/380/1150		46.3	21	265	120	141	4	636	18	23	98	78	1980

## SAFETY DISTANCES

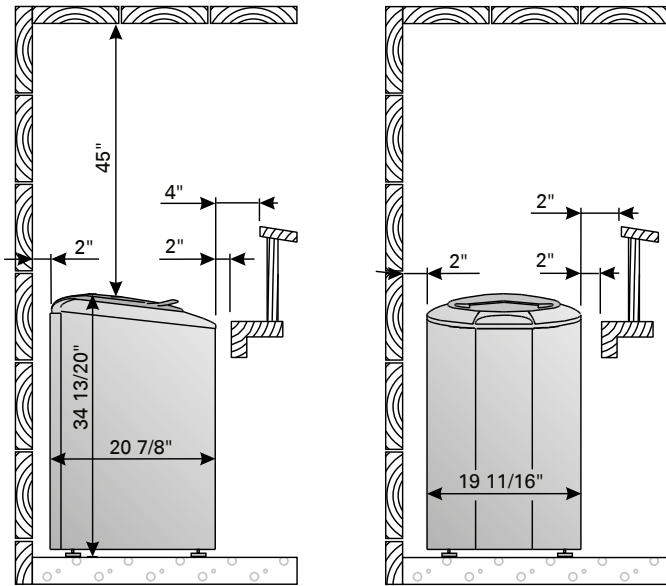
Heater	A		B		C	
	inch	mm	inch	mm	inch	mm
HPCS6U1H	1.2	30	4	100	35	890
HPCS8U1H	1.2	30	4	100	35	890
HPCS8U3H						
HPCS9U1H	1.2	30	4	100	35	890
HPCS9U3H						
HPCS11U1H	1.2	30	4	100	32.5	830
HPCS11U3H						



# Forte

TECHNICAL DATA																
Heater	Output kW	Voltage and Phase	Dimensions				Stones max 2-4 in 5-10 cm		Sauna room							
			Width/Depth/Height		Weight				Cubic vol.				Floor Area		Height	
			inch mm		lb	kg	min. CuFt/m <sup>3</sup>	max. CuFt/m <sup>3</sup>	min. sqft	max. sqft	Min.					
											inch	mm				
HAFU4502401	4.4	240VAC, 1 ph, 60Hz	19.7/20.97/34.7 500/530/880		66.2	30	220.5	100	178	5	283	8	27	43	79	2010
HAFU6502401	6.5	240VAC, 1 ph, 60Hz	19.7/20.97/34.7 500/530/880		66.2	30	220.5	100	250	7	421	12	38	64	79	2010
HAFU100241	9.8	240VAC, 1 ph, 60Hz	19.7/20.97/34.7 500/530/880		66.2	30	220.5	100	355	10	527	15	54	80	79	2010

## SAFETY DISTANCES

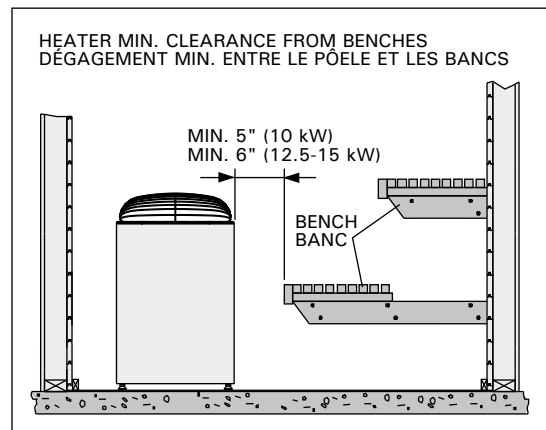
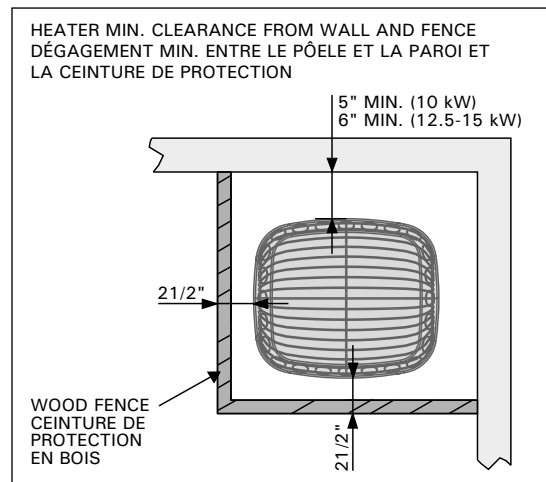
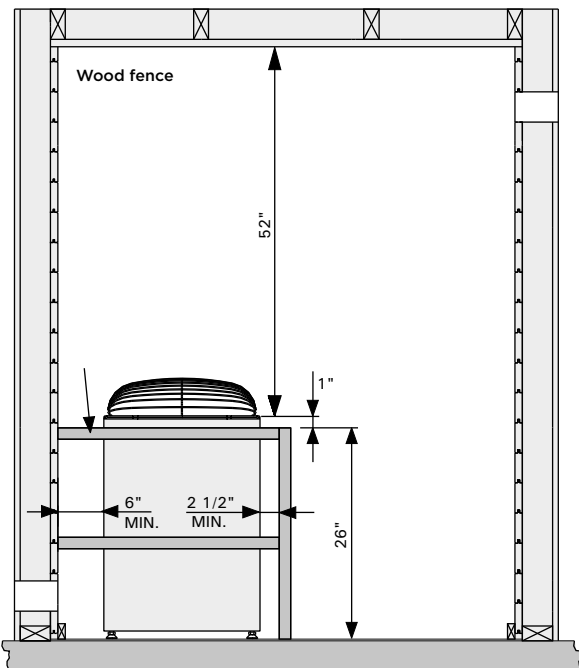




# Club

TECHNICAL DATA / DONNÉES TECHNIQUES																
Heater	Output kW	Voltage and Phase	Dimensions				Stones max 2-4 in 5-10 cm		Sauna room							
			Width/Depth/Height		Weight		Cubic vol.				Floor Area		Height			
			inch	mm	lb	kg	min. CuFt/m <sup>3</sup>	max. CuFt/m <sup>3</sup>	min. sqft	max. sqft	Min.					
						lb	kg					inch	mm			
HRKGU102083	10.0	208VAC, 3ph, 60Hz	19.9/16.9/27.6	505/430/700	55.2	25	132.3	60	390	11	600	17	60	94	6.5	1980
HRKGU102401	10.0	240VAC, 1 ph, 60Hz	19.9/16.9/27.6	505/430/700	55.2	25	132.3	60	390	11	600	17	60	94	6.5	1980
HRKGU1020C	10.0	208VAC, 3ph, 60Hz	19.9/16.9/27.6	505/430/700	55.2	25	132.3	60	390	11	600	17	60	94	6.5	1980
HRKGU1024C	10.0	240VAC, 1 ph, 60Hz	19.9/16.9/27.6	505/430/700	55.2	25	132.3	60	390	11	600	17	60	94	6.5	1980
HRKGU122083	12.5	208VAC, 3ph, 60Hz	19.9/16.9/27.6	505/430/700	55.2	25	132.3	60	500	14	750	21	78	114	6.5	1980
HRKGU122401	12.5	240VAC, 1 ph, 60Hz	19.9/16.9/27.6	505/430/700	55.2	25	132.3	60	500	14	750	21	78	114	6.5	1980
HRKGU1220C	12.5	208VAC, 3ph, 60Hz	19.9/16.9/27.6	505/430/700	55.2	25	132.3	60	500	14	750	21	78	114	6.5	1980
HRKGU1224C	12.5	240VAC, 1 ph, 60Hz	19.9/16.9/27.6	505/430/700	55.2	25	132.3	60	500	14	750	21	78	114	6.5	1980
HRKGU152083	15.0	208VAC, 3ph, 60Hz	19.9/16.9/27.6	505/430/700	55.2	25	132.3	60	630	17.8	1000	28	97	146	6.5	1980
HRKGU152401	15.0	240VAC, 1 ph, 60Hz	19.9/16.9/27.6	505/430/700	55.2	25	132.3	60	630	17.8	1000	28	97	146	6.5	1980
HRKGU1520C	15.0	208VAC, 3ph, 60Hz	19.9/16.9/27.6	505/430/700	55.2	25	132.3	60	630	17.8	1000	28	97	146	6.5	1980
HRKGU1524C	15.0	240VAC, 1 ph, 60Hz	19.9/16.9/27.6	505/430/700	55.2	25	132.3	60	630	17.8	1000	28	97	146	6.5	1980

## SAFETY DISTANCES



# Virta

TECHNICAL DATA																
Heater Poêle	Output kW	Voltage and Phase	Dimensions				Stones max 2-4 in 5-10 cm		Sauna room							
			Width/Depth/Height		Weight				Cubic vol.				Floor Area		Height	
			inch mm		lb	kg	lb	kg	min. CuFt/m <sup>3</sup>		max. CuFt/m <sup>3</sup>		min. sqft	max. sqft	Min.	
		inch		mm												
HL6U1	6.0	240VAC, 1 ph, 60Hz	9,0		50.7	23	110	50	177	5	294	8	28	47	75	1900
HL8U1	8.0	240VAC, 1 ph, 60Hz	16/13/33 415/340/840		50.7	23	110	50	177	5	431	12	28	69	75	1900
HL9U1	9.0	240VAC, 1ph, 60Hz	16/13/33 415/340/840		50.7	23	110	50	177	5	494	14	28	79	75	1900
HL11U3	10.5	208VAC, 3ph, 60Hz	16/16/33 415/410/840		50.7	23	110	50	177	5	635	18	28	102	75	1900

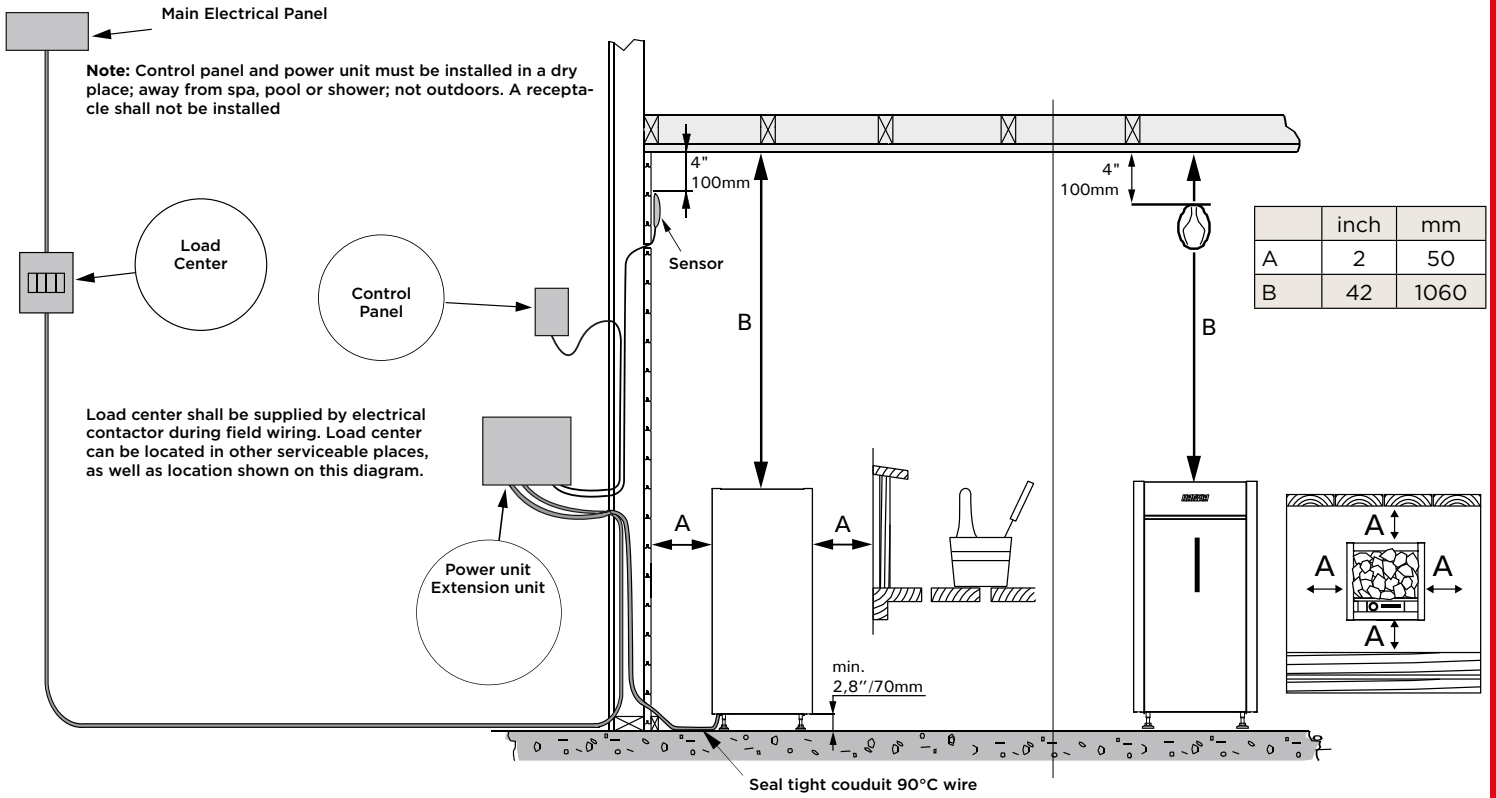
# Virta Combi

Heater Poêle	Output kW	Voltage and Phase	Vaporizer		Dimensions				Stones max 2-4 in 5-10 cm		Sauna room							
			Output		Width/Depth/ Height		Weight				Cubic vol.				Floor Area		Height	
			Output kW	Max. vaporisation efficiency	inch mm		lb	kg	lb	kg	min. CuFt/m <sup>3</sup>		max. CuFt/m <sup>3</sup>		min. sqft	max. sqft	Min.	
HL6U1SA	6.0	240VAC, 1 ph, 60Hz	2.1	2.5	16/16/33 415/410/840		63.9	29	110	50	177	5	294	8	28	47	75	1900
HL8U1SA	8.0	240VAC, 1 ph, 60Hz	2.1	2.5	16/16/33 415/410/840		63.9	29	110	50	177	5	431	12	28	69	75	1900
HL9U1SA	9.0	240VAC, 1ph, 60Hz	2.1	2.5	16/16/33 415/410/840		63.9	29	110	50	177	5	494	14	28	79	75	1900
HL11U1SA	10.5	240VAC, 1 ph, 60Hz	2.1	2.5	16/19/33 415/485/840		70.5	32	154	70	177	5	635	18	28	102	75	1900
HL11U3SA	10.5	208VAC, 3ph, 60Hz	2.1	2.5	16/19/33 415/485/840		70.5	32	154	70	177	5	635	18	28	102	75	1900

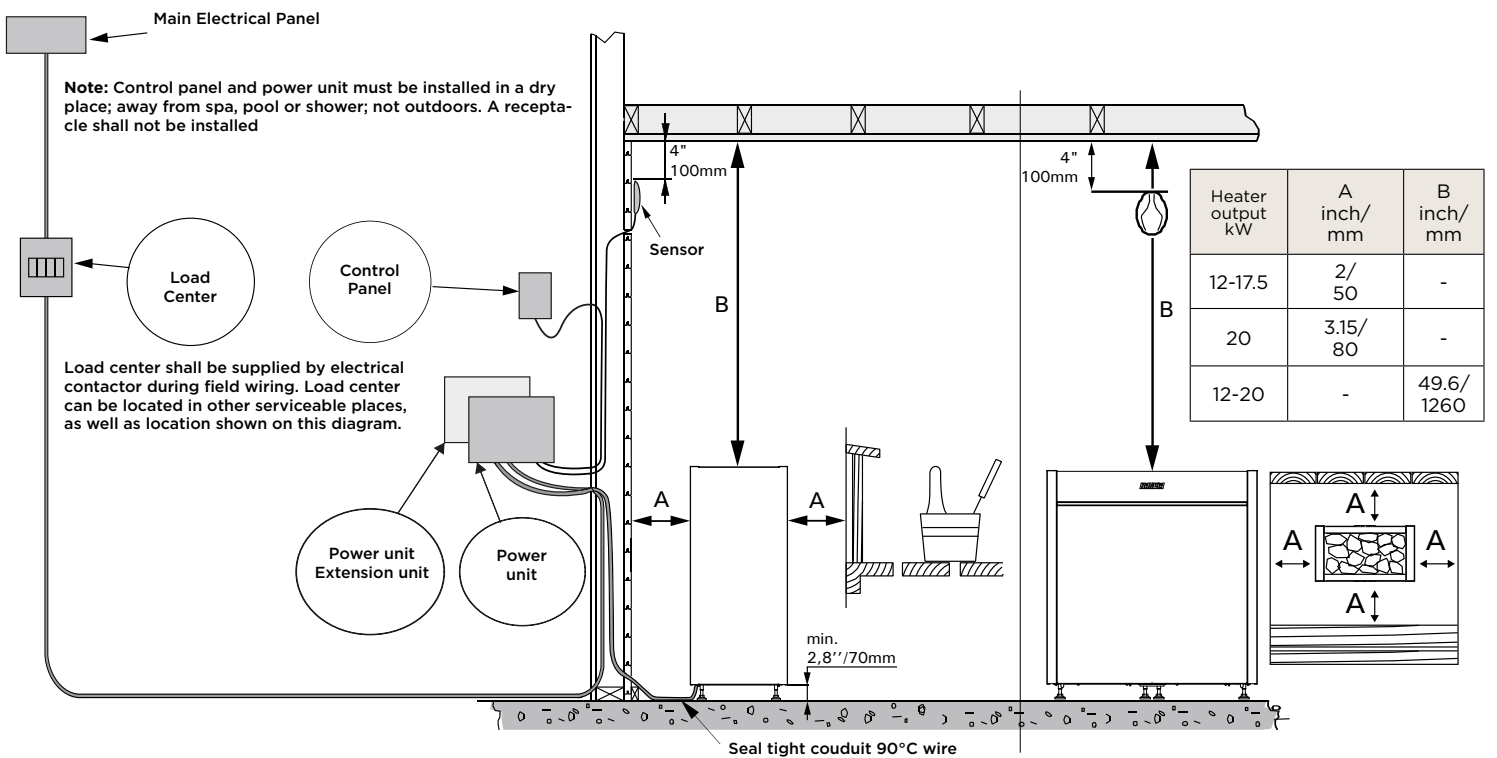
# Virta Pro

TECHNICAL DATA / DONNÉES TECHNIQUES																
Heater	Output kW	Voltage and Phase	Dimensions				Stones max 2-4 in 5-10 cm		Sauna room							
			Width/Depth/Height		Weight				Cubic vol.				Floor Area		Height	
			inch mm		lb	kg	lb	kg	min. CuFt/m <sup>3</sup>		max. CuFt/m <sup>3</sup>		min. sqft	max. sqft	Min.	
		inch		mm												
HL16U1	16	240VAC, 1 ph, 60Hz	31/13/33 780/340/840		92.6	42	200	90	354	10	918	26	51	133	82.7	2100
HL20U3	20	208VAC, 3ph, 60Hz	31/16/33 780/410/840		105.8	48	265	120	354	10	1130	32	51	164	82.7	2100

**VIRTA / VIRTA COMBI SAFETY DISTANCES**



**VIRTA PRO SAFETY DISTANCES**





**HARVIA**

Sauna & Spa

P.O. Box 12  
FI-40951 Muurame, FINLAND  
Tel. +358 207 464 000  
harvia@harvia.fi  
www.harvia.com



@harviaglobal