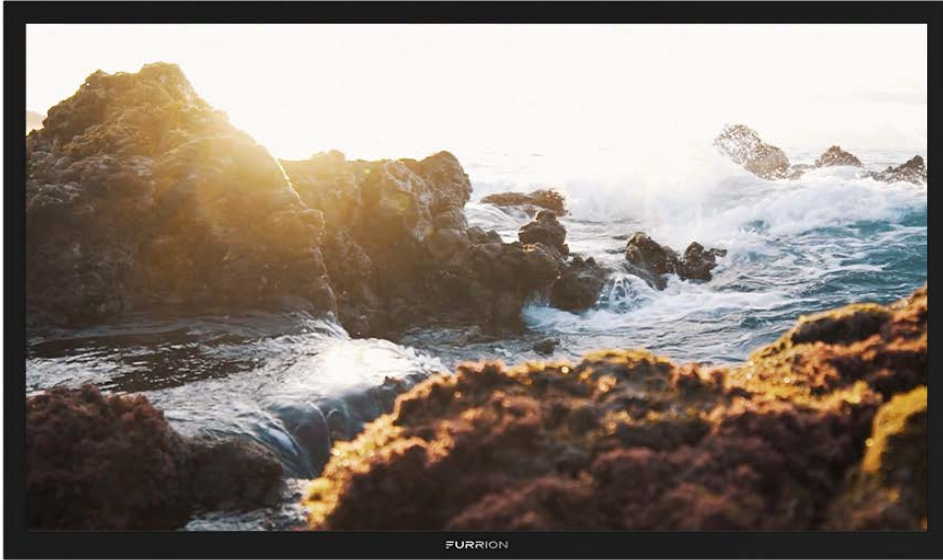


# 65" Furrion Aurora™ Partial Sun 4K LED Outdoor TV



## Engineered for Outdoor Viewing.

A stunning picture comes as standard thanks to the 65" 4K Ultra-High Definition screen. Get a perfect picture in partially-shaded outdoor environments while the premium 700-nit LCD screen with auto-brightness control adjusts the light levels for optimum viewing. Outdoor safe, it can withstand all conditions when exposed to the elements.

### Key Benefits

**Made for Outdoor:** With a weatherproof housing and IP54 rating, the TV is engineered to withstand the harsh effects of UV rays, dirt, insects, humidity, and to cope with extreme temperature variations (-27.4 °F to 140 °F).

**Incredible Picture:** The 4K Ultra-High Definition screen delivers crystal clear images and ultra-bright picture at 4 times the resolution of full HD.

**Auto-Brightness Control:** The ambient light sensor with auto-brightness control automatically changes the screen's lighting levels adjusting to bright and dark conditions for optimal viewing at all times.

### Main Features



HIGH  
BRIGHTNESS



4K ULTRA  
HIGH DEFINITION



WEATHERPROOF



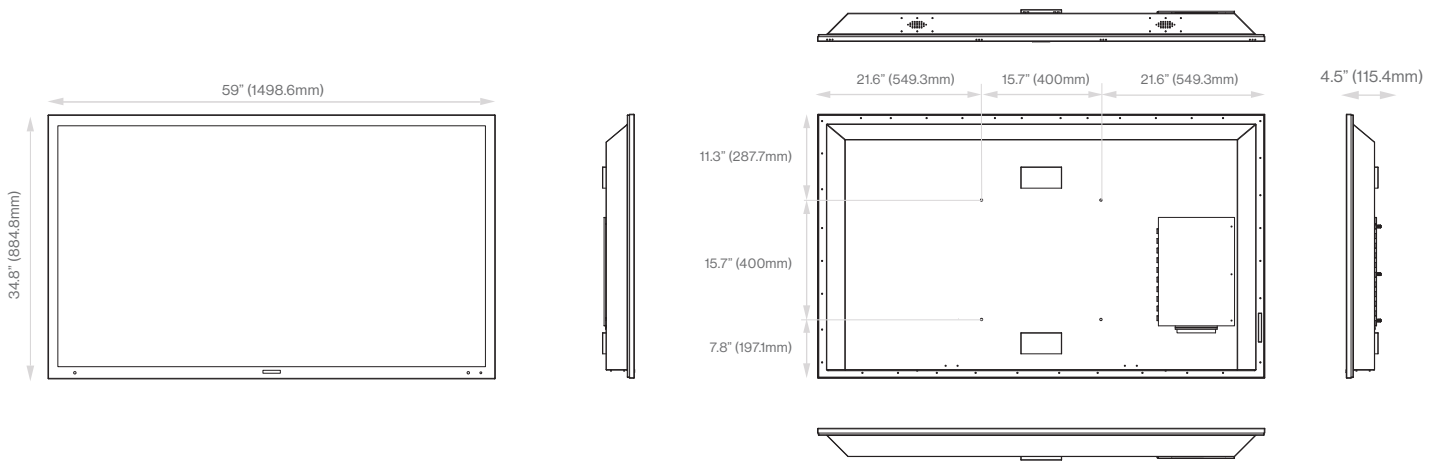
WATERPROOF  
REMOTE INCLUDED



AUTO BRIGHTNESS  
CONTROL



ANTI-GLARE  
SCREEN



## Power

|             |             |
|-------------|-------------|
| Input Power | 100-240V AC |
| Power Plug  | US          |

## Panel Specifications

|                |                       |
|----------------|-----------------------|
| Screen Size    | 65"                   |
| Resolution     | 3840 x 2160           |
| Refresh Rate   | 60Hz                  |
| Contrast Ratio | 4000:1                |
| View Angle     | 178 degree/178 degree |
| Response Time  | 6.5ms                 |
| Brightness     | 700nit                |

## Broadcasting System

|         |      |
|---------|------|
| Analog  | NTSC |
| Digital | ATSC |

## Audio

|                                |                         |
|--------------------------------|-------------------------|
| Mono/Stereo/Dual (MTS/SAP)     | NICAM/A2                |
| Audio Output (Watts - THD 10%) | 8W X 2                  |
| Speaker System                 | 1 Way 2 Speakers Stereo |
| Dolby Digital Decoder          | ✓                       |
| Surround System                | ✓                       |
| Bass/Treble/Balance            | ✓                       |
| Auto Volume Leveler            | ✓                       |
| Sound Mode                     | 4 Modes                 |

## Special Features

|                      |   |
|----------------------|---|
| Child Lock/ V-Chip   | ✓ |
| Closed Caption       | ✓ |
| Smartlink (HDMI CEC) | ✓ |
| ARC Audio out        | ✓ |
| 1080P Source Input   | ✓ |
| 4K Source Input      | ✓ |

## Convenience Features

|                              |                        |
|------------------------------|------------------------|
| Language                     | English/French/Spanish |
| Channel Add/Delete           | ✓                      |
| Auto Tuning/Programming      | ✓                      |
| Sleep Timer                  | ✓                      |
| On/Off Timer                 | ✓                      |
| Favorite Channel Programming | ✓                      |
| Auto/Manual Clock            | ✓                      |
| Auto Off (Sleep)             | ✓                      |

## AV Inputs & Outputs

|                               |   |
|-------------------------------|---|
| # of HDMI Inputs              | 3 |
| # of D-Sub(VGA) Inputs        | 1 |
| # of Audio LR Outputs         | 1 |
| # of PC Audio Inputs          | 1 |
| # of Antenna (RF) Inputs      | 1 |
| # of Composite AV Inputs      | 1 |
| # of Component (YPbPr) Inputs | 1 |
| # of USB Inputs               | 1 |
| # of Coaxial Audio Outputs    | 1 |
| HDMI Version                  | 2 |

## Cabinet

|                 |             |
|-----------------|-------------|
| Vesa Compatible | 400 X 400mm |
|-----------------|-------------|

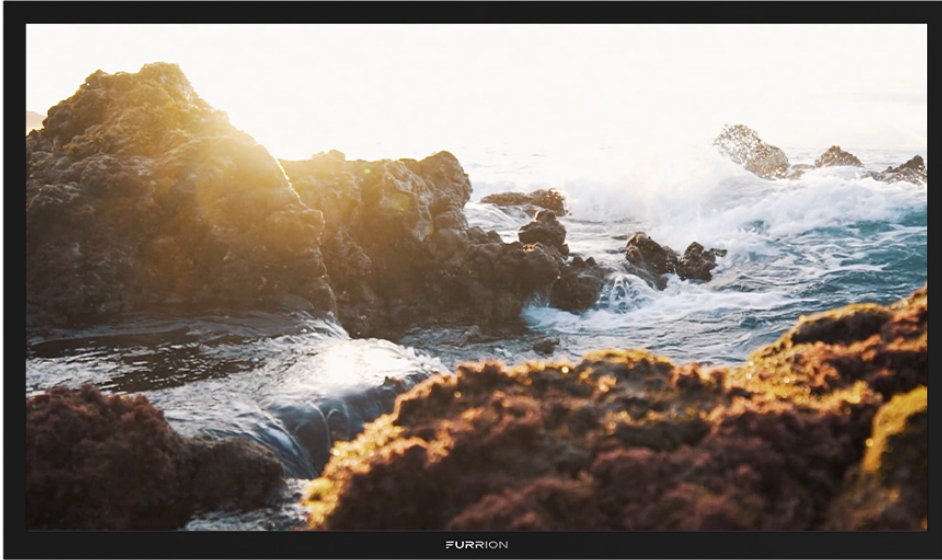
## Dimensions/Weight

|                                         |                                                  |
|-----------------------------------------|--------------------------------------------------|
| Product Size (WxHxD)                    | 59 x 34.83 x 4.54"<br>(1498.6 x 884.8 x 115.4mm) |
| Individual Packaging Dimensions (WxHxD) | 66.02" x 42.13" x 8.43"<br>(1677 x 1070 x 214mm) |
| Net Weight (lbs/kg)                     | 77.16 / 35                                       |
| Gross Weight (lbs/kg)                   | 93.03 / 42.20                                    |

FDUP65CBR



# 55" Furrion Aurora™ Partial Sun 4K LED Outdoor TV



## Engineered for Outdoor Viewing.

A stunning picture comes as standard thanks to the 55" 4K Ultra-High Definition screen. Get a perfect picture in partially-shaded outdoor environments while the premium 700-nit LCD screen with auto-brightness control adjusts the light levels for optimum viewing. Outdoor safe, it can withstand all conditions when exposed to the elements.

### Key Benefits

**Made for Outdoor:** With a weatherproof housing and IP54 rating, the TV is engineered to withstand the harsh effects of UV rays, dirt, insects, humidity, and to cope with extreme temperature variations (-27.4 °F to 140 °F).

**Incredible Picture:** The 4K Ultra-High Definition screen delivers crystal clear images and ultra-bright picture at 4 times the resolution of full HD.

**Auto-Brightness Control:** The ambient light sensor with auto-brightness control automatically changes the screen's lighting levels adjusting to bright and dark conditions for optimal viewing at all times.

### Main Features



HIGH  
BRIGHTNESS



4K ULTRA  
HIGH DEFINITION



WEATHERPROOF



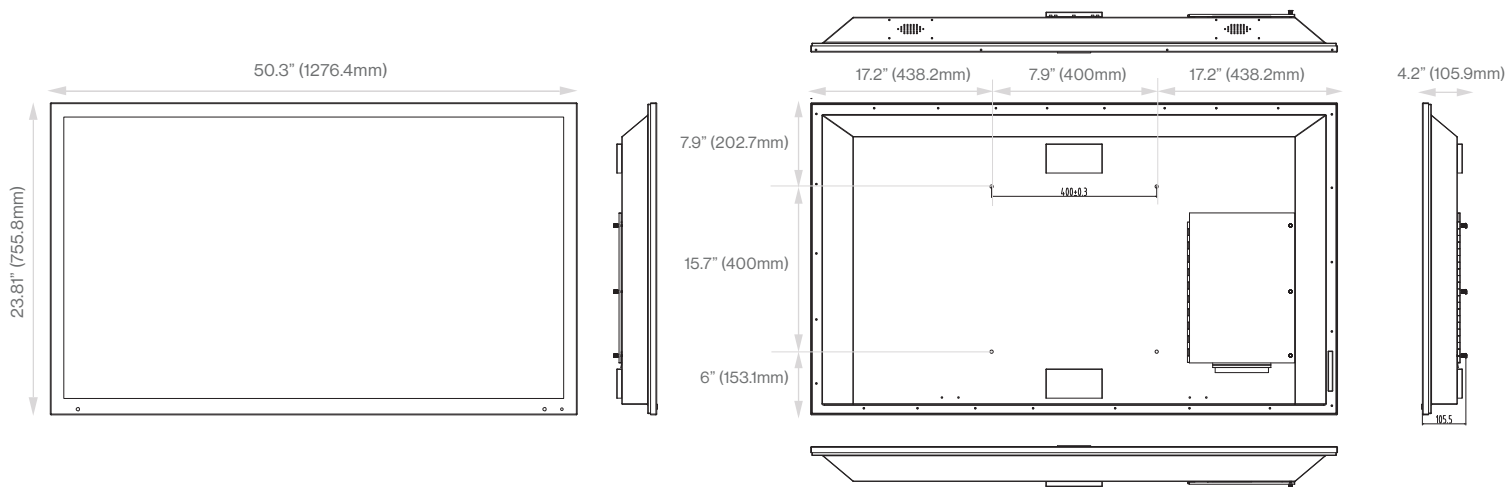
WATERPROOF  
REMOTE INCLUDED



AUTO BRIGHTNESS  
CONTROL



ANTI-GLARE  
SCREEN



## Power

|             |             |
|-------------|-------------|
| Input Power | 100-240V AC |
| Power Plug  | US          |

## Panel Specifications

|                |                       |
|----------------|-----------------------|
| Screen Size    | 55"                   |
| Resolution     | 3840 x 2160           |
| Refresh Rate   | 60Hz                  |
| Contrast Ratio | 4000:1                |
| View Angle     | 178 degree/178 degree |
| Response Time  | 6.5ms                 |
| Brightness     | 700nit                |

## Broadcasting System

|         |      |
|---------|------|
| Analog  | NTSC |
| Digital | ATSC |

## Audio

|                                |                         |
|--------------------------------|-------------------------|
| Mono/Stereo/Dual (MTS/SAP)     | NICAM/A2                |
| Audio Output (Watts - THD 10%) | 8W X 2                  |
| Speaker System                 | 1 Way 2 Speakers Stereo |
| Dolby Digital Decoder          | √                       |
| Surround System                | √                       |
| Bass/Treble/Balance            | √                       |
| Auto Volume Leveler            | √                       |
| Sound Mode                     | 4 Modes                 |

## Special Features

|                      |   |
|----------------------|---|
| Child Lock/ V-Chip   | √ |
| Closed Caption       | √ |
| Smartlink (HDMI CEC) | √ |
| ARC Audio out        | √ |
| 1080P Source Input   | √ |
| 4K Source Input      | √ |

## Convenience Features

|                              |                        |
|------------------------------|------------------------|
| Language                     | English/French/Spanish |
| Channel Add/Delete           | √                      |
| Auto Tuning/Programming      | √                      |
| Sleep Timer                  | √                      |
| On/Off Timer                 | √                      |
| Favorite Channel Programming | √                      |
| Auto/Manual Clock            | √                      |
| Auto Off (Sleep)             | √                      |

## AV Inputs & Outputs

|                               |   |
|-------------------------------|---|
| # of HDMI Inputs              | 3 |
| # of D-Sub(VGA) Inputs        | 1 |
| # of Audio LR Outputs         | 1 |
| # of PC Audio Inputs          | 1 |
| # of Antenna (RF) Inputs      | 1 |
| # of Composite AV Inputs      | 1 |
| # of Component (YPbPr) Inputs | 1 |
| # of USB Inputs               | 1 |
| # of Coaxial Audio Outputs    | 1 |
| HDMI Version                  | 2 |

## Cabinet

|                 |             |
|-----------------|-------------|
| Vesa Compatible | 400 X 400mm |
|-----------------|-------------|

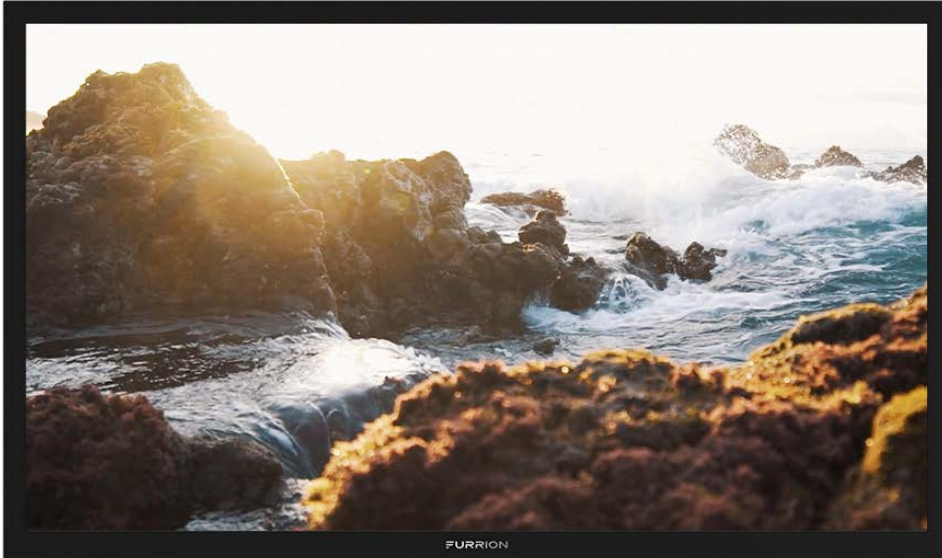
## Dimensions/Weight

|                                         |                                                     |
|-----------------------------------------|-----------------------------------------------------|
| Product Size (WxHxD)                    | 50.25 x 29.76 x 4.17"<br>(1276.4 x 755.8 x 105.9mm) |
| Individual Packaging Dimensions (WxHxD) | 57.20" x 8.43" x 35.83"<br>(1453 x 214 x 910 mm)    |
| Net Weight (lbs/kg)                     | 60.63lbs / 27.50kg                                  |
| Gross Weight (lbs/kg)                   | 74.96lbs / 34kg                                     |

FDUP55CBR



# 49" Furrion Aurora™ Partial Sun 4K LED Outdoor TV



## Engineered for Outdoor Viewing.

A stunning picture comes as standard thanks to the 49" 4K Ultra-High Definition screen. Get the perfect picture in partially-shaded outdoor environments while the premium 700-nit LCD screen with auto-brightness control adjusts the light levels for optimum viewing. Outdoor safe, it can withstand all conditions when exposed to the elements.

### Key Benefits

**Made for Outdoor:** With a weatherproof housing and IP54 rating, the TV is engineered to withstand the harsh effects of UV rays, dirt, insects, humidity, and to cope with extreme temperature variations (-27.4 °F to 140 °F).

**Incredible Picture:** The 4K Ultra-High Definition screen delivers crystal clear images and ultra-bright picture at 4 times the resolution of full HD.

**Auto-Brightness Control:** The ambient light sensor with auto-brightness control automatically changes the screen's lighting levels adjusting to bright and dark conditions for optimal viewing at all times.

### Main Features



HIGH  
BRIGHTNESS



4K ULTRA  
HIGH DEFINITION



WEATHERPROOF



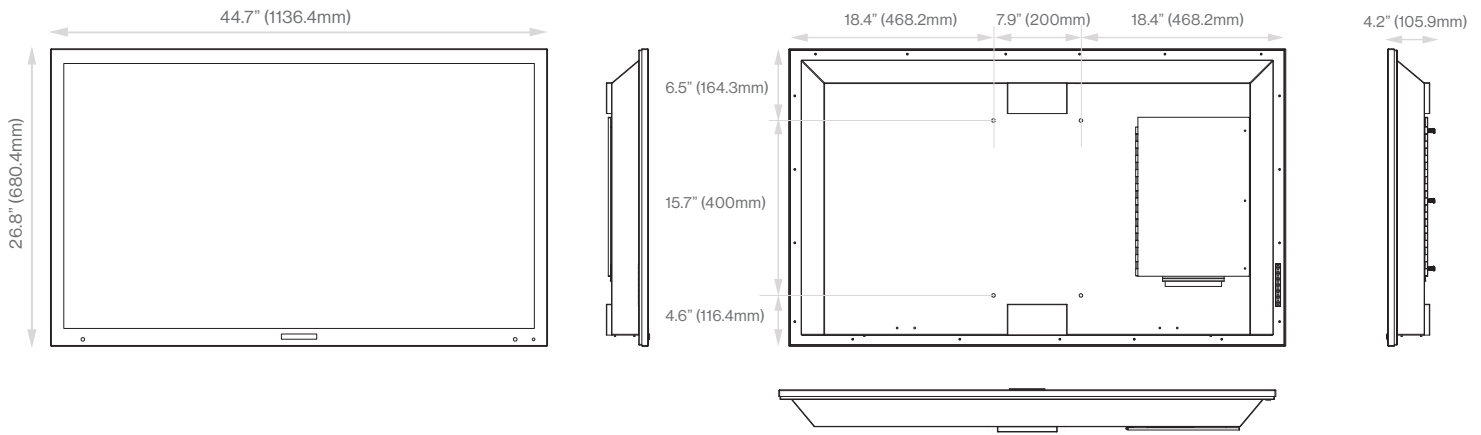
WATERPROOF  
REMOTE INCLUDED



AUTO BRIGHTNESS  
CONTROL



ANTI-GLARE  
SCREEN



## Power

|             |             |
|-------------|-------------|
| Input Power | 100-240V AC |
| Power Plug  | US          |

## Panel Specifications

|                |                       |
|----------------|-----------------------|
| Screen Size    | 49"                   |
| Resolution     | 3840 x 2160           |
| Refresh Rate   | 60Hz                  |
| Contrast Ratio | 4000:1                |
| View Angle     | 178 degree/178 degree |
| Response Time  | 6.5ms                 |
| Brightness     | 700nits               |

## Broadcasting System

|         |      |
|---------|------|
| Analog  | NTSC |
| Digital | ATSC |

## Audio

|                                |                         |
|--------------------------------|-------------------------|
| Mono/Stereo/Dual (MTS/SAP)     | NICAM/A2                |
| Audio Output (Watts - THD 10%) | 8W X 2                  |
| Speaker System                 | 1 Way 2 Speakers Stereo |
| Dolby Digital Decoder          | √                       |
| Surround System                | √                       |
| Bass/Treble/Balance            | √                       |
| Auto Volume Leveler            | √                       |
| Sound Mode                     | 4 Modes                 |

## Special Features

|                      |   |
|----------------------|---|
| Child Lock/ V-Chip   | √ |
| Closed Caption       | √ |
| Smartlink (HDMI CEC) | √ |
| ARC Audio out        | √ |
| 1080P Source Input   | √ |
| 4K Source Input      | √ |

## Convenience Features

|                              |                        |
|------------------------------|------------------------|
| Language                     | English/French/Spanish |
| Channel Add/Delete           | √                      |
| Auto Tuning/Programming      | √                      |
| Sleep Timer                  | √                      |
| On/Off Timer                 | √                      |
| Favorite Channel Programming | √                      |
| Auto/Manual Clock            | √                      |
| Auto Off (Sleep)             | √                      |

## AV Inputs & Outputs

|                               |   |
|-------------------------------|---|
| # of HDMI Inputs              | 3 |
| # of D-Sub(VGA) Inputs        | 1 |
| # of Audio LR Outputs         | 1 |
| # of PC Audio Inputs          | 1 |
| # of Antenna (RF) Inputs      | 1 |
| # of Composite AV Inputs      | 1 |
| # of Component (YPbPr) Inputs | 1 |
| # of USB Inputs               | 1 |
| # of Coaxial Audio Outputs    | 1 |
| HDMI Version                  | 2 |

## Cabinet

|                 |             |
|-----------------|-------------|
| Vesa Compatible | 200 X 400mm |
|-----------------|-------------|

## Dimensions/Weight

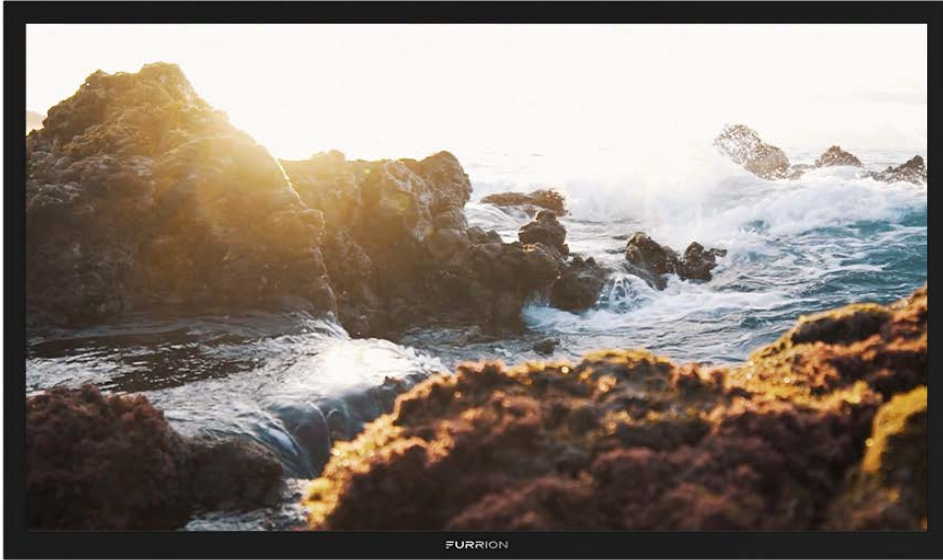
|                                         |                                                     |
|-----------------------------------------|-----------------------------------------------------|
| Product Size (WxHxD)                    | 44.74 x 26.79 x 4.15"<br>(1136.4 x 680.4 x 105.5mm) |
| Individual Packaging Dimensions (WxHxD) | 50.39" x 8.46" x 32.09"<br>(1280 x 215 x 815 mm)    |
| Net Weight (lbs/kg)                     | 50.71lbs / 23kg                                     |
| Gross Weight (lbs/kg)                   | 59.75lbs / 27.10kg                                  |

FDUP49CBR





# 43" Furrion Aurora™ Partial Sun 4K LED Outdoor TV



## Engineered for Outdoor Viewing.

A stunning picture comes as standard thanks to the 43" 4K Ultra-High Definition screen. Get a perfect picture in partially-shaded outdoor environments while the premium 700-nit LCD screen with auto-brightness control adjusts the light levels for optimum viewing. Outdoor safe, it can withstand all conditions when exposed to the elements.

### Key Benefits

**Made for Outdoor:** With a weatherproof housing and IP54 rating, the TV is engineered to withstand the harsh effects of UV rays, dirt, insects, humidity, and to cope with extreme temperature variations (-27.4 °F to 140 °F).

**Incredible Picture:** The 4K Ultra-High Definition screen delivers crystal clear images and ultra-bright picture at 4 times the resolution of full HD.

**Auto-Brightness Control:** The ambient light sensor with auto-brightness control automatically changes the screen's lighting levels adjusting to bright and dark conditions for optimal viewing at all times.

### Main Features



HIGH  
BRIGHTNESS



4K ULTRA  
HIGH DEFINITION



WEATHERPROOF



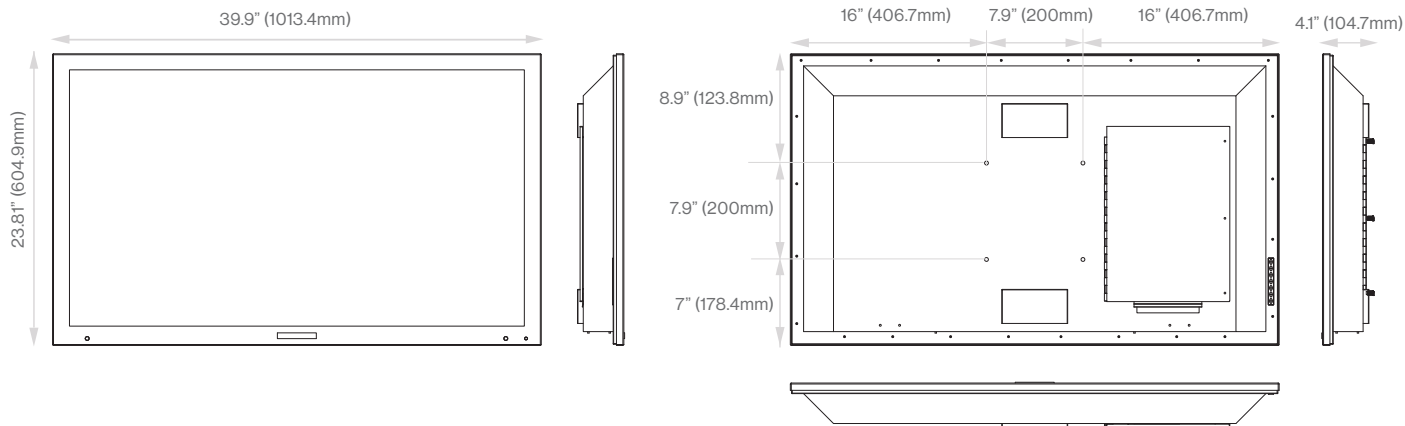
WATERPROOF  
REMOTE INCLUDED



AUTO BRIGHTNESS  
CONTROL



ANTI-GLARE  
SCREEN



## Power

|             |             |
|-------------|-------------|
| Input Power | 100-240V AC |
| Power Plug  | US          |

## Panel Specifications

|                |                       |
|----------------|-----------------------|
| Screen Size    | 43"                   |
| Resolution     | 3840 x 2160           |
| Refresh Rate   | 60Hz                  |
| Contrast Ratio | 4000:1                |
| View Angle     | 178 degree/178 degree |
| Response Time  | 6.5ms                 |
| Brightness     | 700nits               |

## Broadcasting System

|         |      |
|---------|------|
| Analog  | NTSC |
| Digital | ATSC |

## Audio

|                                |                         |
|--------------------------------|-------------------------|
| Mono/Stereo/Dual (MTS/SAP)     | NICAM/A2                |
| Audio Output (Watts - THD 10%) | 8W X 2                  |
| Speaker System                 | 1 Way 2 Speakers Stereo |
| Dolby Digital Decoder          | √                       |
| Surround System                | √                       |
| Bass/Treble/Balance            | √                       |
| Auto Volume Leveler            | √                       |
| Sound Mode                     | 4 Modes                 |

## Special Features

|                      |   |
|----------------------|---|
| Child Lock/ V-Chip   | √ |
| Closed Caption       | √ |
| Smartlink (HDMI CEC) | √ |
| ARC Audio out        | √ |
| 1080P Source Input   | √ |
| 4K Source Input      | √ |

## Convenience Features

|                              |                        |
|------------------------------|------------------------|
| Language                     | English/French/Spanish |
| Channel Add/Delete           | √                      |
| Auto Tuning/Programming      | √                      |
| Sleep Timer                  | √                      |
| On/Off Timer                 | √                      |
| Favorite Channel Programming | √                      |
| Auto/Manual Clock            | √                      |
| Auto Off (Sleep)             | √                      |

## AV Inputs & Outputs

|                               |   |
|-------------------------------|---|
| # of HDMI Inputs              | 3 |
| # of D-Sub(VGA) Inputs        | 1 |
| # of Audio LR Outputs         | 1 |
| # of PC Audio Inputs          | 1 |
| # of Antenna (RF) Inputs      | 1 |
| # of Composite AV Inputs      | 1 |
| # of Component (YPbPr) Inputs | 1 |
| # of USB Inputs               | 1 |
| # of Coaxial Audio Outputs    | 1 |
| HDMI Version                  | 2 |

## Cabinet

|                 |             |
|-----------------|-------------|
| Vesa Compatible | 200 X 200mm |
|-----------------|-------------|

## Dimensions/Weight

|                                         |                                                     |
|-----------------------------------------|-----------------------------------------------------|
| Product Size (WxHxD)                    | 39.90 x 23.81 x 4.12"<br>(1013.4 x 604.9 x 104.7mm) |
| Individual Packaging Dimensions (WxHxD) | 44.69" x 7.67" x 28.74"<br>(1135 x 195 x 730 mm)    |
| Net Weight (lbs/kg)                     | 37.92lbs / 17.20kg                                  |
| Gross Weight (lbs/kg)                   | 49.60lbs / 22.50kg                                  |

FDUP43C8R

