



TRADE-WIND

PERFORMANCE · QUALITY · CUSTOMER SERVICE

PRODUCT CATALOG



800 WEST GRANT ST, PHOENIX, AZ 85007
PHONE: 602-900-8500 · TOLL FREE: 800-955-5737

WWW.T-WUSA.COM

INTENTIONALLY LEFT BLANK

INDOOR HOODS

RANGE HOOD LINERS + ACCESSORIES

- VSL 400 SERIES: 18"
- VSL 400 SERIES: 19 ¼ "
- VSL 400 SERIES: 22"
- VSL 400 SERIES: IN-LINE & EXTERNAL REMOTES

INSERTS + ACCESSORIES

- I3230 & I3236 SERIES

RANGE HOODS + ACCESSORIES

- 3000 SLIM LINE SERIES
- P3200 SERIES
- H3200 SERIES

OUTDOOR HOODS

BARBECUE HOODS + ACCESSORIES

- P7200 PYRAMID-STYLE SERIES
- P7200 ISLAND PYRAMID-STYLE SERIES
- S7200CD SERIES
- 7200 SERIES
- T7200 SERIES

BARBECUE LINERS + ACCESSORIES

- L7200 SERIES

WARRANTY

INTENTIONALLY LEFT BLANK

PERFORMANCE · QUALITY · CUSTOMER SERVICE

QUIET OPERATION

- Large 3-speed blower operates at lower RPM reducing the sound level

ENDURING QUALITY

- Commercial grade stainless steel (#304 grade) and galvanized steel construction
- LED lights brighten cooking area
- CFM and sound tested by Energy Systems Laboratory at Texas A&M University

DISTINCTIVE LOW-PROFILE DESIGN

- Style complements ALL custom and manufactured wood hood designs
- Simplicity of design preferred by homeowners

EASE OF OPERATION

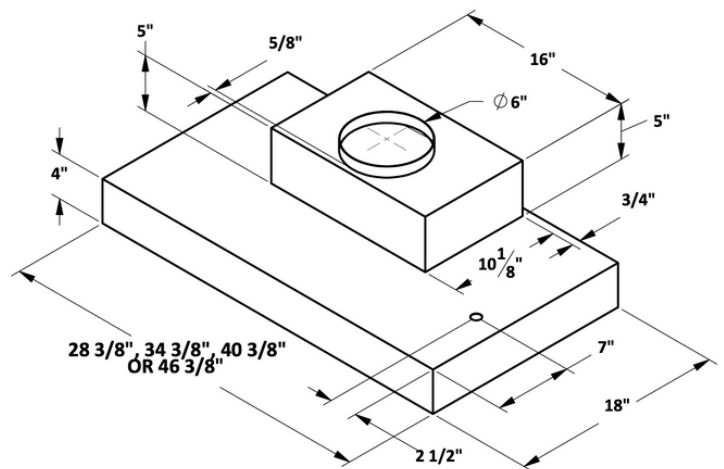
- Remote control included with purchase
- Optional automatic 5 minute shut off timer
- Electronic touch controls with blue LED lighting

SIMPLE INSTALLATION

- Installs easily in standard size or custom-built wood range hoods
- Wiring diagram label for simple electrical connection

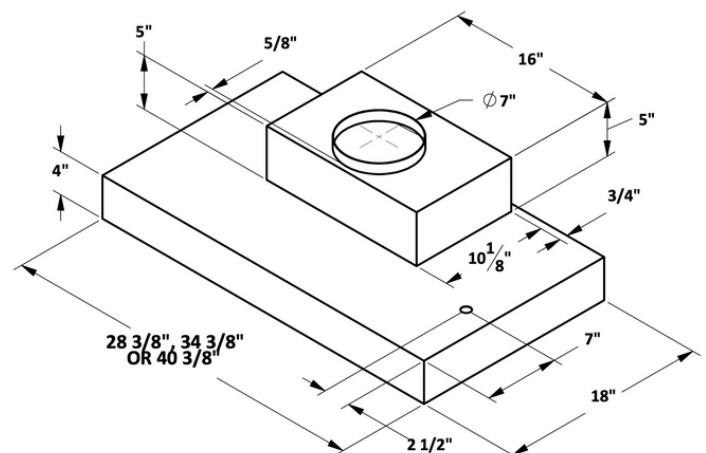
EASY CLEANING

- Dishwasher-safe commercial-style baffle filters with 2 easy-grip handles
- Detergent inlet holes and grease exit holes in baffle filters for superior dishwasher cleaning



290 CFM MODELS

OPTIONAL DUCTLESS CONVERSION KIT MODEL#: 5BL-39-400-DCK;
5BL-39-400-DCK1 (VSL4482RC ONLY)

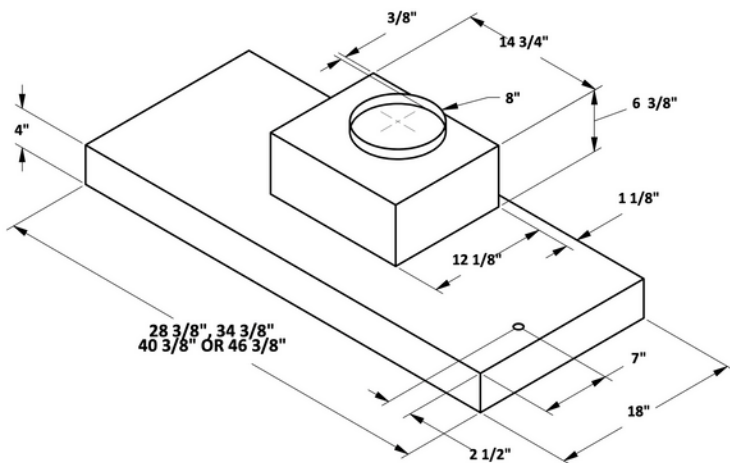


390 CFM MODELS

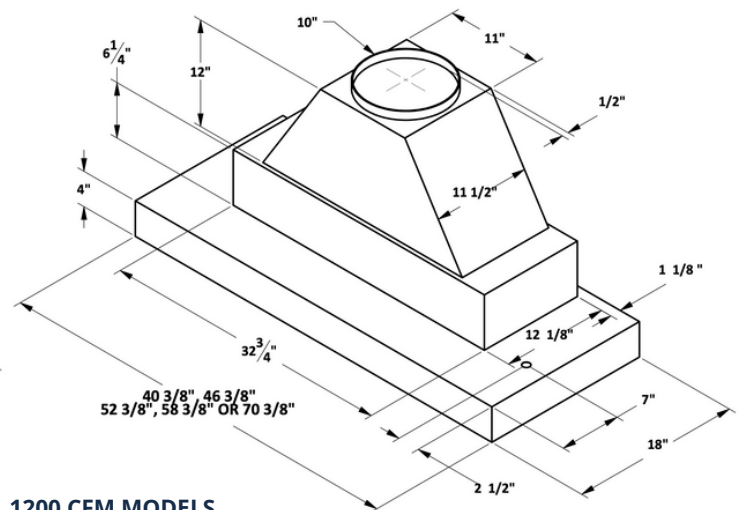
OPTIONAL DUCTLESS CONVERSION KIT MODEL#: 5BL-39-400-DCK



MODEL	FRONT TO BACK	WIDTH	COLOR	3-SPEED INTERNAL BLOWER	CFM	LED LIGHTS	S/S BAFFLE FILTERS	REMOTE CONTROL	DUCT COLLAR	ELECTRONIC TOUCH CONTROL
VSL4302RC	18"	28 3/8"	S/S	✓	290	2	✓	✓	6"	✓
VSL4303RC	18"	28 3/8"	S/S	✓	390	2	✓	✓	7"	✓
VSL4304RC	18"	28 3/8"	S/S	✓	390	2	✓	✓	3 1/4" x 10"	✓
VSL4306RC	18"	28 3/8"	S/S	✓	600	2	✓	✓	8"	✓
VSL4362RC	18"	34 3/8"	S/S	✓	290	2	✓	✓	6"	✓
VSL4363RC	18"	34 3/8"	S/S	✓	390	2	✓	✓	7"	✓
VSL4364RC	18"	34 3/8"	S/S	✓	390	2	✓	✓	3 1/4" x 10"	✓
VSL4366RC	18"	34 3/8"	S/S	✓	600	2	✓	✓	8"	✓
VSL4422RC	18"	40 3/8"	S/S	✓	290	2	✓	✓	6"	✓
VSL4423RC	18"	40 3/8"	S/S	✓	390	2	✓	✓	7"	✓
VSL4424RC	18"	40 3/8"	S/S	✓	390	2	✓	✓	3 1/4" x 10"	✓
VSL4426RC	18"	40 3/8"	S/S	✓	600	2	✓	✓	8"	✓
VSL44212RC	18"	40 3/8"	S/S	✓	1200	2	✓	✓	10"	✓
VSL4482RC	18"	46 3/8"	S/S	✓	290	3	✓	✓	6"	✓
VSL4486RC	18"	46 3/8"	S/S	✓	600	3	✓	✓	8"	✓
VSL44812RC	18"	46 3/8"	S/S	✓	1200	3	✓	✓	10"	✓
VSL45412RC	18"	52 3/8"	S/S	✓	1200	3	✓	✓	10"	✓
VSL46012RC	18"	58 3/8"	S/S	✓	1200	3	✓	✓	10"	✓
VSL47212RC	18"	70 3/8"	S/S	✓	1200	4	✓	✓	10"	✓



600 CFM MODELS



1200 CFM MODELS



800 WEST GRANT STREET
PHOENIX, AZ 85007

1-800-955-5737

602-900-8500

T - W U S A . C O M



Trade-Wind Manufacturing, LLC has a policy of continuous improvements and reserves the right to modify (at any time without notice) any or all of its products, features, designs, components and specifications. For further information on installation and wiring, see the installation instructions included with the product or visit us on the web.

© 2023 TRADE-WIND MANUFACTURING, LLC

PERFORMANCE · QUALITY · CUSTOMER SERVICE

QUIET OPERATION

- Large 3-speed blower operates at lower RPM reducing the sound level

ENDURING QUALITY

- Commercial grade stainless steel (#304 grade) and galvanized steel construction
- LED lights brighten cooking area
- CFM and sound tested by Energy Systems Laboratory at Texas A&M University

DISTINCTIVE LOW-PROFILE DESIGN

- Style complements ALL custom and manufactured wood hood designs
- Simplicity of design preferred by homeowners

EASE OF OPERATION

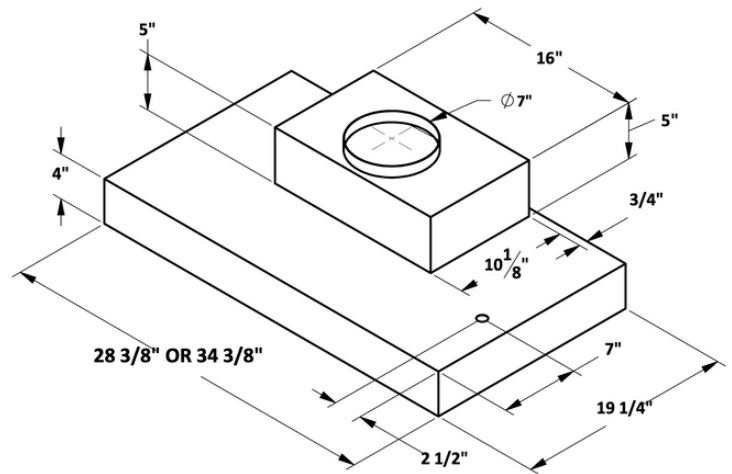
- Remote control included with purchase
- Optional automatic 5 minute shut off timer
- Electronic touch controls with blue LED lighting

SIMPLE INSTALLATION

- Installs easily in standard size or custom-built wood range hoods
- Wiring diagram label for simple electrical connection

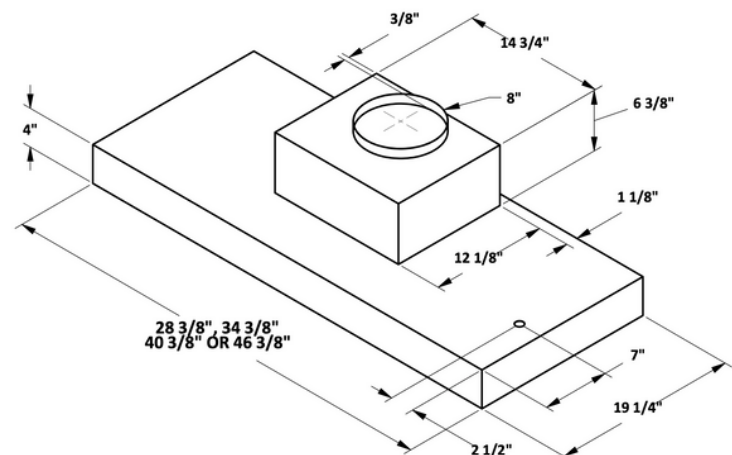
EASY CLEANING

- Dishwasher-safe commercial-style baffle filters with 2 easy-grip handles
- Detergent inlet holes and grease exit holes in baffle filters for superior dishwasher cleaning



390 CFM MODELS

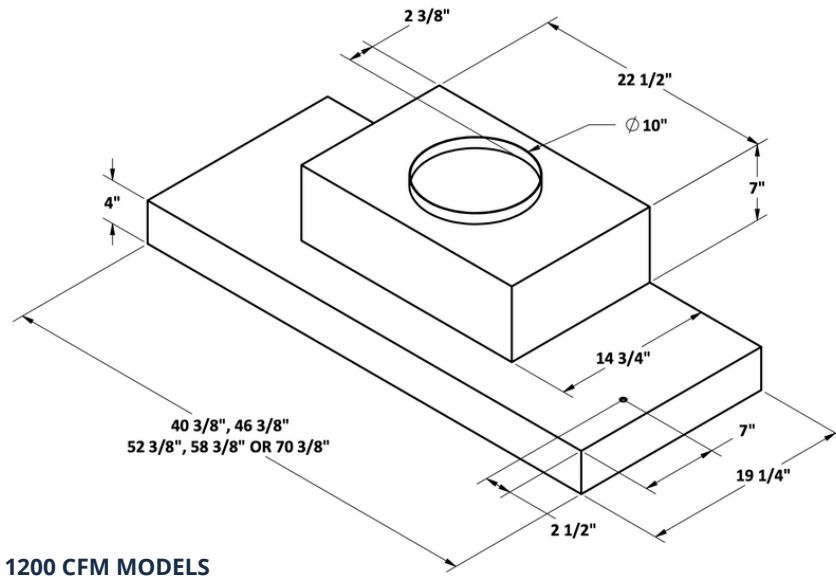
OPTIONAL DUCTLESS CONVERSION KIT MODEL#: 5BL-39-400-DCK



600 CFM MODELS



MODEL	FRONT TO BACK	WIDTH	COLOR	3-SPEED INTERNAL BLOWER	CFM	LED LIGHTS	S/S BAFFLE FILTERS	REMOTE CONTROL	DUCT COLLAR	ELECTRONIC TOUCH CONTROL
VSL430319RC	19 1/4"	28 3/8"	S/S	✓	390	2	✓	✓	7"	✓
VSL430619RC	19 1/4"	28 3/8"	S/S	✓	600	2	✓	✓	8"	✓
VSL436319RC	19 1/4"	34 3/8"	S/S	✓	390	2	✓	✓	7"	✓
VSL436619RC	19 1/4"	34 3/8"	S/S	✓	600	2	✓	✓	8"	✓
VSL442619RC	19 1/4"	40 3/8"	S/S	✓	600	2	✓	✓	8"	✓
VSL4421219RC	19 1/4"	40 3/8"	S/S	✓	1200	2	✓	✓	10"	✓
VSL448619RC	19 1/4"	46 3/8"	S/S	✓	600	3	✓	✓	8"	✓
VSL4481219RC	19 1/4"	46 3/8"	S/S	✓	1200	3	✓	✓	10"	✓
VSL4541219RC	19 1/4"	52 3/8"	S/S	✓	1200	3	✓	✓	10"	✓
VSL4601219RC	19 1/4"	58 3/8"	S/S	✓	1200	3	✓	✓	10"	✓
VSL4721219RC	19 1/4"	70 3/8"	S/S	✓	1200	4	✓	✓	10"	✓



For more information, please contact your dealer or your Trade-Wind® representative.



800 WEST GRANT STREET
PHOENIX, AZ 85007
1-800-955-5737
602-900-8500
T-WUSA.COM



Trade-Wind Manufacturing, LLC has a policy of continuous improvements and reserves the right to modify (at any time without notice) any or all of its products, features, designs, components and specifications. For further information on installation and wiring, see the installation instructions included with the product or visit us on the web.

PERFORMANCE · QUALITY · CUSTOMER SERVICE

QUIET OPERATION

- Large 3-speed blower operates at lower RPM reducing the sound level

ENDURING QUALITY

- Commercial grade stainless steel (#304 grade) and galvanized steel construction
- LED lights brighten cooking area
- CFM and sound tested by Energy Systems Laboratory at Texas A&M University

DISTINCTIVE LOW-PROFILE DESIGN

- Style complements ALL custom hoods and manufactured wood hood designs
- Simplicity of design preferred by homeowners

EASE OF OPERATION

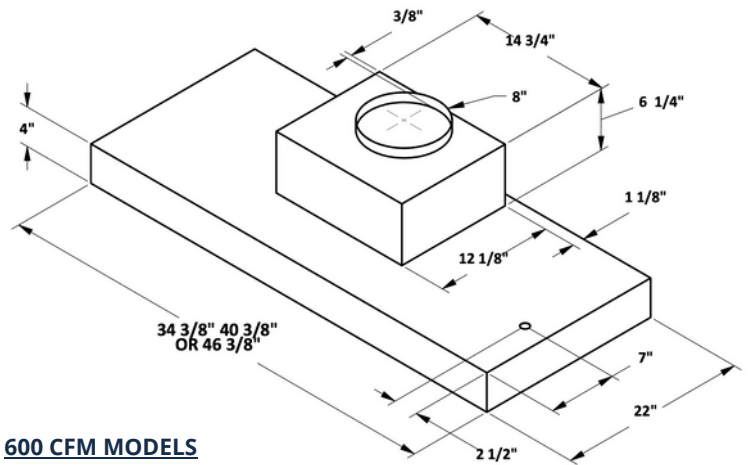
- Remote control included with purchase
- Optional automatic 5 minute shut off timer
- Electronic touch controls with blue LED lighting

SIMPLE INSTALLATION

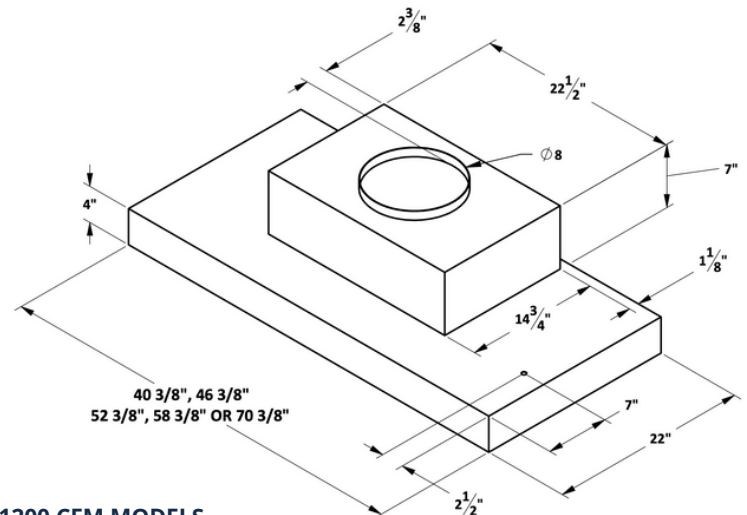
- Installs easily in standard size or custom-built range hoods
- Wiring diagram label for simple electrical connection

EASY CLEANING

- Dishwasher-safe commercial-style baffle filters with 2 easy-grip handles
- Detergent inlet holes and grease exit holes in baffle filters for superior dishwasher cleaning



600 CFM MODELS



1200 CFM MODELS



MODEL	FRONT TO BACK	WIDTH	COLOR	3-SPEED INTERNAL BLOWER	CFM	LED LIGHTS	S/S BAFFLE FILTERS	REMOTE CONTROL	DUCT COLLAR	ELECTRONIC TOUCH CONTROL
VSL436622RC	22"	34 3/8"	S/S	✓	600	2	✓	✓	8"	✓
VSL442622RC	22"	40 3/8"	S/S	✓	600	2	✓	✓	8"	✓
VSL4421222RC	22"	40 3/8"	S/S	✓	1200	2	✓	✓	10"	✓
VSL448622RC	22"	46 3/8"	S/S	✓	600	3	✓	✓	8"	✓
VSL4481222RC	22"	46 3/8"	S/S	✓	1200	3	✓	✓	10"	✓
VSL4541222RC	22"	52 3/8"	S/S	✓	1200	3	✓	✓	10"	✓
VSL4601222RC	22"	58 3/8"	S/S	✓	1200	3	✓	✓	10"	✓
VSL4721222RC	22"	70 3/8"	S/S	✓	1200	4	✓	✓	10"	✓



For more information, please contact your dealer or your Trade-Wind® representative.



800 WEST GRANT STREET
PHOENIX, AZ 85007
1-800-955-5737
602-900-8500
T-WUSA.COM



Trade-Wind Manufacturing, LLC has a policy of continuous improvements and reserves the right to modify (at any time without notice) any or all of its products, features, designs, components and specifications. For further information on installation and wiring, see the installation instructions included with the product or visit us on the web.

PERFORMANCE · QUALITY · CUSTOMER SERVICE

QUIET OPERATION

- Variable rotary blower control reduces blower and air movement sound level
- Sound absorbing duct silencers are available

EASE OF OPERATION

- Adjusting the CFM is easy with the variable control
- Bright, dimmable LED lights
- Slip resistant control knobs

DISTINCTIVE LOW-PROFILE DESIGN

- Low-profile allows for flexible design options
- Style complements ALL custom and manufactured wood hood designs
- Simplicity of design preferred by homeowners

EASY CLEANING

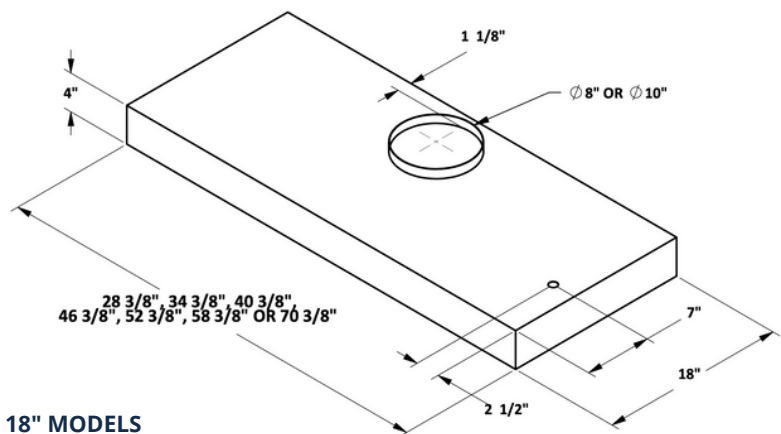
- Dishwasher-safe commercial-style baffle filters with 2 easy-grip handles
- Detergent inlet holes and grease exit holes in baffle filters for superior dishwasher cleaning

SIMPLE INSTALLATION

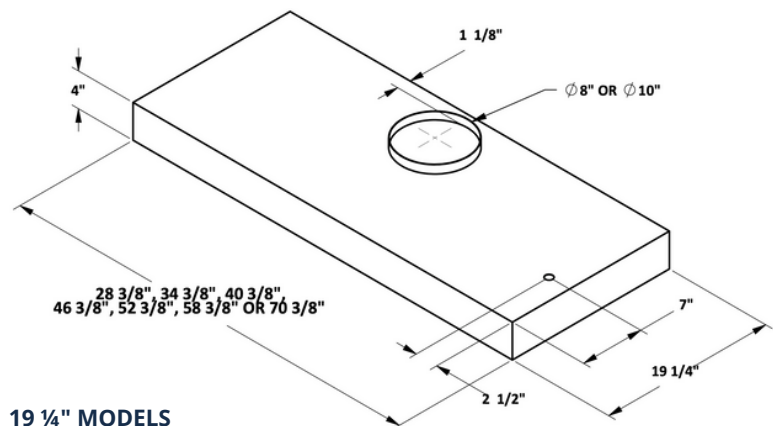
- Installs easily in standard size or custom-built wood range hoods
- Wiring diagram label for simple electrical connection
- Pre-wired for use with single-speed in-line or external blowers

ENDURING QUALITY

- Commercial grade stainless steel (#304 grade) and galvanized steel construction



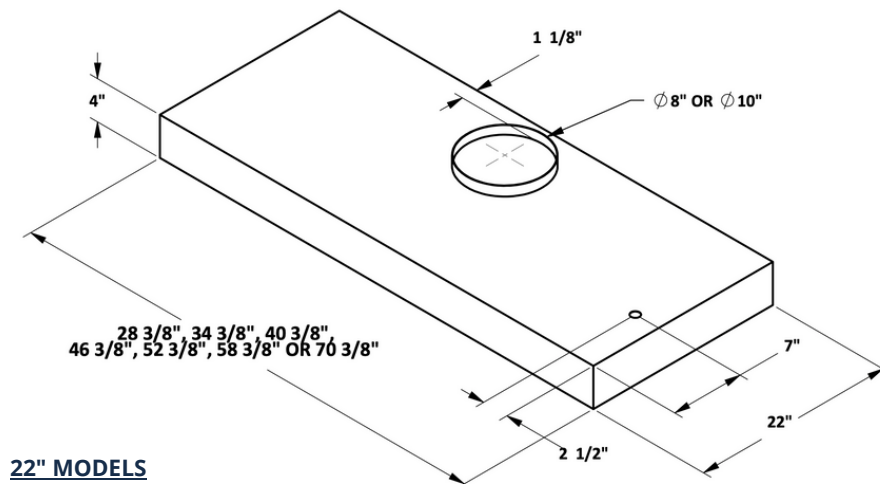
18" MODELS



19 1/4" MODELS



MODEL	FRONT TO BACK	WIDTH	COLOR	LED LIGHTS	S/S BAFFLE FILTERS	REMOTE CONTROL	DUCT COLLAR	VARIABLE ROTARY CONTROL
VSL430BF	18"	28 3/8"	S/S	2	✓	N/A	8"	✓
VSL436BF	18"	34 3/8"	S/S	2	✓	N/A	8"	✓
VSL436-0-19BF	19 1/4"	34 3/8"	S/S	2	✓	N/A	8"	✓
VSL436-0-22BF	22"	34 3/8"	S/S	2	✓	N/A	8"	✓
VSL442BF	18"	40 3/8"	S/S	2	✓	N/A	8"	✓
VSL442-0-19BF	19 1/4"	40 3/8"	S/S	2	✓	N/A	8"	✓
VSL442-0-22BF	22"	40 3/8"	S/S	2	✓	N/A	8"	✓
VSL448BF	18"	46 3/8"	S/S	3	✓	N/A	10"	✓
VSL448-0-19BF	19 1/4"	46 3/8"	S/S	3	✓	N/A	10"	✓
VSL448-0-22BF	22"	46 3/8"	S/S	3	✓	N/A	10"	✓
VSL454BF	18"	52 3/8"	S/S	3	✓	N/A	10"	✓
VSL454-0-19BF	19 1/4"	52 3/8"	S/S	3	✓	N/A	10"	✓
VSL454-0-22BF	22"	52 3/8"	S/S	3	✓	N/A	10"	✓
VSL460BF	18"	58 3/8"	S/S	3	✓	N/A	10"	✓
VSL460-0-19BF	19 1/4"	58 3/8"	S/S	3	✓	N/A	10"	✓
VSL460-0-22BF	22"	58 3/8"	S/S	3	✓	N/A	10"	✓
VSL472BF	18"	70 3/8"	S/S	4	✓	N/A	10"	✓
VSL472-0-19BF	19 1/4"	70 3/8"	S/S	4	✓	N/A	10"	✓
VSL472-0-22BF	22"	70 3/8"	S/S	4	✓	N/A	10"	✓



For more information, please contact your dealer or your Trade-Wind® representative.



800 WEST GRANT STREET
PHOENIX, AZ 85007
1-800-955-5737
602-900-8500
T - W U S A . C O M



Trade-Wind Manufacturing, LLC has a policy of continuous improvements and reserves the right to modify (at any time without notice) any or all of its products, features, designs, components and specifications. For further information on installation and wiring, see the installation instructions included with the product or visit us on the web.

PERFORMANCE · QUALITY · CUSTOMER SERVICE

QUIET OPERATION

- Large 3-speed blower operates at lower RPM reducing the sound level.

DISTINCTIVE DESIGN

- Style complements ALL kitchen designs
- Electronic touch controls with blue LED lighting
- Simplicity of design preferred by homeowners
- Designed to fit perfectly in 12" upper cabinet

EASY CLEANING

- Dishwasher-safe commercial-style baffle filters with 2 easy-grip handles
- Detergent inlet holes and grease exit holes in baffle filters for superior dishwasher cleaning

SIMPLE INSTALLATION

- Installs easily in standard size upper cabinets or custom-built wood range hoods
- Wiring diagram label for simple electrical connection

EASE OF OPERATION

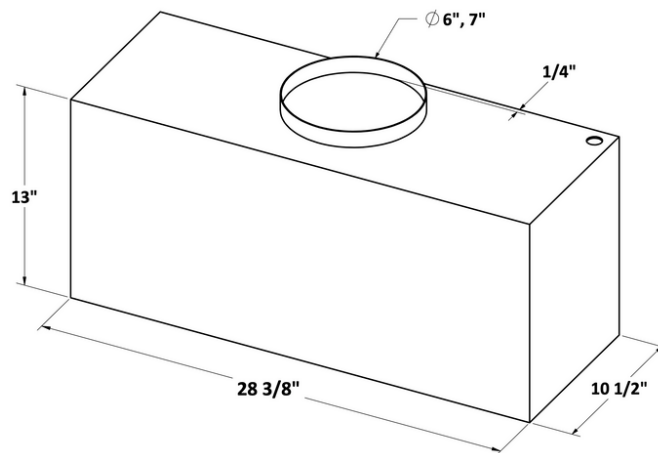
- Remote control included with purchase
- Optional automatic 5 minute shut off timer

ENDURING QUALITY

- Commercial grade stainless steel (#304 grade) and galvanized steel construction
- LED light brightens cooking area, equivalent to 50W Halogen
- CFM and sound tested by Energy Systems Laboratory at Texas A&M University

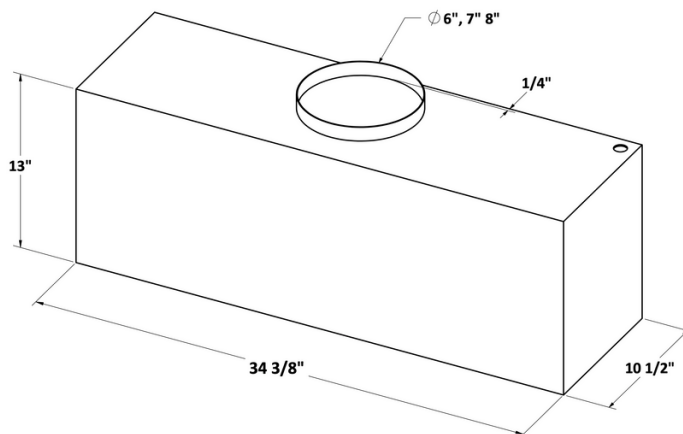


MODEL	FRONT TO BACK	WIDTH	COLOR	3-SPEED INTERNAL BLOWER	CFM	LED LIGHTS	S/S BAFFLE FLITERS	REMOTE CONTROL	DUCT COLLAR	ELECTRONIC TOUCH CONTROL
I32302RC	10 1/2"	28 3/8"	S/S	✓	290	1	✓	✓	6"	✓
I32303RC	10 1/2"	28 3/8"	S/S	✓	390	1	✓	✓	7"	✓
I32362RC	10 1/2"	34 3/8"	S/S	✓	290	1	✓	✓	6"	✓
I32363RC	10 1/2"	34 3/8"	S/S	✓	390	1	✓	✓	7"	✓
I32366RC	10 1/2"	34 3/8"	S/S	✓	600	1	✓	✓	8"	✓



I3230 - MODELS

OPTIONAL DUCTLESS CONVERSION KIT MODEL #: 5BL-33-I30-DCK (290 & 390 CFM MODELS)



I3236 - MODELS

OPTIONAL DUCTLESS CONVERSION KIT MODEL #: 5BL-33-I36-DCK (290 & 390 CFM MODELS)

For more information, please contact your dealer or your Trade-Wind® representative.



800 WEST GRANT STREET
PHOENIX, AZ 85007
1-800-955-5737
602-900-8500
T - W U S A . C O M



Trade-Wind Manufacturing, LLC has a policy of continuous improvements and reserves the right to modify (at any time without notice) any or all of its products, features, designs, components and specifications. For further information on installation and wiring, see the installation instructions included with the product or visit us on the web.

PERFORMANCE · QUALITY · CUSTOMER SERVICE

QUIET OPERATION

- Large 3-speed blower operates at lower RPM reducing the sound level

EASE OF OPERATION

- Remote control included with purchase
- Optional automatic 5 minute shut off timer
- Electronic touch controls with blue LED lighting

EASY CLEANING

- Dishwasher-safe commercial-style baffle filters with 2 easy-grip handles
- Detergent inlet holes and grease exit holes in baffle filters for superior dishwasher cleaning

SIMPLE INSTALLATION

- Includes simple wall mount brackets
- Wiring diagram label for simple electrical connection
- Under cabinet mount option (as shown)

DISTINCTIVE LOW-PROFILE DESIGN

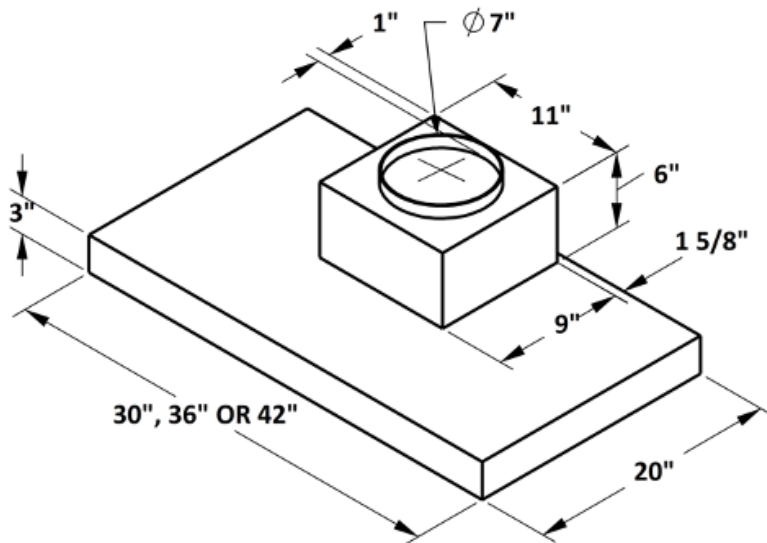
- Contemporary low-profile design with telescopic 10' ceiling duct cover included
- Optional telescopic 12' ceiling duct cover

ENDURING QUALITY

- Commercial grade stainless steel (#304 grade) and galvanized steel construction
- LED lights brighten cooking area
- CFM and sound tested by Energy Systems Laboratory at Texas A&M University

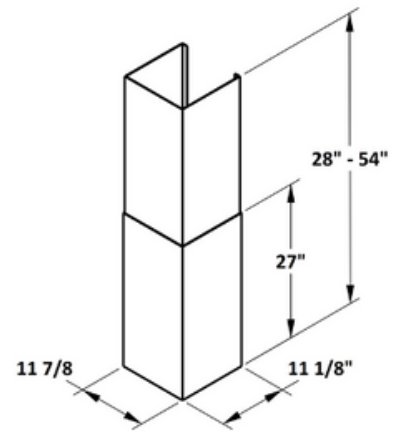


MODEL	FRONT TO BACK	WIDTH	COLOR	3-SPEED INTERNAL BLOWER	CFM	LED LIGHTS	S/S BAFFLE FILTERS	REMOTE CONTROL	DUCT COLLAR	ELECTRONIC TOUCH CONTROL
30303RC	20"	30"	S/S	✓	390	2	✓	✓	7"	✓
30363RC	20"	36"	S/S	✓	390	2	✓	✓	7"	✓
30423RC	20"	42"	S/S	✓	390	2	✓	✓	7"	✓



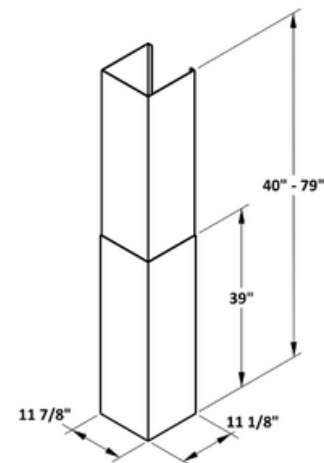
RANGE HOODS

OPTIONAL DUCTLESS CONVERSION KIT MODEL #: 5BL-33-300-DCK1



DUCT COVER

*Included for ceilings 8' to 10'



DUCT COVER: MODEL #: DC3000-12

*Sold separately for ceilings 10' to 12'

For more information, please contact your dealer or your Trade-Wind® representative.



800 WEST GRANT STREET
PHOENIX, AZ 85007
1-800-955-5737
602-900-8500
T-WUSA.COM



Trade-Wind Manufacturing, LLC has a policy of continuous improvements and reserves the right to modify (at any time without notice) any or all of its products, features, designs, components and specifications. For further information on installation and wiring, see the installation instructions included with the product or visit us on the web.

PERFORMANCE · QUALITY · CUSTOMER SERVICE

QUIET OPERATION

- Large 3-speed blower operates at lower RPM reducing the sound level

EASY CLEANING

- Dishwasher-safe commercial-style baffle filters with 2 easy-grip handles
- Detergent inlet holes and grease exit holes in baffle filters for superior dishwasher cleaning

DISTINCTIVE LOW-PROFILE DESIGN

- Pyramid hood shape with telescopic duct cover to 10' ceiling included
- Electronic touch controls with blue LED lighting
- Simplicity of design preferred by homeowners

EASE OF OPERATION

- Remote control included with purchase
- Optional automatic 5 minute shut off timer

SIMPLE INSTALLATION

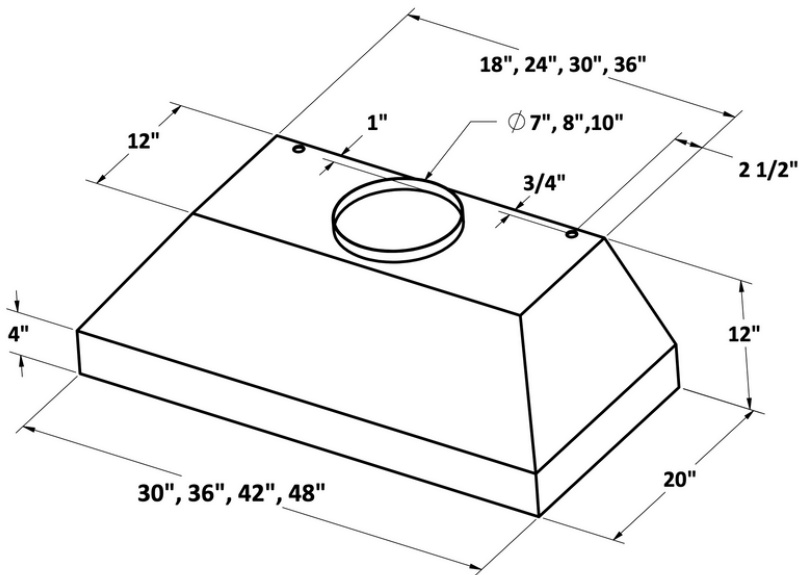
- Installs easily to desired ceiling height with telescopic duct cover
- Wiring diagram label for simple electrical connection

ENDURING QUALITY

- Commercial grade stainless steel (#304 grade) and galvanized steel construction
- LED lights brighten cooking area
- CFM and sound tested by Energy Systems Laboratory at Texas A&M University

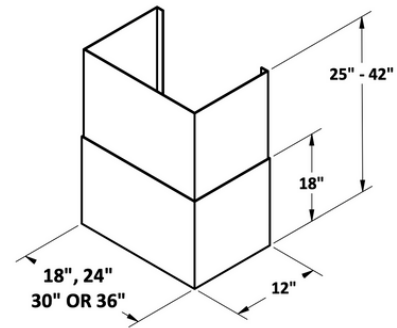


MODEL	FRONT TO BACK	WIDTH	COLOR	3-SPEED INTERNAL BLOWER	CFM	LED LIGHTS	S/S BAFFLE FILTERS	REMOTE CONTROL	DUCT COLLAR	ELECTRONIC TOUCH CONTROL
P32303RC	20"	30"	S/S	✓	390	2	✓	✓	7"	✓
P32306RC	20"	30"	S/S	✓	600	2	✓	✓	8"	✓
P32363RC	20"	36"	S/S	✓	390	2	✓	✓	7"	✓
P32366RC	20"	36"	S/S	✓	600	2	✓	✓	8"	✓
P32423RC	20"	42"	S/S	✓	390	2	✓	✓	7"	✓
P32426RC	20"	42"	S/S	✓	600	2	✓	✓	8"	✓
P32487RC	20"	48"	S/S	✓	780	3	✓	✓	10"	✓



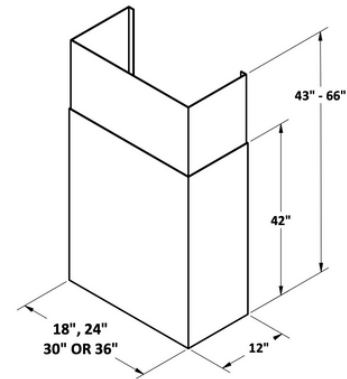
RANGE HOODS

OPTIONAL DUCTLESS CONVERSION KIT MODEL #: 5BL-33-300-DCK1 (390 CFM MODELS ONLY)



DUCT COVER

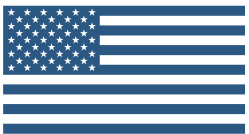
*Included for ceilings 8' to 10'



DUCT COVERS: MODEL #: PDC3230, PDC3236, PDC3242, PDC3248

*Sold separately for ceilings 10' to 12'

For more information, please contact your dealer or your Trade-Wind® representative.



800 WEST GRANT STREET
PHOENIX, AZ 85007
1-800-955-5737
602-900-8500
T - W U S A . C O M



Trade-Wind Manufacturing, LLC has a policy of continuous improvements and reserves the right to modify (at any time without notice) any or all of its products, features, designs, components and specifications. For further information on installation and wiring, see the installation instructions included with the product or visit us on the web.

PERFORMANCE · QUALITY · CUSTOMER SERVICE

QUIET OPERATION

- Large 3-speed blower operates at lower RPM reducing the sound level

EASY CLEANING

- Dishwasher-safe commercial-style baffle filters with 2 easy-grip handles
- Detergent inlet holes and grease exit holes in baffle filters for superior dishwasher cleaning

DISTINCTIVE LOW-PROFILE DESIGN

- Style complements ALL kitchen designs
- Electronic touch controls with blue LED lighting
- Simplicity of design preferred by homeowners

EASE OF OPERATION

- Remote control included with purchase
- Optional automatic 5 minute shut off timer

SIMPLE INSTALLATION

- Installs easily under standard size upper cabinets
- Wiring diagram label for simple electrical connection

ENDURING QUALITY

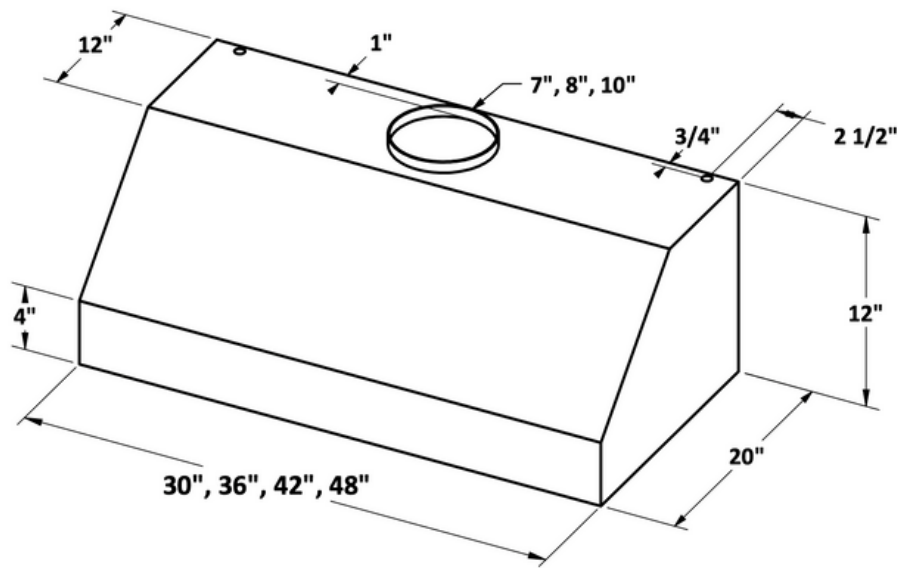
- Commercial grade stainless steel (#304 grade) and galvanized steel construction
- LED lights brighten cooking area
- CFM and sound tested by Energy Systems Laboratory at Texas A&M University



PHOTO COMING
SOON



MODEL	FRONT TO BACK	WIDTH	COLOR	3-SPEED INTERNAL BLOWER	CFM	LED LIGHTS	S/S BAFFLE FILTERS	REMOTE CONTROL	DUCT COLLAR	ELECTRONIC TOUCH CONTROL
H32303RC	20"	30"	S/S	✓	390	2	✓	✓	7"	✓
H32306RC	20"	30"	S/S	✓	600	2	✓	✓	8"	✓
H32363RC	20"	36"	S/S	✓	390	2	✓	✓	7"	✓
H32366RC	20"	36"	S/S	✓	600	2	✓	✓	8"	✓
H32423RC	20"	42"	S/S	✓	390	2	✓	✓	7"	✓
H32426RC	20"	42"	S/S	✓	600	2	✓	✓	8"	✓
H32487RC	20"	48"	S/S	✓	780	3	✓	✓	10"	✓



RANGE HOODS

OPTIONAL DUCTLESS CONVERSION KIT MODEL #: 5BL-33-300-DCK1 (390 CFM MODELS ONLY)

For more information, please contact your dealer or your Trade-Wind® representative.



800 WEST GRANT STREET
PHOENIX, AZ 85007
1-800-955-5737
602-900-8500
T - W U S A . C O M



Trade-Wind Manufacturing, LLC has a policy of continuous improvements and reserves the right to modify (at any time without notice) any or all of its products, features, designs, components and specifications. For further information on installation and wiring, see the installation instructions included with the product or visit us on the web.

PERFORMANCE · QUALITY · CUSTOMER SERVICE

INDUSTRY LEADING PERFORMANCE

- 1200 CFM internal blower in 36", 42", and 48" models
- 2300 CFM internal blowers in 60" and 72" models
- Optional in-line blower delivers 1266 CFM
- Easy conversion to horizontal ducting

OPTIMAL SMOKE CAPTURE AREA

- Full grill coverage of 32" front to back
- 24" tall for increased capture area
- Double bank of S/S baffle filters for better capture

EASY CLEANING

- Dishwasher-safe commercial-style baffle filters with 2 easy-grip handles
- Detergent inlet holes and grease exit holes in baffle filters for superior dishwasher cleaning

DISTINCTIVE DESIGN

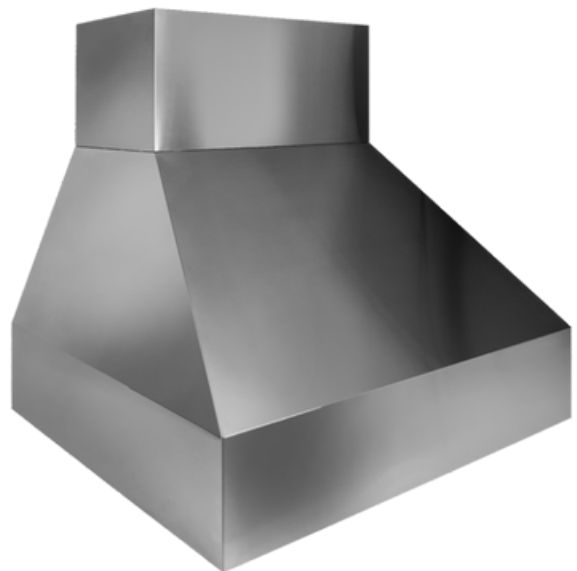
- Pyramid hood shape with telescopic duct cover to 10' ceiling included
- Optional telescopic duct cover to 12' ceiling

EASE OF OPERATION

- 3-speed blower control (internal blower models)
- Variable blower control (in-line/remote models)
- Dimmable 50-watt halogen lights
- Slip-resistant control knobs

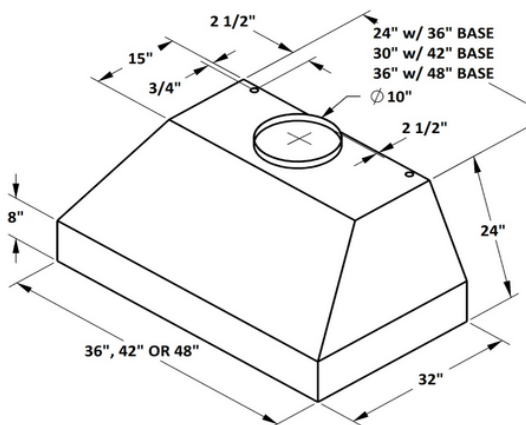
ENDURING QUALITY

- Commercial grade stainless steel (#304 grade) and galvanized steel construction

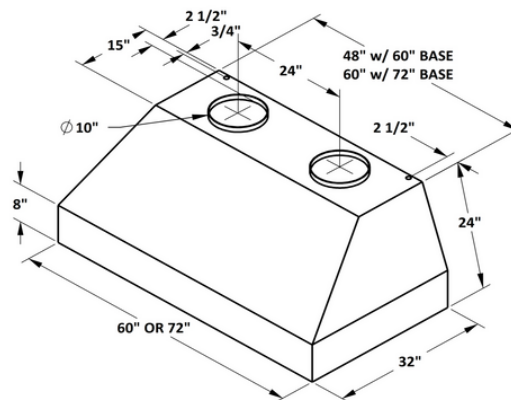


MODEL	DRAWING BELOW	FRONT TO BACK	WIDTH	COLOR	CFM	3-SPEED INTERNAL BLOWER	IN-LINE OR REMOTE BLOWER	HALOGEN LIGHTS	S/S BAFFLE FLITERS	CONVERTIBLE DUCTING	DUCT COLLAR	DIMMABLE LIGHT CONTROL
P7236	A	32"	36"	S/S			✓	2	✓	✓	10"	✓
P7236-12	A	32"	36"	S/S	1200	✓		2	✓	✓	10"	✓
*P723612EXT	A	32"	36"	S/S	1200	✓		2	✓	✓	10"	✓
P7242	A	32"	42"	S/S			✓	2	✓	✓	10"	✓
P7242-12	A	32"	42"	S/S	1200	✓		2	✓	✓	10"	✓
*P724212EXT	A	32"	42"	S/S	1200	✓		2	✓	✓	10"	✓
P7248	A	32"	48"	S/S			✓	3	✓	✓	10"	✓
P7248-12	A	32"	48"	S/S	1200	✓		3	✓	✓	10"	✓
*P724812EXT	A	32"	48"	S/S	1200	✓		3	✓	✓	10"	✓
P7260	B	32"	60"	S/S			✓	4	✓	✓	2 X 10"	✓
P7260-23	B	32"	60"	S/S	2300	✓		4	✓	✓	2 X 10"	✓
P7272	B	32"	72"	S/S			✓	4	✓	✓	2 X 10"	✓
P7272-23	B	32"	72"	S/S	2300	✓		4	✓	✓	2 X 10"	✓

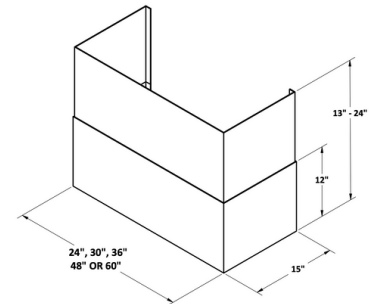
*EXT MODELS COME WITH TELESCOPIC DUCT COVER TO 12' CEILING



A. RANGE HOODS (36", 42", 48")

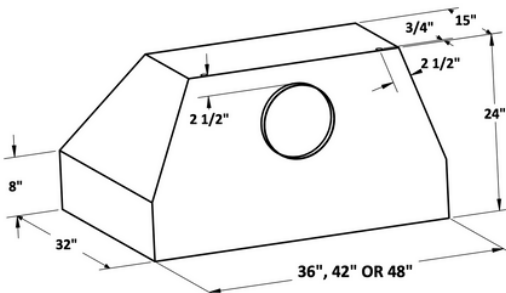


B. RANGE HOODS (60" OR 72")

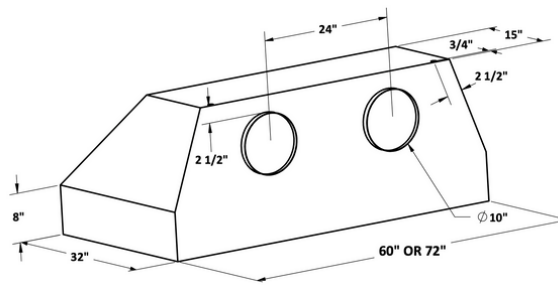


DUCT COVERS

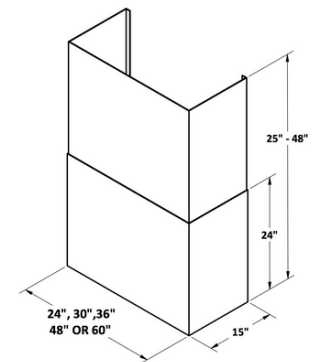
*Included for ceilings 9' to 10'



A. REAR OPTION CONVERSION



B. REAR OPTION CONVERSION



DUCT COVERS: MODEL #: PDC7236, PDC7242, PDC7248, PDC7260, PDC7272

*Sold separately for ceilings 10' to 12'



800 WEST GRANT STREET
PHOENIX, AZ 85007
1-800-955-5737
602-900-8500
T-WUSA.COM



Trade-Wind Manufacturing, LLC has a policy of continuous improvements and reserves the right to modify (at any time without notice) any or all of its products, features, designs, components and specifications. For further information on installation and wiring, see the installation instructions included with the product or visit us on the web.



PERFORMANCE · QUALITY · CUSTOMER SERVICE

INDUSTRY LEADING PERFORMANCE

- 1200 CFM internal blower in 48" model
- Optional in-line blower delivers 1266 CFM

OPTIMAL SMOKE CAPTURE AREA

- Full grill coverage of 32" front to back
- 24" tall for increased capture area
- Double bank of S/S baffle filters for better capture

EASE OF OPERATION

- 3-speed blower control (internal blower models)
- Variable blower control (in-line/remote models)
- Dimmable 50-watt halogen lights
- Slip-resistant control knobs

DISTINCTIVE DESIGN

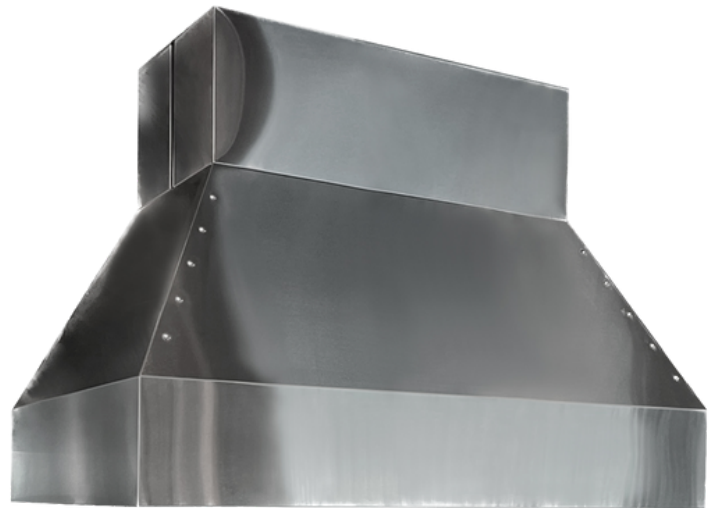
- Pyramid hood shape with duct cover to 10' ceiling included
- Duct cover telescopes for perfect height over grill

EASY CLEANING

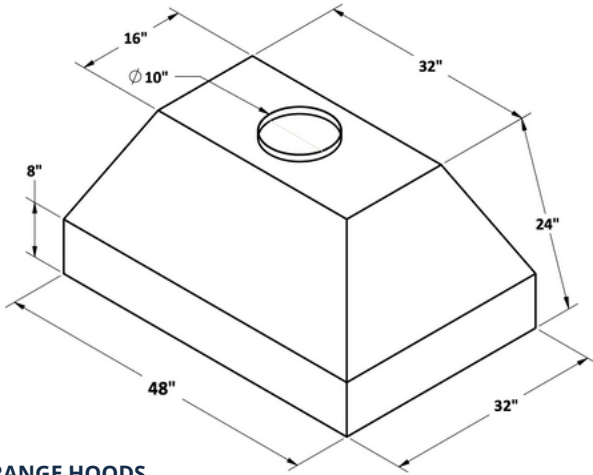
- Dishwasher-safe commercial-style baffle filters with 2 easy-grip handles
- Detergent inlet holes and grease exit holes in baffle filters for superior dishwasher cleaning

ENDURING QUALITY

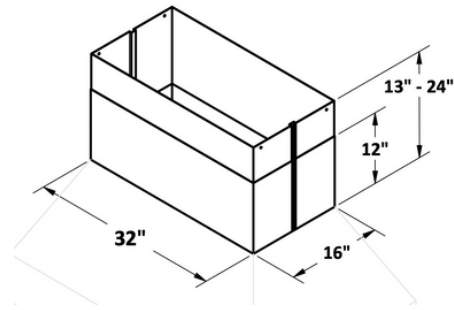
- Commercial grade stainless steel (#304 grade) and galvanized steel construction



MODEL	FRONT TO BACK	WIDTH	COLOR	CFM	3-SPEED INTERNAL BLOWER	IN-LINE OR REMOTE BLOWER	HALOGEN LIGHTS	S/S BAFFLE FILTERS	DUCT COLLAR	DIMMABLE LIGHT CONTROL
P7248-ISL	32"	48"	S/S			✓	3	✓	10"	✓
P7248-12-ISL	32"	48"	S/S	1200	✓		3	✓	10"	✓



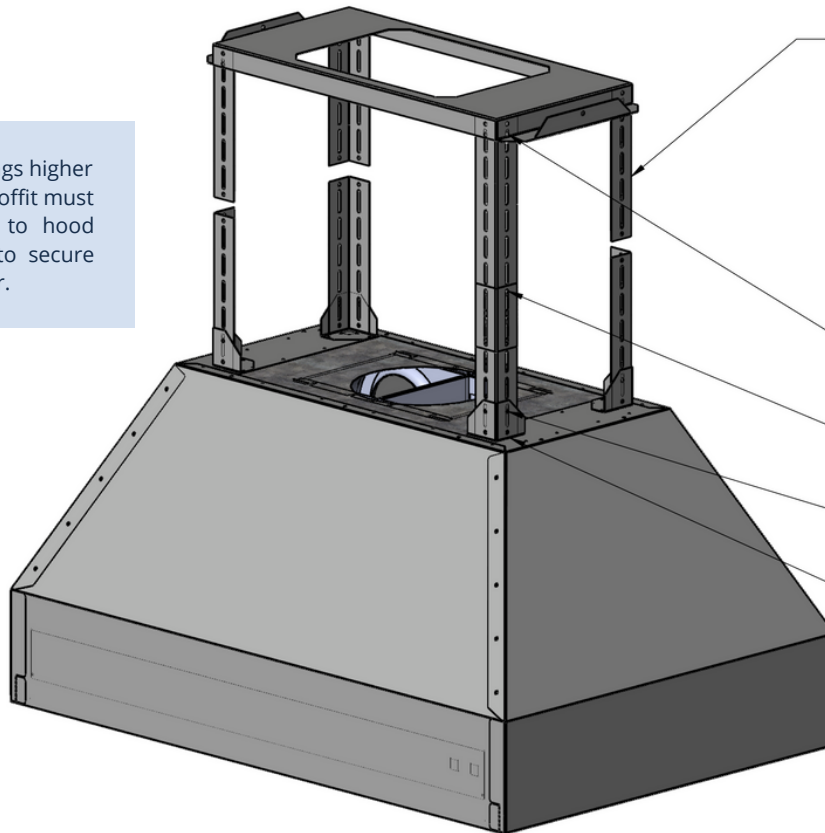
RANGE HOODS



DUCT COVER

***Included** for ceilings up to 10'

IMPORTANT: For ceilings higher than 10', a "chase" or soffit must be constructed prior to hood installation, in order to secure the included duct cover.



For Duct Cover Heights Shorter than 19 1/4":
Use 8 short angle risers

For Duct Cover Heights Taller than 19 1/4":
Use 4 short angle risers
Use 4 long angle risers

Use four 10-24 screws, four 10-24 nylock nuts, and four washers to attach each lower riser to ceiling mount

Use four 10-24 screws, four 10-24 nylock nuts, and four washers to attach each lower riser to upper riser

Use four 10-24 screws, four 10-24 nylock nuts, and four washers to attach each lower riser to bracket

User four 10-24 nylock nuts four and washers to attach each bracket to the hood



800 WEST GRANT STREET
PHOENIX, AZ 85007
1-800-955-5737
602-900-8500
T-WUSA.COM



Trade-Wind Manufacturing, LLC has a policy of continuous improvements and reserves the right to modify (at any time without notice) any or all of its products, features, designs, components and specifications. For further information on installation and wiring, see the installation instructions included with the product or visit us on the web.

© 2023 TRADE-WIND MANUFACTURING, LLC

PERFORMANCE · QUALITY · CUSTOMER SERVICE

INDUSTRY LEADING PERFORMANCE

- 1200 CFM internal blower in 36", 42", and 48" models
- 2300 CFM internal blowers in 54", 60", 66", and 72" models
- Optional in-line blower delivers 1266 CFM
- Easy conversion to horizontal ducting

OPTIMAL SMOKE CAPTURE AREA

- Full grill coverage of 32" front to back
- 24" tall for increased capture area
- Double bank of S/S baffle filters for better capture

ENDURING QUALITY

- Commercial grade stainless steel (#304 grade) and galvanized steel construction

DISTINCTIVE DESIGN

- Straight-sided hood shape with optional telescopic duct cover to 10' ceiling
- Optional telescopic 12' ceiling duct cover

EASY CLEANING

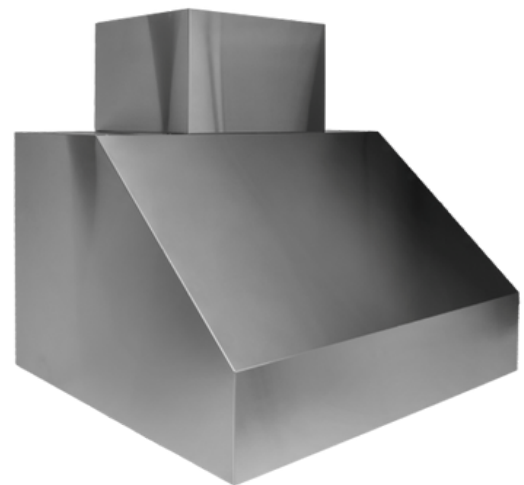
- Dishwasher-safe commercial-style baffle filters with 2 easy-grip handles
- Detergent inlet holes and grease exit holes in baffle filters for superior dishwasher cleaning

EASE OF OPERATION

- 3-speed blower control (internal blower models)
- Variable blower control (in-line/remote models)
- Dimmable 50-watt halogen lights
- Slip-resistant control knobs



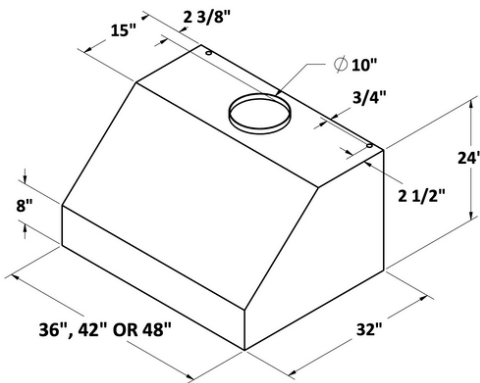
*SHOWN WITH OPTIONAL CUSTOM DUCT COVER



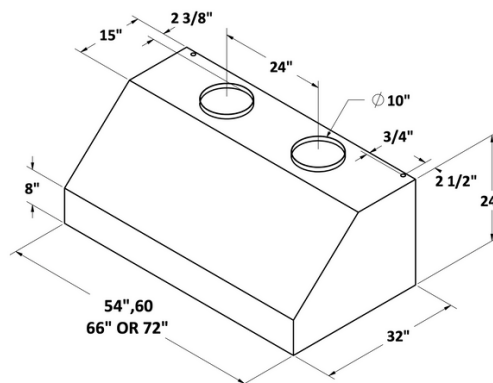
*SHOWN WITH OPTIONAL 18" WIDE DUCT COVER



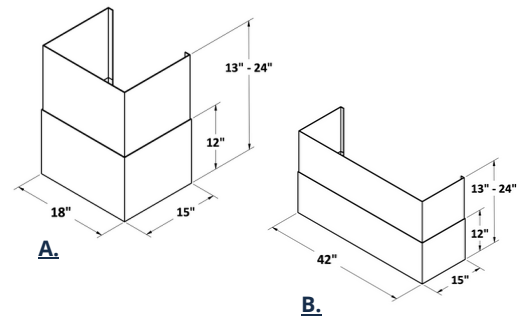
MODEL	DRAWING BELOW	FRONT TO BACK	WIDTH	COLOR	CFM	3-SPEED INTERNAL BLOWER	IN-LINE OR REMOTE BLOWER	HALOGEN LIGHTS	S/S BAFFLE FILTERS	CONVERTIBLE DUCTING	DUCT COLLAR	DIMMABLE LIGHT CONTROL
S7236CD	A	32"	36"	S/S			✓	2	✓	✓	10"	✓
S723612CD	A	32"	36"	S/S	1200	✓		2	✓	✓	10"	✓
S7242CD	A	32"	42"	S/S			✓	2	✓	✓	10"	✓
S724212CD	A	32"	42"	S/S	1200	✓		2	✓	✓	10"	✓
S7248CD	A	32"	48"	S/S			✓	3	✓	✓	10"	✓
S724812CD	A	32"	48"	S/S	1200	✓		3	✓	✓	10"	✓
S7254CD	B	32"	54"	S/S			✓	3	✓	✓	2 X 10"	✓
S725423CD	B	32"	54"	S/S	2300	✓		3	✓	✓	2 X 10"	✓
S7260CD	B	32"	60"	S/S			✓	4	✓	✓	2 X 10"	✓
S726023CD	B	32"	60"	S/S	2300	✓		4	✓	✓	2 X 10"	✓
S7266CD	B	32"	66"	S/S			✓	4	✓	✓	2 X 10"	✓
S726623CD	B	32"	66"	S/S	2300	✓		4	✓	✓	2 X 10"	✓
S7272CD	B	32"	72"	S/S			✓	4	✓	✓	2 X 10"	✓
S727223CD	B	32"	72"	S/S	2300	✓		4	✓	✓	2 X 10"	✓



A. RANGE HOODS (36", 42", 48")

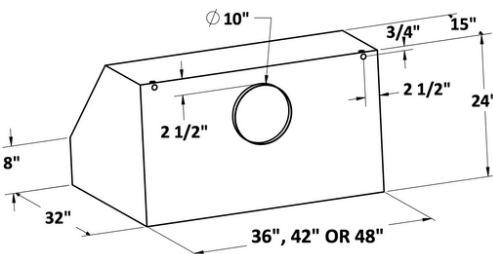


B. RANGE HOODS (54", 60", 66", 72")

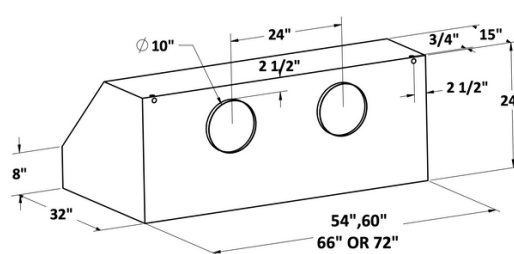


DUCT COVERS: MODEL #: **A.** DC7201S; **B.** DC7201D

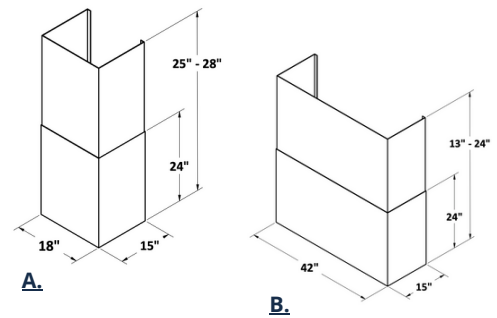
*Sold separately for ceilings 9' to 10'



A. REAR OPTION CONVERSION



B. REAR OPTION CONVERSION



DUCT COVERS: MODEL #: **A.** DC7200S; **B.** DC7200D

*Sold separately for ceilings 10' to 12'



800 WEST GRANT STREET
PHOENIX, AZ 85007
1-800-955-5737
602-900-8500

T - W U S A . C O M



Trade-Wind Manufacturing, LLC has a policy of continuous improvements and reserves the right to modify (at any time without notice) any or all of its products, features, designs, components and specifications. For further information on installation and wiring, see the installation instructions included with the product or visit us on the web.

© 2023 TRADE-WIND MANUFACTURING, LLC

PERFORMANCE · QUALITY · CUSTOMER SERVICE

INDUSTRY LEADING PERFORMANCE

- 1200 CFM internal blower in 36", 42", and 48" models
- 2300 CFM internal blowers in 54", 60", and 72" models
- Optional in-line blower delivers 1266 CFM
- Easy conversion to horizontal ducting

OPTIMAL SMOKE CAPTURE AREA

- Full grill coverage of 32" front to back
- 24" tall for increased capture area
- Double bank of S/S baffle filters for better capture

EASE OF OPERATION

- 3-speed blower control (internal blower models)
- Variable blower control (in-line/remote models)
- Dimmable 50-watt halogen lights
- Slip-resistant control knobs

DISTINCTIVE DESIGN

- Straight-sided hood shape with optional telescopic duct cover to 10' ceiling
- Optional telescopic 12' ceiling duct cover
- Decorative clavos design

EASY CLEANING

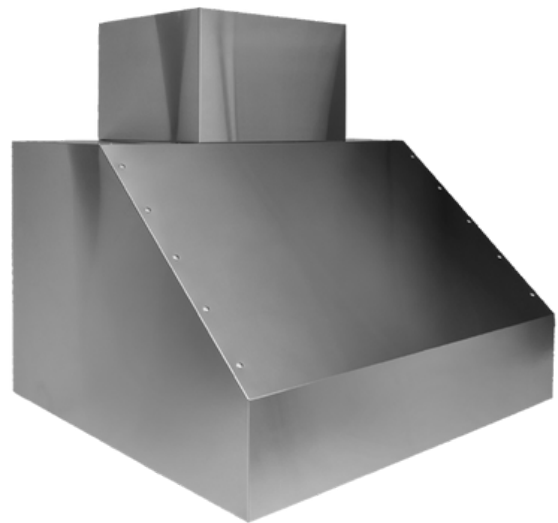
- Dishwasher-safe commercial-style baffle filters with 2 easy-grip handles
- Detergent inlet holes and grease exit holes in baffle filters for superior dishwasher cleaning

ENDURING QUALITY

- Commercial grade stainless steel (#304 grade) and galvanized steel construction



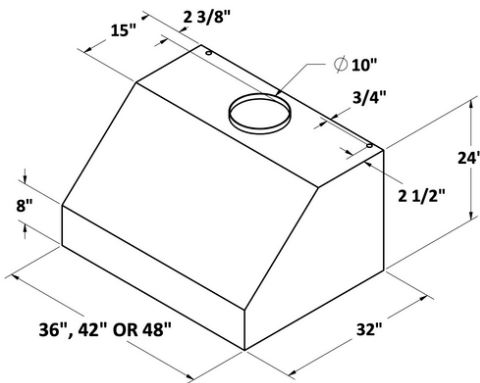
*SHOWN WITH OPTIONAL 42" WIDE DUCT COVER



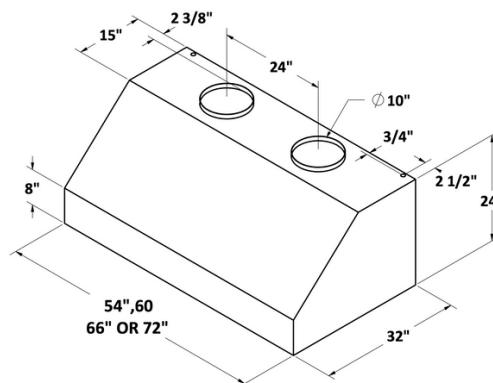
*SHOWN WITH OPTIONAL 18" WIDE DUCT COVER



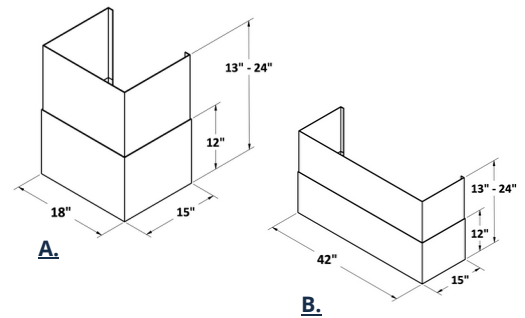
MODEL	DRAWING BELOW	FRONT TO BACK	WIDTH	COLOR	CFM	3-SPEED INTERNAL BLOWER	IN-LINE OR REMOTE BLOWER	HALOGEN LIGHTS	S/S BAFFLE FILTERS	CONVERTIBLE DUCTING	DUCT COLLAR	DIMMABLE LIGHT CONTROL
7236	A	32"	36"	S/S			✓	2	✓	✓	10"	✓
723612	A	32"	36"	S/S	1200	✓		2	✓	✓	10"	✓
7242	A	32"	42"	S/S			✓	2	✓	✓	10"	✓
724212	A	32"	42"	S/S	1200	✓		2	✓	✓	10"	✓
7248	A	32"	48"	S/S			✓	3	✓	✓	10"	✓
724812	A	32"	48"	S/S	1200	✓		3	✓	✓	10"	✓
7254	B	32"	54"	S/S			✓	3	✓	✓	2 X 10"	✓
725423	B	32"	54"	S/S	2300	✓		3	✓	✓	2 X 10"	✓
7260	B	32"	60"	S/S			✓	4	✓	✓	2 X 10"	✓
726023	B	32"	60"	S/S	2300	✓		4	✓	✓	2 X 10"	✓
7272	B	32"	72"	S/S			✓	4	✓	✓	2 X 10"	✓
727223	B	32"	72"	S/S	2300	✓		4	✓	✓	2 X 10"	✓



A. RANGE HOODS (36", 42", 48")

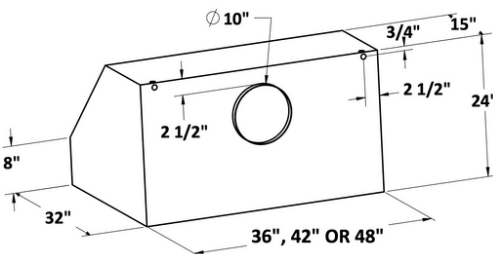


B. RANGE HOODS (54", 60", 66", 72")

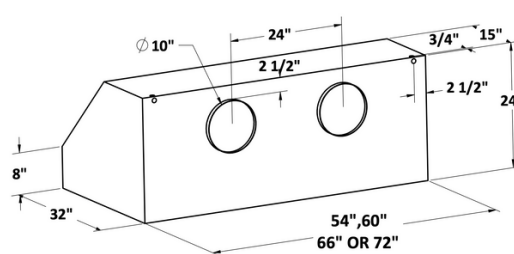


DUCT COVERS: MODEL #: **A.** DC7201S; **B.** DC7201D

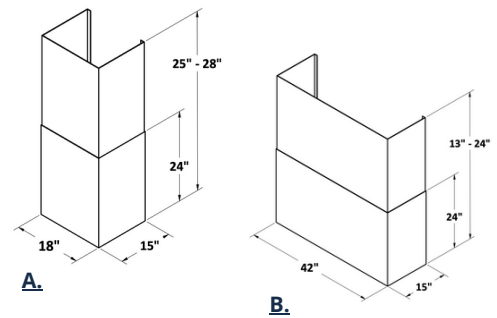
*Sold separately for ceilings 9' to 10'



A. REAR OPTION CONVERSION



B. REAR OPTION CONVERSION



DUCT COVERS: MODEL #: **A.** DC7200S; **B.** DC7200D

*Sold separately for ceilings 10' to 12'



800 WEST GRANT STREET
PHOENIX, AZ 85007
1-800-955-5737
602-900-8500
T - W U S A . C O M



Trade-Wind Manufacturing, LLC has a policy of continuous improvements and reserves the right to modify (at any time without notice) any or all of its products, features, designs, components and specifications. For further information on installation and wiring, see the installation instructions included with the product or visit us on the web.

© 2023 TRADE-WIND MANUFACTURING, LLC

PERFORMANCE · QUALITY · CUSTOMER SERVICE

INDUSTRY LEADING PERFORMANCE

- 1200 CFM internal blower in 36", 42", and 48" models
- 3-speed blower control to select performance level
- Optional in-line blower delivers 1266 CFM

OPTIMAL SMOKE CAPTURE AREA

- Full grill coverage of 32" front to back
- 10" tall for increased capture area
- Double bank of S/S baffle filters for better capture

EASE OF OPERATION

- 3-speed blower control (internal blower models)
- Variable blower control (in-line/remote models)
- Dimmable 50-watt halogen lights
- Slip-resistant control knobs

DISTINCTIVE DESIGN

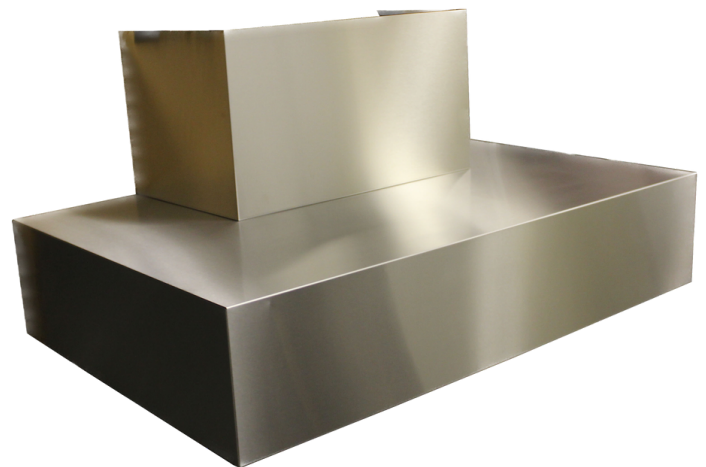
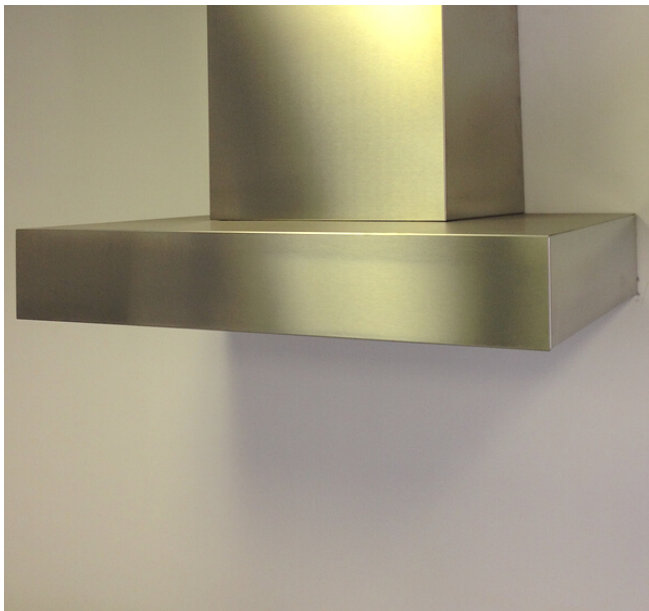
- Contemporary design with telescopic duct cover to 10' ceiling included
- Optional telescopic 12' ceiling duct cover

EASY CLEANING

- Dishwasher-safe commercial-style baffle filters with 2 easy-grip handles
- Detergent inlet holes and grease exit holes in baffle filters for superior dishwasher cleaning

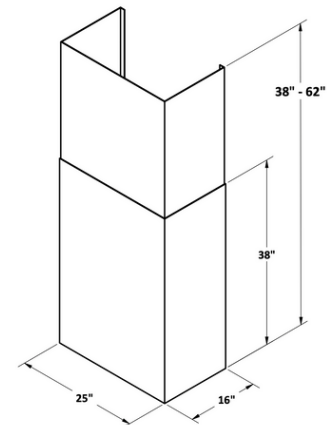
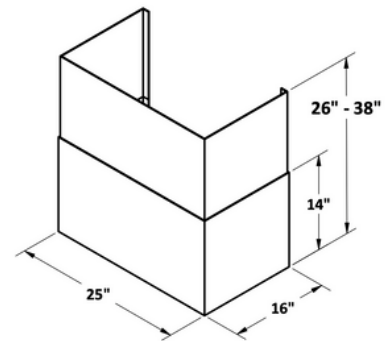
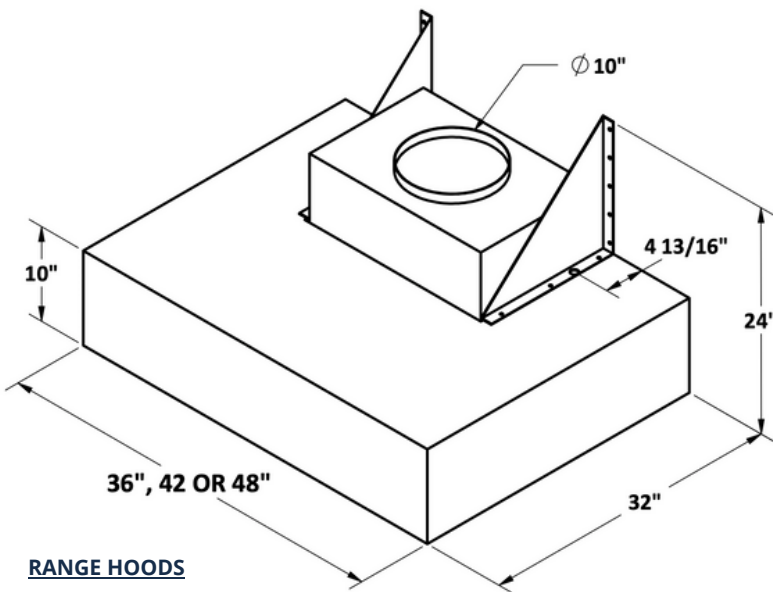
ENDURING QUALITY

- Commercial grade stainless steel (#304 grade) and galvanized steel construction



MODEL	FRONT TO BACK	WIDTH	COLOR	CFM	3-SPEED INTERNAL BLOWER	IN-LINE OR REMOTE BLOWER	HALOGEN LIGHTS	S/S BAFFLE FILTERS	DUCT COLLAR	DIMMABLE LIGHT CONTROL
T7236	32"	36"	S/S			✓	2	✓	10"	✓
T7236-12	32"	36"	S/S	1200	✓		2	✓	10"	✓
*T723612EXT	32"	36"	S/S	1200	✓		2	✓	10"	✓
T7242	32"	42"	S/S			✓	2	✓	10"	✓
T7242-12	32"	42"	S/S	1200	✓		2	✓	10"	✓
*T724212EXT	32"	42"	S/S	1200	✓		2	✓	10"	✓
T7248	32"	48"	S/S			✓	3	✓	10"	✓
T7248-12	32"	48"	S/S	1200	✓		3	✓	10"	✓
*T724812EXT	32"	48"	S/S	1200	✓		3	✓	10"	✓

*EXT MODELS COME WITH TELESCOPIC DUCT COVER TO 12' CEILING



800 WEST GRANT STREET
PHOENIX, AZ 85007
1-800-955-5737
602-900-8500
T-WUSA.COM



Trade-Wind Manufacturing, LLC has a policy of continuous improvements and reserves the right to modify (at any time without notice) any or all of its products, features, designs, components and specifications. For further information on installation and wiring, see the installation instructions included with the product or visit us on the web.

© 2023 TRADE-WIND MANUFACTURING, LLC

PERFORMANCE · QUALITY · CUSTOMER SERVICE

INDUSTRY LEADING PERFORMANCE

- 1200 CFM internal blower in 36", 42", and 48" models
- 2300 CFM internal blowers in 54", 60", 66", and 72" models
- Optional in-line blower delivers 1266 CFM

EASE OF OPERATION

- 3-speed blower control (internal blower models)
- Variable blower control (in-line/remote models)
- Dimmable 50-watt halogen lights
- Slip-resistant control knobs

ENDURING QUALITY

- Commercial grade stainless steel (#304 grade) and galvanized steel construction

DISTINCTIVE DESIGN

- Design of the S/S commercial-style baffle filters adds a professional form and superior performance
- Allows personal selection of hood shape and finishes

OPTIMAL SMOKE CAPTURE AREA

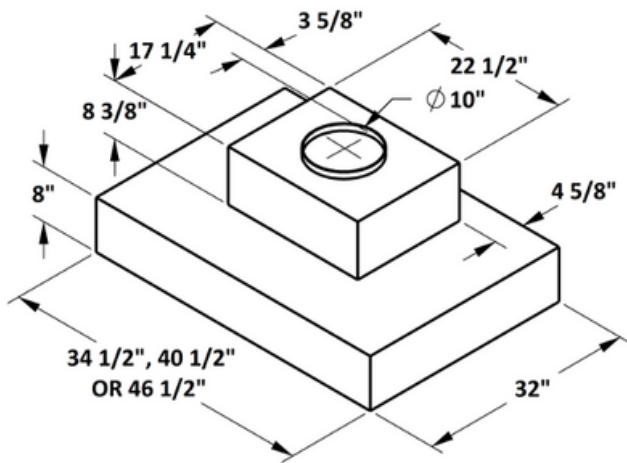
- Full grill coverage of 32" front to back
- 8" tall for increased capture area
- Double bank of S/S baffle filters for better capture

EASY CLEANING

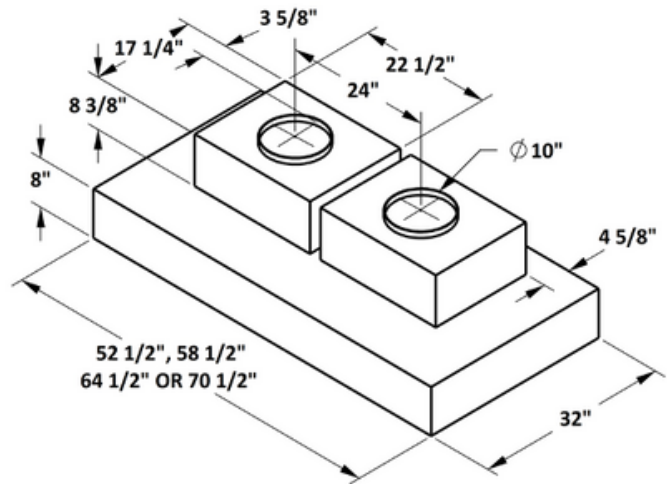
- Dishwasher-safe commercial-style baffle filters with 2 easy-grip handles
- Detergent inlet holes and grease exit holes in baffle filters for superior dishwasher cleaning



MODEL	DRAWING BELOW	FRONT TO BACK	WIDTH	COLOR	CFM	3-SPEED INTERNAL BLOWER	IN-LINE OR REMOTE BLOWER	HALOGEN LIGHTS	S/S BAFFLE FILTERS	DUCT COLLAR	DIMMABLE LIGHT CONTROL
L7236	A	32"	34 ½"	S/S			✓	2	✓	10"	✓
L7236-12	A	32"	34 ½"	S/S	1200	✓		2	✓	10"	✓
L7242	A	32"	40 ½"	S/S			✓	2	✓	10"	✓
L7242-12	A	32"	40 ½"	S/S	1200	✓		2	✓	10"	✓
L7248	A	32"	46 ½"	S/S			✓	3	✓	10"	✓
L7248-12	A	32"	46 ½"	S/S	1200	✓		3	✓	10"	✓
L7254	B	32"	52 ½"	S/S			✓	3	✓	2 X 10"	✓
L7254-23	B	32"	52 ½"	S/S	2300	✓		3	✓	2 X 10"	✓
L7260	B	32"	58 ½"	S/S			✓	4	✓	2 X 10"	✓
L7260-23	B	32"	58 ½"	S/S	2300	✓		4	✓	2 X 10"	✓
L7266	B	32"	64 ½"	S/S			✓	4	✓	2 X 10"	✓
L7266-23	B	32"	64 ½"	S/S	2300	✓		4	✓	2 X 10"	✓
L7272	B	32"	70 ½"	S/S			✓	4	✓	2 X 10"	✓
L7272-23	B	32"	70 ½"	S/S	2300	✓		4	✓	2 X 10"	✓



A. GRILL LINERS (34 ½", 40 ½", 46 ½")



B. GRILL LINERS (52 ½", 58 ½", 64 ½", 70 ½")



800 WEST GRANT STREET
PHOENIX, AZ 85007
1-800-955-5737
602-900-8500
T - WUSA.COM



Trade-Wind Manufacturing, LLC has a policy of continuous improvements and reserves the right to modify (at any time without notice) any or all of its products, features, designs, components and specifications. For further information on installation and wiring, see the installation instructions included with the product or visit us on the web.

PERFORMANCE · QUALITY · CUSTOMER SERVICE

TRADE-WIND® KITCHEN VENTILATION PRODUCTS

What IS Covered:

Trade-Wind Manufacturing, LLC® warrants its **Trade-Wind®** Kitchen Ventilation Products to the original user to be free of defects in materials and workmanship for three (3) years from the date of purchase.

Trade-Wind Manufacturing, LLC®, at its option, will repair or replace the complete unit or any defective component without charge. This warranty may be voided if any unauthorized service, alterations, or repairs are made to the product.

What is NOT Covered:

- Normal maintenance and service of any product that has been subject to misuse, negligence, accident, or installation inconsistent with the recommended Trade-Wind® Installation Instructions and Trade-Wind® Best Practices Guidelines.
- Product used other than for normal in-home use or products used outside of the United States and Canada.
- Damage to the product caused by accident, fire, flood, or other acts of God.
- Service calls to educate the customer in the proper use and care of the product, change fuses, or to reset the circuit breakers.
- Service calls to correct faulty installation, such as performance issues relating to improperly sized ducting or restrictive roof caps, are not covered and will, by default, be charged back to the Homeowner.
- Light bulbs are not covered under warranty.

Trade-Wind Manufacturing, LLC® disclaims and excludes any liability for implied warranties or for incidental or consequential damages wherever permitted by law. There are no implied warranties of merchantability or fitness for a particular use or purpose. This warranty gives you specific legal rights, and you may also have other rights, which vary from state to state.

For Service: If you need service on your **Trade-Wind®** Kitchen Ventilation Product, visit our website at: www.t-wusa.com and click on the warranty tab. Fill out the simple form providing the model number, serial number, date of purchase, and brief description of the problem. Proof of purchase will also be required.

WARRANTY REVISED: JANUARY 1, 2023

For more information, please contact your dealer or your Trade-Wind® representative.



800 WEST GRANT STREET
PHOENIX, AZ 85007
1-800-955-5737
602-900-8500
T - W U S A . C O M



Trade-Wind Manufacturing, LLC has a policy of continuous improvements and reserves the right to modify (at any time without notice) any or all of its products, features, designs, components and specifications. For further information on installation and wiring, see the installation instructions included with the product or visit us on the web.

INTENTIONALLY LEFT BLANK