

# DST SERIES

**RE-VERBER-RAY**®

by Detroit Radiant Products Company

*Designer Series*

## GAS-FIRED, LOW-INTENSITY INFRARED PATIO HEATER

Top-of-the-line patio heater with an aesthetically pleasing, modern design featuring our patented two-stage technology.

The Designer Series Tube heater combines application flexibility with a chic, modern design. This low-intensity tube heater is specifically designed for comfort, reliability and ease of installation to deliver the desired amount of warmth across a vast number of hard-to-heat applications.



### BENEFITS OF HEATING WITH INFRARED

- Superior Comfort
- Reduced Energy Consumption
- Flexibility
- Durability
- Radiant Efficiency








### PRODUCT FEATURES

- Patented two-stage operation
- Pre- and post-purge controls
- Self-diagnostic LED, microprocessor based circuitry
- 26 linear feet of radiant tube in a 10-foot span provides increased efficiency and heat output
- Unified control panel with easy access and serviceability
- 430 series stainless steel housing
- Highly polished internal reflector and 3/4" modular grille for enhanced radiant output

# DST SERIES

GAS-FIRED, LOW-INTENSITY INFRARED PATIO HEATER

## PRODUCT SPECIFICATIONS

- 
**Input Range:**  
40,000 to 80,000 BTU/h
- 
**Length:**  
119"
- 
**Gas Type:**  
Natural (3.5" W.C.) or Propane (10.0" W.C.)
- 
**Radiant Tubes:**  
4" O.D., 26 linear feet.  
.95 Emissive Black Coated Aluminized Steel
- 
**Certification:**  
CSA, 60 MBH Certified for Commercial/Industrial Indoor & Outdoor Use and Residential Outdoor Only  
80MBH for Commercial/Industrial Outdoor Use Only
- 
**Limited Warranty:**  
3 (Internal Components) - 5 (Tubes) - 10 (Burner)
- 
**Electrical:**  
120V, 60 Hz. 24V Control  
Amps: 5.2 Starting, 0.7 Running

## AVAILABLE DST MODELS & CLEARANCES

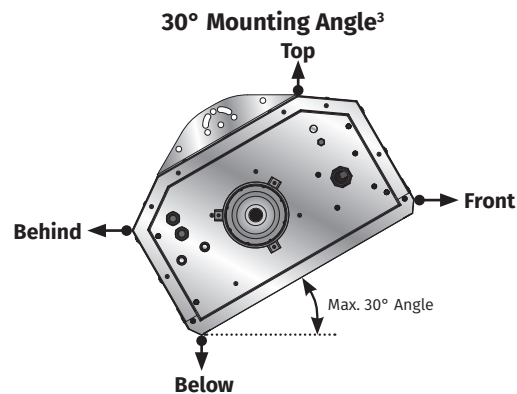
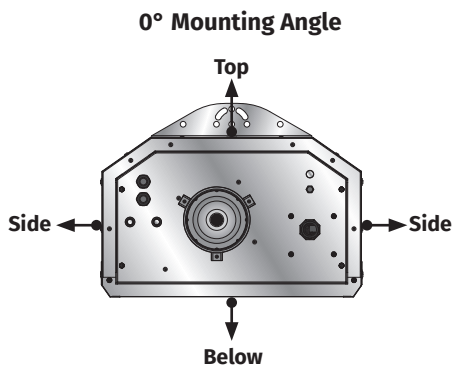
MODEL #	GAS <sup>1</sup>	BTU/h HIGH FIRE	BTU/h LOW FIRE	LENGTH	WEIGHT	MOUNTING HEIGHTS <sup>2</sup>	CLEARANCES TO COMBUSTIBLES (INCHES)	MOUNTING ANGLE <sup>3</sup>	SIDE	TOP	BELOW
DST-60N	Natural Gas	60,000	40,000	119"	150 lbs	8' to 13'		0°	19	12	66
DST-60P	Propane	60,000	50,000	119"	150 lbs	8' to 13'		0°	19	12	66
DST-80N	Natural Gas	80,000	50,000	119"	150 lbs	9' to 14'		0°	26	15	77

<sup>1</sup> Specify natural (Nat) or propane (Prop) gas.

<sup>2</sup> The minimum mounting height is 79" above floor level. Factory recommended mounting heights are provided as a guideline. Actual conditions may dictate variations from the above data.

<sup>3</sup> Refer to DST Manual for additional information about clearances for 30° Mounting Angle.

Always maintain the published clearances to combustibles. Not for indoor residential use. Clearances published in DST Series manual and on warning label supersede data shown on this brochure.



21400 Hoover Road, Warren, Michigan 48089 USA  
+1.586.756.0950 | sales@drp-co.com

[www.REVERBERRY.com](http://www.REVERBERRY.com)



Form No. LBDST-1M-0418 (PM)

